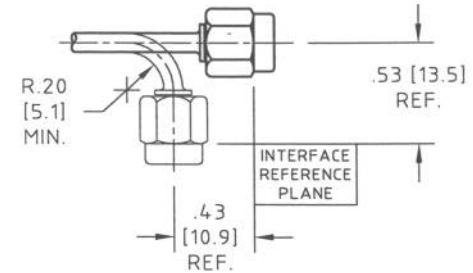
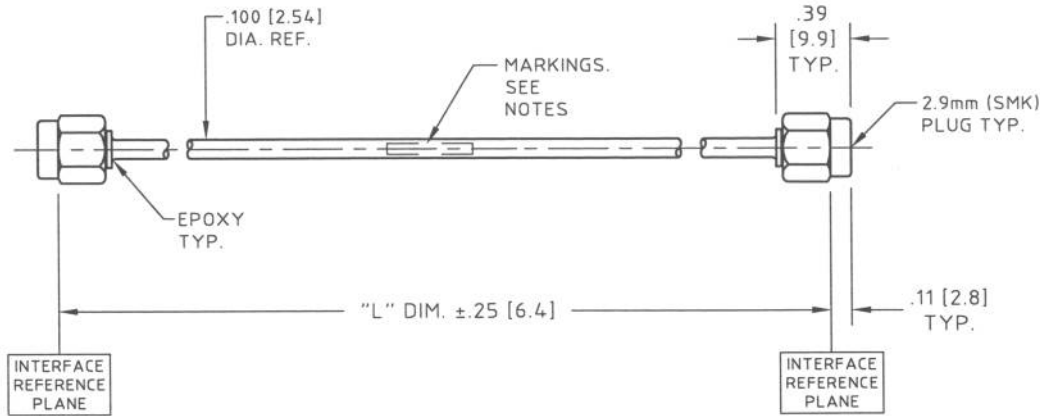


CONTROL DRAWING

minibend KR-xxHT

C



SHOWN ABOVE IS TYPICAL INSTALLATION.

H+S Astrolab PART NUMBER	DIMENSION "L" IN [mm]	2.0 GHz		26.5 GHz		40.0 GHz	
		VSWR	IL, dB	VSWR	IL, dB	VSWR	IL, dB
minibend KR-2.5HT	2.50 [63.5]	1.20:1	0.18	1.45:1	0.62	1.50:1	0.88
minibend KR-3HT	3.00 [76.2]	1.20:1	0.19	1.45:1	0.68	1.50:1	0.96
minibend KR-3.5HT	3.50 [88.9]	1.20:1	0.21	1.45:1	0.74	1.50:1	1.03
minibend KR-4HT	4.00 [101.6]	1.20:1	0.23	1.45:1	0.80	1.50:1	1.10
minibend KR-4.5HT	4.50 [114.3]	1.20:1	0.24	1.45:1	0.86	1.50:1	1.17
minibend KR-5HT	5.00 [127.0]	1.20:1	0.26	1.45:1	0.92	1.50:1	1.25
minibend KR-5.5HT	5.50 [139.7]	1.20:1	0.27	1.45:1	0.98	1.50:1	1.32
minibend KR-6HT	6.00 [152.4]	1.20:1	0.29	1.45:1	1.04	1.50:1	1.39
minibend KR-7HT	7.00 [177.8]	1.20:1	0.32	1.45:1	1.17	1.50:1	1.54
minibend KR-8HT	8.00 [203.2]	1.20:1	0.35	1.45:1	1.29	1.50:1	1.68
minibend KR-9HT	9.00 [228.6]	1.20:1	0.38	1.45:1	1.41	1.50:1	1.83
minibend KR-10HT	10.00 [254.0]	1.20:1	0.41	1.45:1	1.53	1.50:1	1.97
minibend KR-11HT	11.00 [279.4]	1.20:1	0.44	1.45:1	1.65	1.50:1	2.12
minibend KR-12HT	12.00 [304.8]	1.20:1	0.47	1.45:1	1.78	1.50:1	2.26
minibend KR-13HT	13.00 [330.2]	1.20:1	0.50	1.45:1	1.90	1.50:1	2.41
minibend KR-14HT	14.00 [355.6]	1.20:1	0.53	1.45:1	2.02	1.50:1	2.55
minibend KR-15HT	15.00 [381.0]	1.20:1	0.57	1.45:1	2.14	1.50:1	2.70
minibend KR-16HT	16.00 [406.4]	1.20:1	0.60	1.45:1	2.26	1.50:1	2.84
minibend KR- HT							

NOTES:

- DESCRIPTION,
CABLE ASSEMBLY, 2.9mm (SMK) PLUG TO 2.9mm (SMK) PLUG.
- CABLE,
COAXIAL CABLE H+S Astrolab P/N 32081E MEETS OR EXCEEDS MIL-DTL-17 SEE H+S Astrolab CONTROL DRAWING FOR MATERIALS AND FINISHES.
- CONNECTOR - A-, 2.9mm (SMK) PLUG:
H+S Astrolab P/N 29094HTKCR-32-81 IAW MIL-STD-348.
SEE H+S Astrolab CONTROL DRAWING FOR MATERIALS AND FINISHES.
- CONNECTOR - B-, 2.9mm (SMK) PLUG:
SAME AS CONNECTOR - A-.


NOTES CONTINUED:

- MARKING:
MARKING APPROXIMATELY CENTERED, DIRECTLY ON CABLE, H+S Astrolab PART NUMBER AND DATE CODE.
NO MARKING ON CABLE ASSEMBLIES SHORTER THAN 3.00"
MARKING ON PACKING ONLY.
- ELECTRICAL CHARACTERISTICS:
IMPEDANCE,
50.0 Ohms NOMINAL.
FREQUENCY, INSERTION LOSS AND VSWR
SEE CHART.
- MECHANICAL:
OPERATING TEMPERATURE RANGE,
-55° C TO +125° C.
PULL STRENGTH TO 25.0 LBs [111 N].

ROHS 6 COMPLIANT

UNLESS OTHERWISE SPECIFIED
CONCENTRICITY .004 T.I.R.
CORNERS AND FILLETS .005
MAX. RADIUS OR CHAMFER.
SURFACE FINISH 63 RMS
MICROINCHES OR BETTER.

FRACTIONS	± 1/32
X	± .015
XX	± .010
XXX	± .005
ANGLES	± 1°
DO NOT SCALE DRAWING	

NAME	DATE			
PREP. EB	11/26/12			
ELEC.				
MECH. GSG	11/26/12			
Q.C.		THIS DRAWING CONTAINS PATENTABLE AND PROPRIETARY INFORMATION. THE DESIGN CANNOT BE USED WITHOUT WRITTEN PERMISSION OF HUBER + SUHNER ASTROLAB.		
TITLE				
CABLE ASSEMBLY, 2.9mm PLUG TO 2.9mm PLUG, RUGGEDIZED				
THDS. TO BE IN ACCORD WITH U.S. DEPT. OF COMM. SCREW THD. STDS. FOR FEDERAL SERVICES 1950 SUPL. TO HANDBOOK H 28.	SCALE 1:1	CODE IDENT. 16301	DWG NO. minibend KR-xxHT	REV C

C	"RoHS 6" WAS "RoHS 5/6"	01/24/13	EF	APPROVED
REV.	DESCRIPTION	DATE	BY	APPROVED