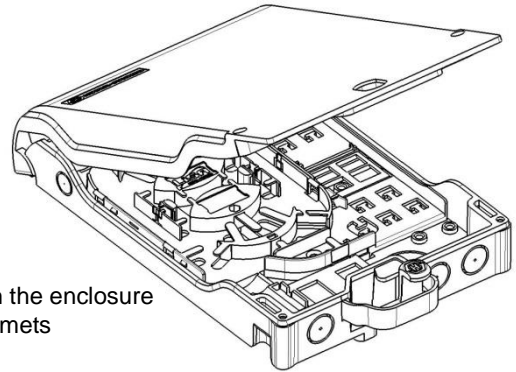


Wall boxes plastic Optibox 4

Description

Characteristics

- straightforward mounting splicing and patching box, consisting of base, fiber tray and cover
- detachable fiber management tray (fiber inlay)
- up to 4 adapters in SC shape (LC, LX.5, SC, E-2000TM)
- adapters / connectors can be mounted inside or outside of the enclosure
- storage of uncut fibers in single element technology
- radius protected fiber over length storage of 28mm
- Pigtail to Pigtail configuration
- special storage position for unused fibers
- two different levels sharing up to 12 splices
- 1 cable entry, 4 cable exit of which one is bending radius protected through the enclosure
- outside cable entries and exit are sealed with hinged half- shell cable grommets
- key lockable cover is individually lead sealable
- Telekom (Service)- and user area are dividable and sealable
- UV radiation resistant housing
- enclosure impermeability matches the requirement of moderate outdoor applications (IP54)



Optibox 4 is a fiber optic distribution and termination enclosure, which is used for splicing, patching and to perform with passive optical components.

The straightforward mounting box has its main use in telecommunication (Fiber to the Home) and is specially designed for indoor or outdoor deployment (IP 54). In order to protect the fibers from bending or environmental influence, conventional loose tube cables as well as micro cables or conduits of blow-in systems can be fastened to the inside of the box. Further, there can be fastened various gas blocking systems, MASTERLINE Quick, or MASTERLINE Push-Fit inside the box.

Technical data

Construction

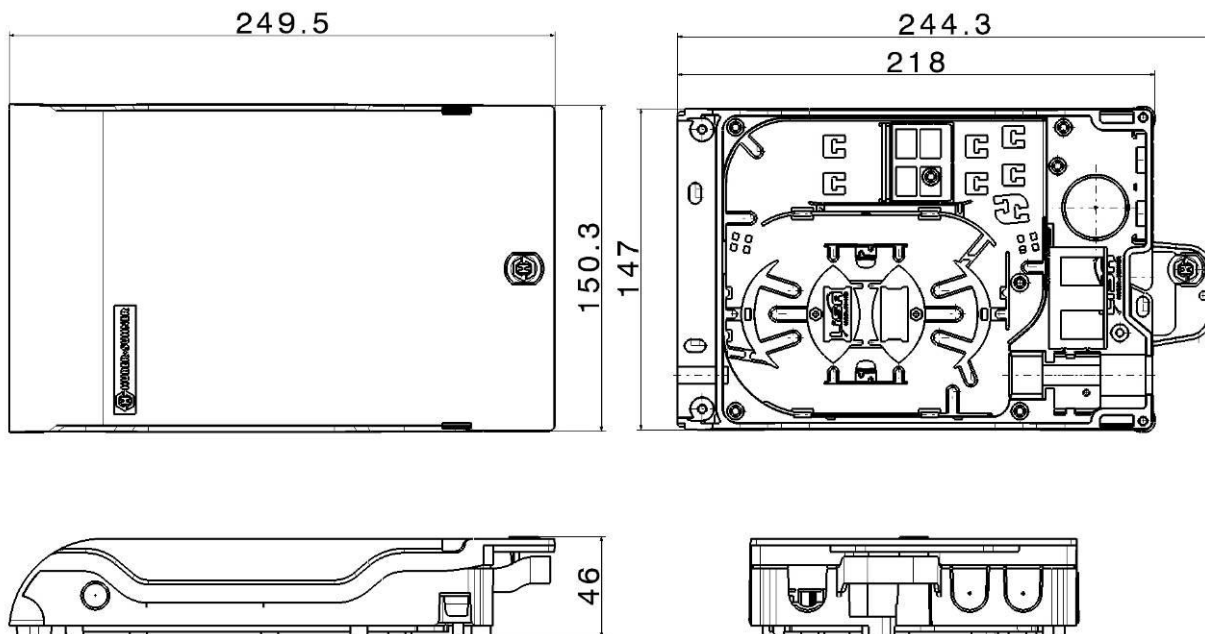
Description	Values	
Dimensions (W x L x H)	150 x 250 x 46 mm	5.9 x 9.84 x 1.81 inch
Capacity: detachable optical connections (inside)	8x LC and LX.5, 4x SC and E-2000TM	
non detachable optical connections	24x sandwich-, 12x heat shrink splice protection	
Dimension (Ø) cable entry / exit	3-12mm	0.11-0.62 inch
Material: enclosure (cover / base)	PC	
fiber inlay / extension tray / add-on lid	PC/ ABS	
enclosure sealing	TPE, shore 50A	
Lock (cylinder quarter turn lock)	GD-Zn chrome-plated	
Weight: enclosure	436gr.	0.96 lbs
Color: enclosure (cover / base)	RAL 9016, traffic white	
Fiber inlay / extension tray / add-on lid	RAL 9002, grey white	
Ingress protection degree (EN60529)	IP54	
Resistance to Impact (EN62262)	IK08	

Wall boxes plastic Optibox 4

Mechanical and environmental data

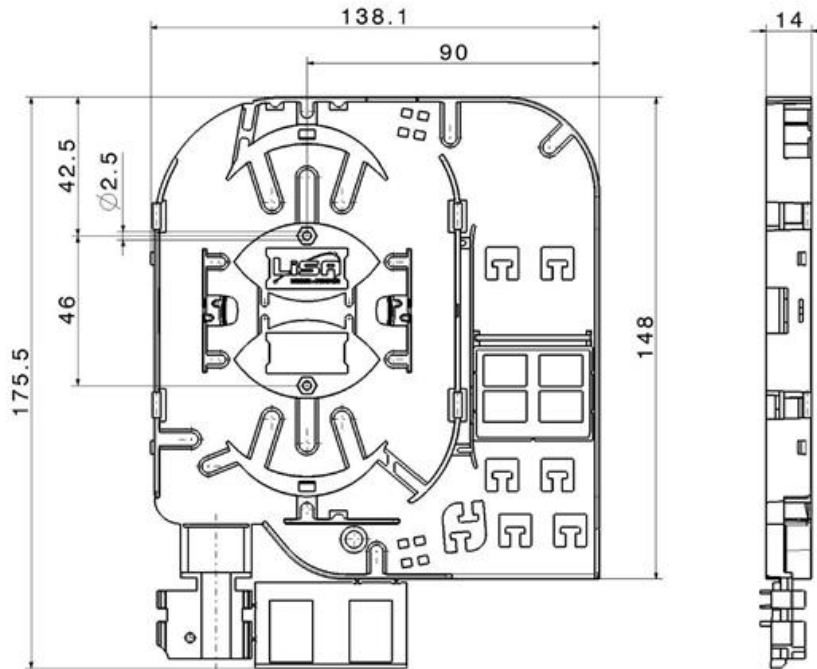
Description		Values
Temperature Resistance	Celsius	-46° ... +120°C
Short-term use	Fahrenheit	50° ... 250°F
Temperature Resistance	Celsius	-46° ... +81°C
Long-term use	Fahrenheit	50° ... 178°F
Insulation		fully insulated
Flammability rating	enclosure (cover / base)	UL 94V-0
	fiber inlay / extension tray / add-on lid	UL 94V-0
UV Resistance	enclosure (cover / base)	resistant
	fiber inlay / extension tray / add-on lid	limited resistant
Free of halogen		yes
Chemical Resistance		good
RoHS compliance		fully compliant

Technical data cable gland



Wall boxes plastic Optibox 4

fiber management tray:



Ordering information

Description	Item number
Optibox 4 empty	84076036

Related documents

Installation manual	DOC-0000294965
---------------------	----------------