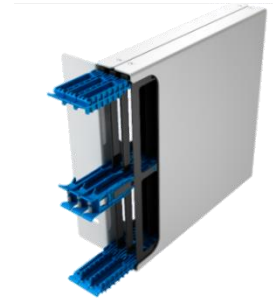


IANOS®

EDR (Equipment Distribution Rack) zero space chassis

Description

- Up to 6 x single modules or 3 x double modules / 36 x ports (LC duplex or MTP)
- Modules can be fitted from front or the rear of chassis
- Used in racks without available U space for fibre panels
- Allows in-rack fibre connectivity without consuming valuable rack space
- Suitable for either left or right handed cabinet rail with free space to the side
- Open fixing slots for accurate adjustment to cabinet rail
- Same modules for all IANOS EDR applications



Technical data

Description	Value
Product family	IANOS
Mounting type	Standard 19" rails
Dimensions (W x D x H)	88 x 285 x 215 mm / 3.5 x 11.2 x 8.5 in
Weight	1.95kg / 68.78. Oz
Material	Chassis and drawers: stainless steel powder coated Other components: PC/ABS
Colour	Grey housing (RAL 7047) with blue control elements
Capacity	up to 6 x single IANOS modules
Density	36 ports (LC duplex / MTP)

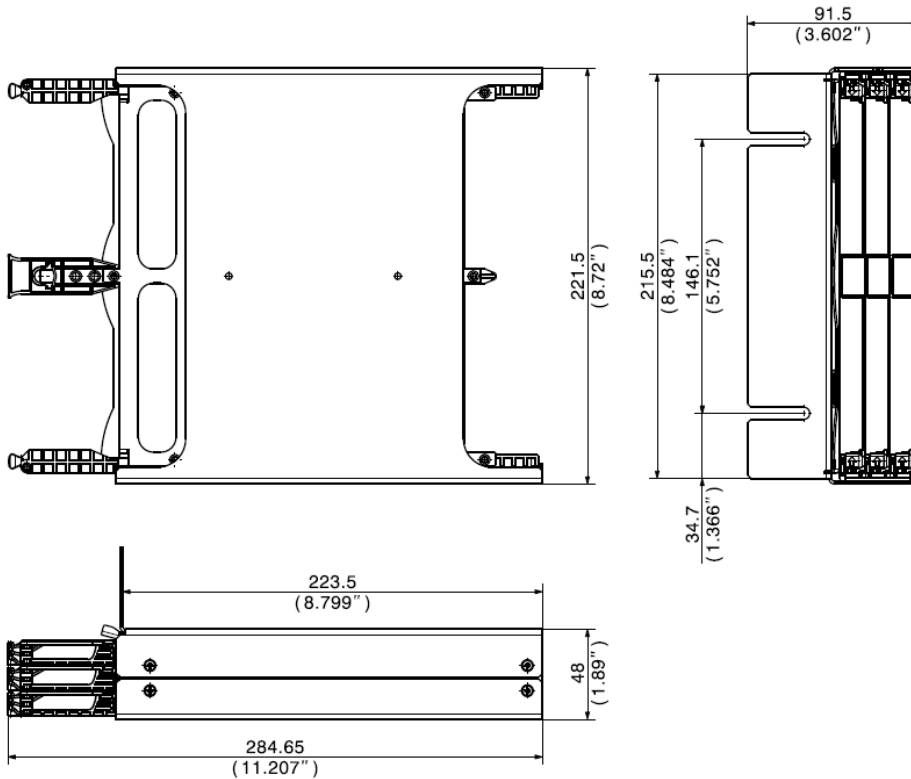
Environmental data

Characteristics	Value
Free of halogen	yes
2011/65/EC (RoHS)	fully compliant

IANOS®

EDR (Equipment Distribution Rack) zero space chassis

Technical drawing



Ordering information

Description	Item number
IANOS zero space chassis, grey/blue, for up to 6 x single IANOS modules	85069471

Chassis accessories

Description	Item number
IANOS blind module	85069493
IANOS Layer labels 1U set standard white	92020330
IANOS Layer labels 1U set redundant path green / orange	92020331
IANOS Central divider labels 1U / 4U	92020313

Related documents

Installation manual DOC-0000730269