

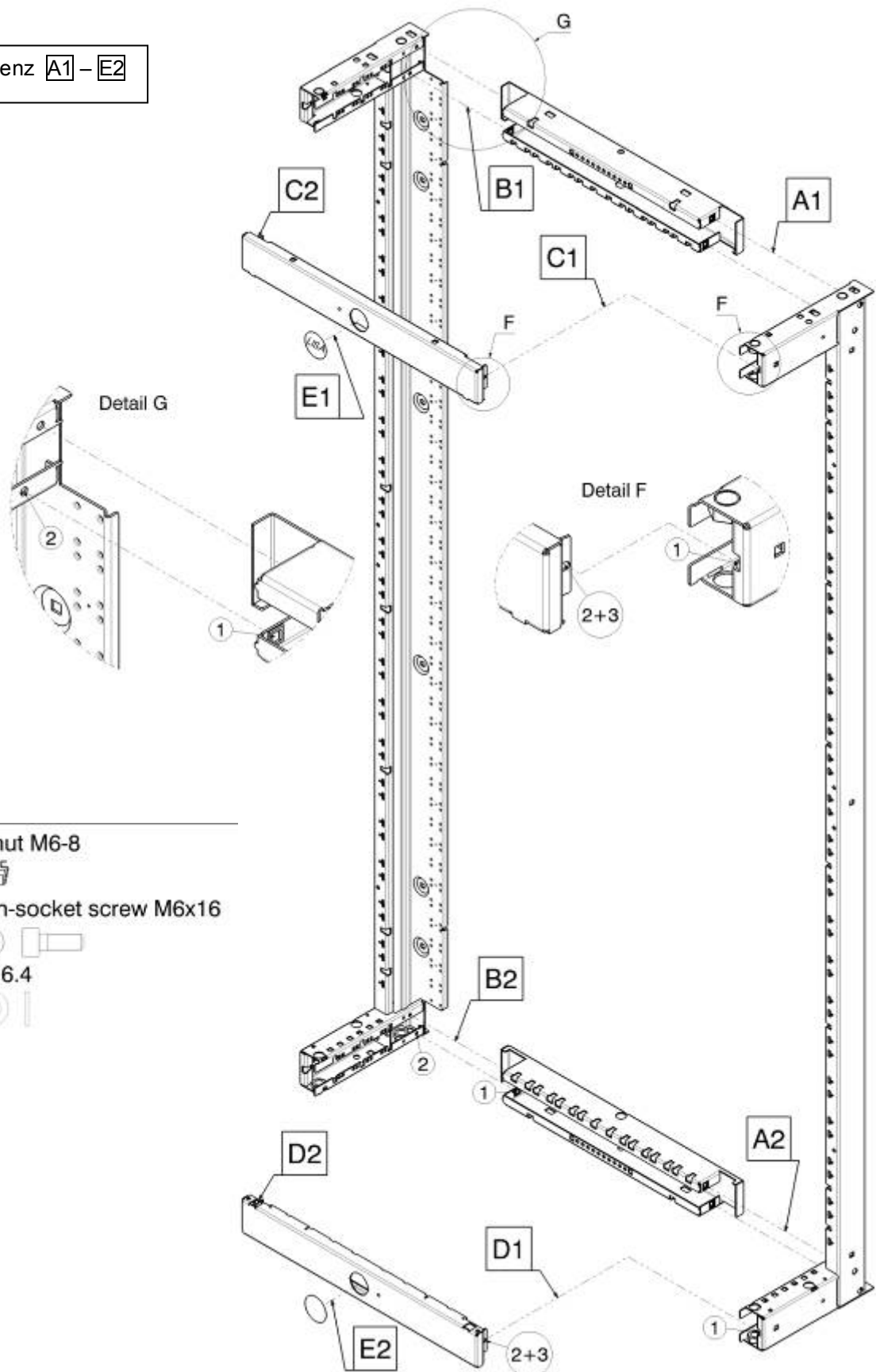





# Assembly Instruction · Montageanweisung NGR 6-18



- NGR Base frame
- NGR Basis Gestell

Mounting Sequenz **A1** – **E2**



- 1 Spring-nut M6-8  
12x 
- 2 Hexagon-socket screw M6x16  
12x 
- 3 Washer 6.4  
4x 

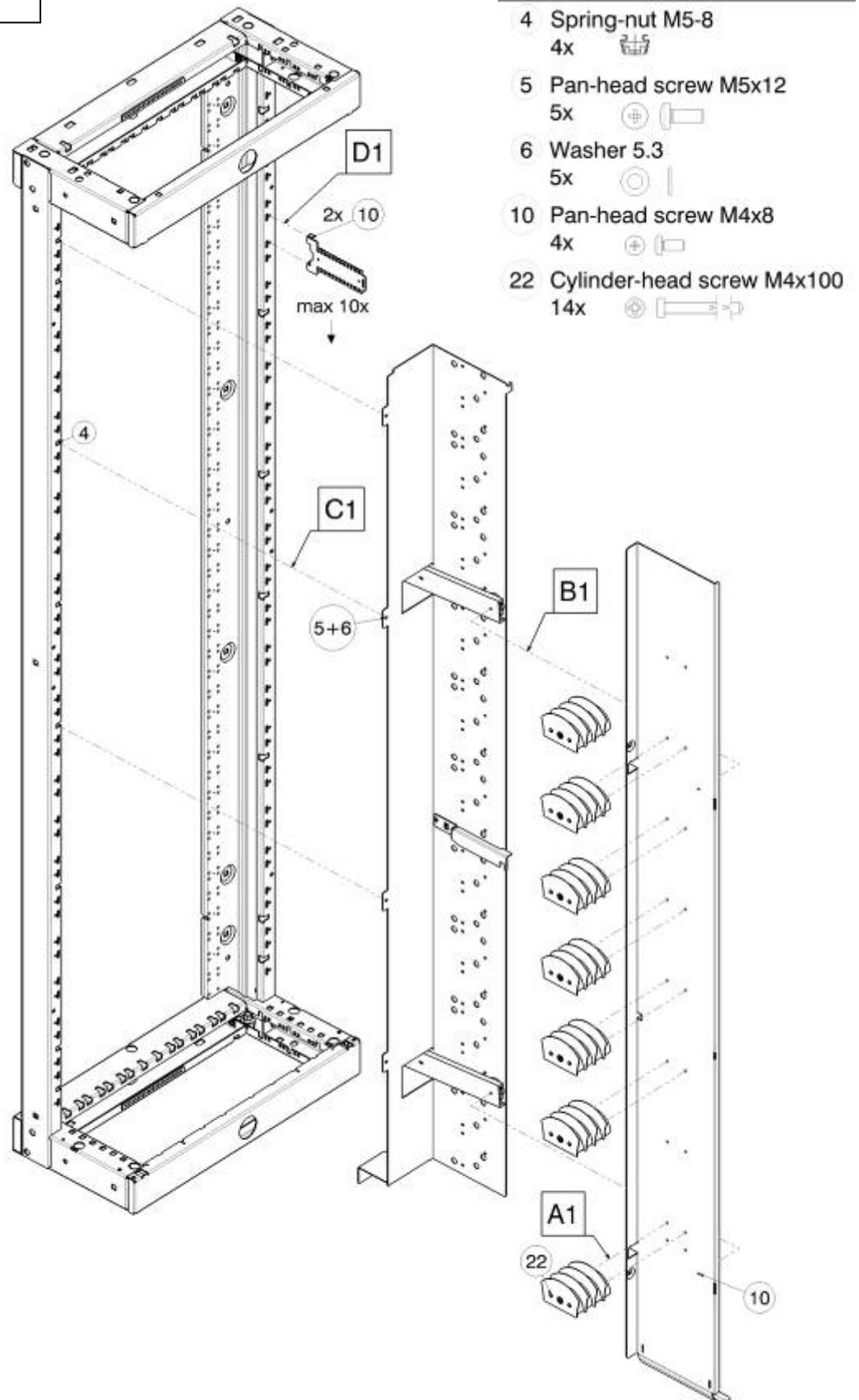


# Assembly Instruction · Montageanweisung NGR 6-18



- NGR Patch cord management

Mounting Sequenz **A1** – **D1**





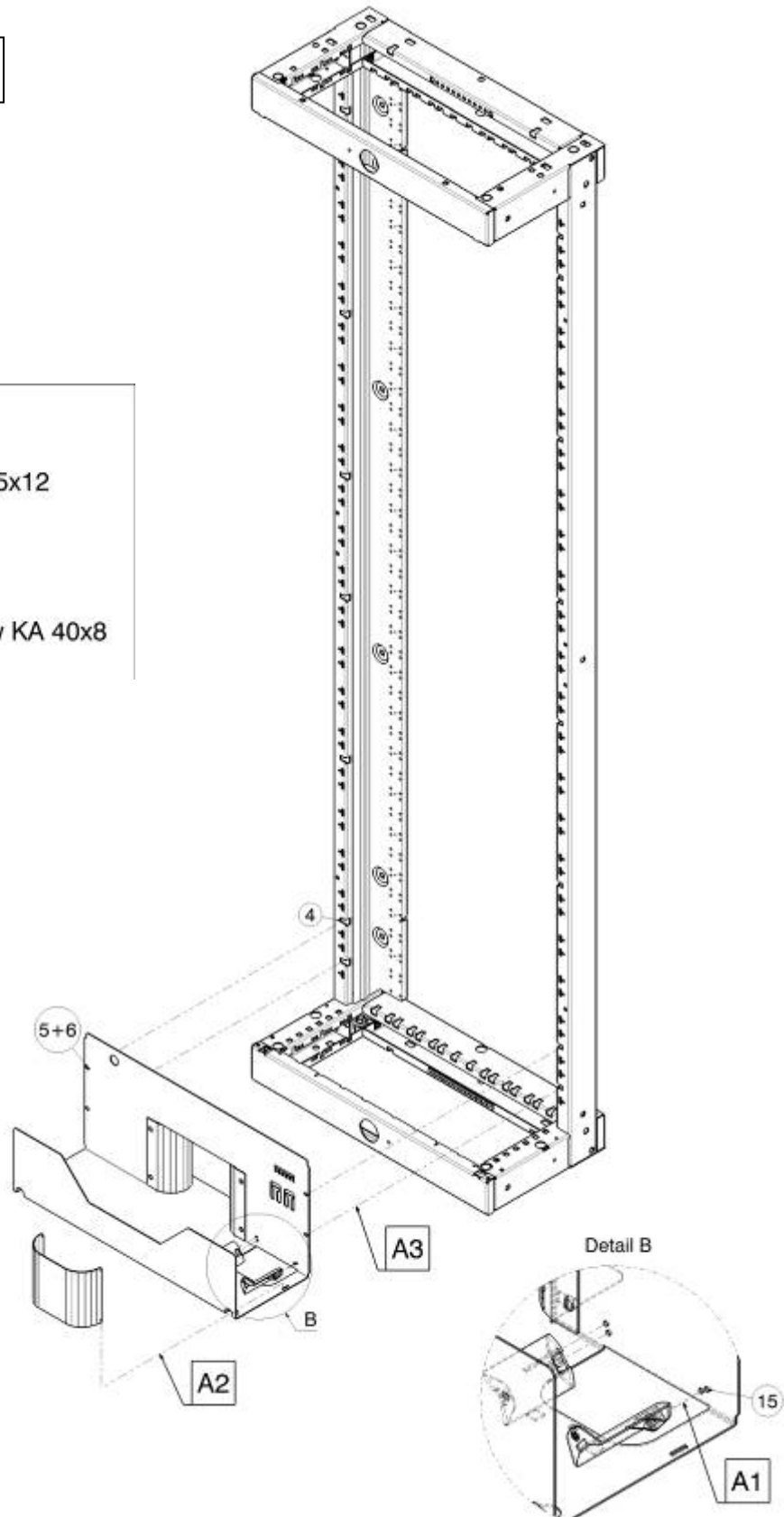
# Assembly Instruction · Montageanweisung NGR 6-22



- NGR Patch cord routing channel
- NGR Querrangierung

Mounting Sequenz **A1** – **A3**

- 4 Spring-nut M5-8  
4x 
- 5 Pan-head screw M5x12  
4x 
- 6 Washer 5.3  
4x 
- 15 PT Pan-head screw KA 40x8  
4x 





# Assembly Instruction · Montageanweisung NGR 6-18



- NGR Cross connect assembly
- NGR Auskreuzfeld

Mounting Sequenz **A1**

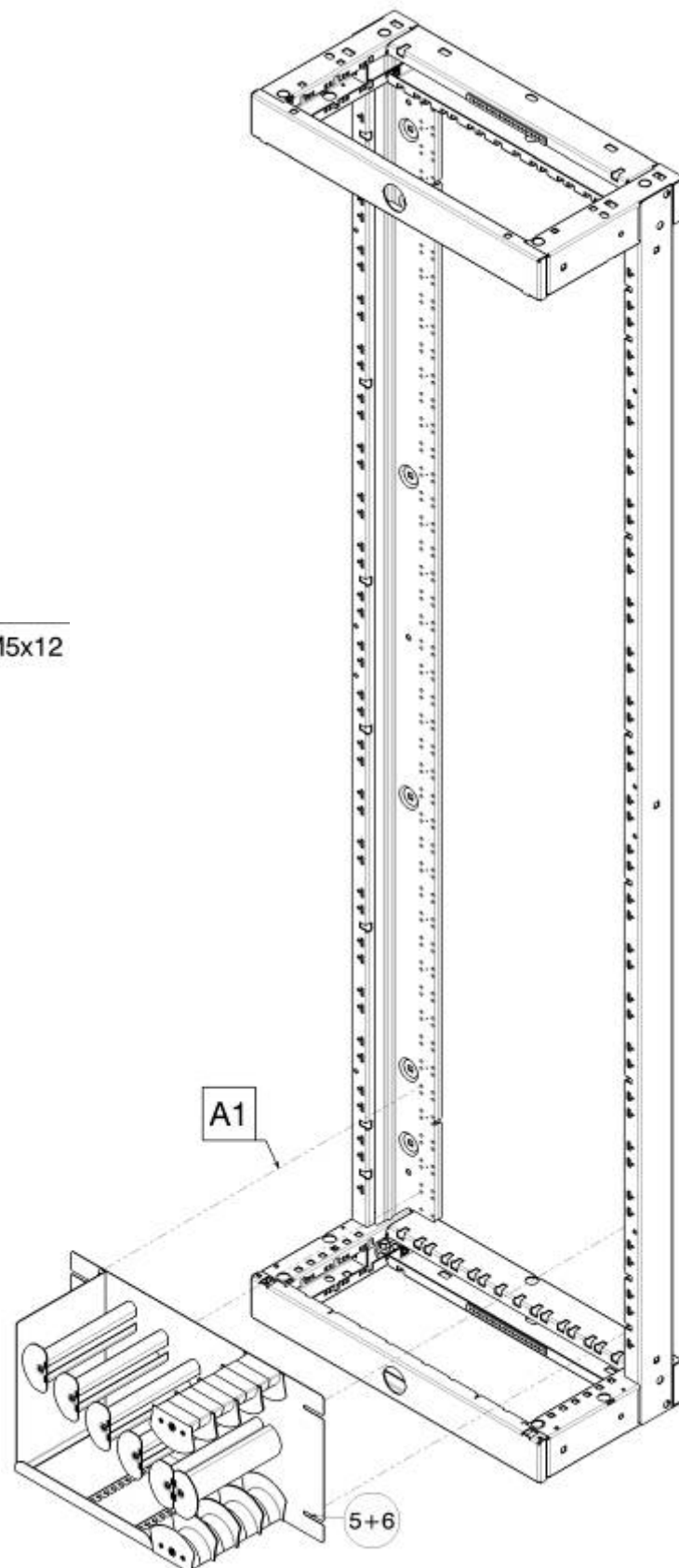
5 Pan-head screw M5x12

4x



6 Washer 5.3

4x





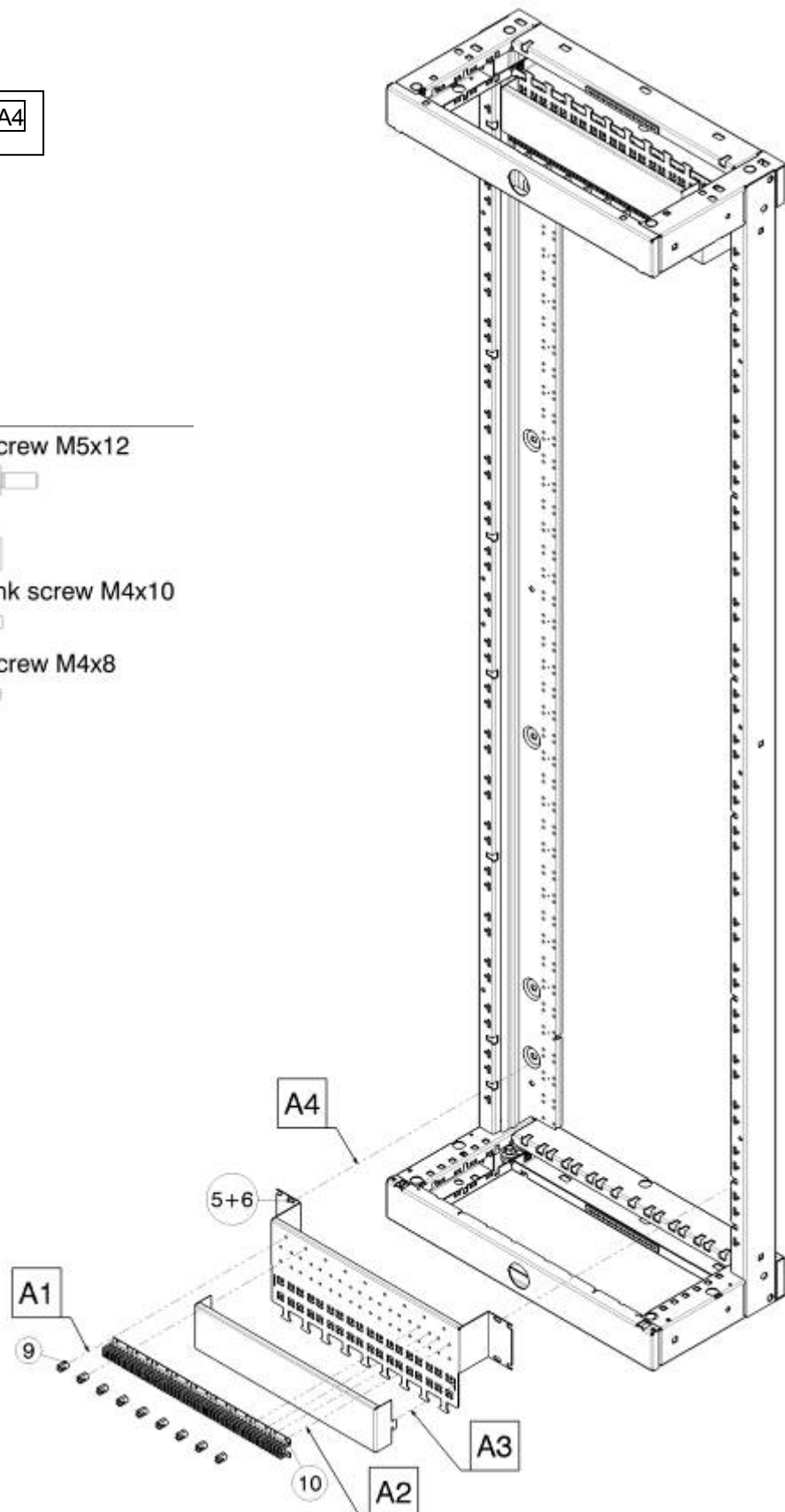
# Assembly Instruction · Montageanweisung NGR 6-18



- NGR Cable fixing 19"
- NGR Kabel Fixierung 19"

Mounting Sequenz **A1** – **A4**

- 
- 5 Pan-head screw M5x12  
4x
  - 6 Washer 5.3  
4x
  - 9 Counter-sunk screw M4x10  
9x
  - 10 Pan-head screw M4x8  
36x





# Assembly Instruction · Montageanweisung NGR 6-18



- NGR Cable entry
- NGR Kabeleingang

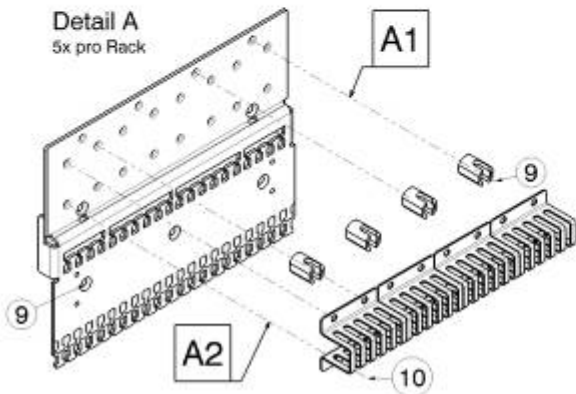
Mounting Sequenz **A1** – **A5**

8 Spring-nut M4-8  
3x

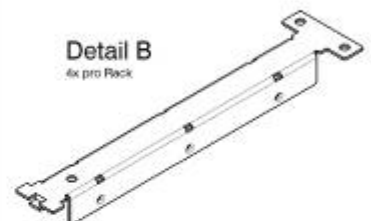
9 Countersunk screw M4x10  
7x

10 Pan-head screw M4x8  
16x

Detail A  
5x pro Rack

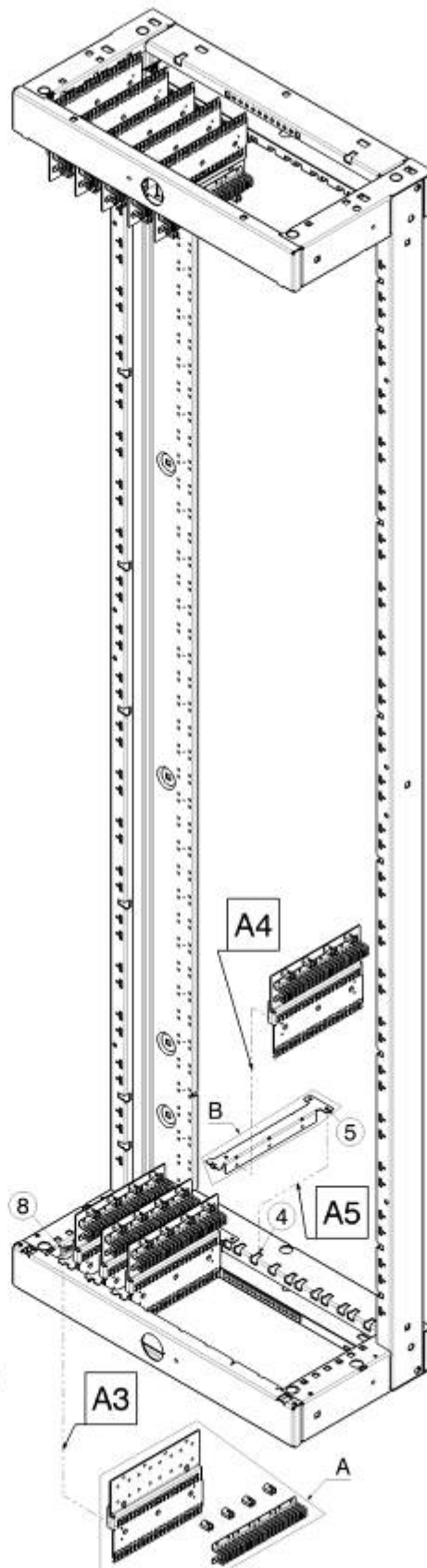


Detail B  
4x pro Rack



4 Spring-nut M5-8  
2x

5 Pan-head screw M5x12  
2x





## Assembly Instruction · Montageanweisung

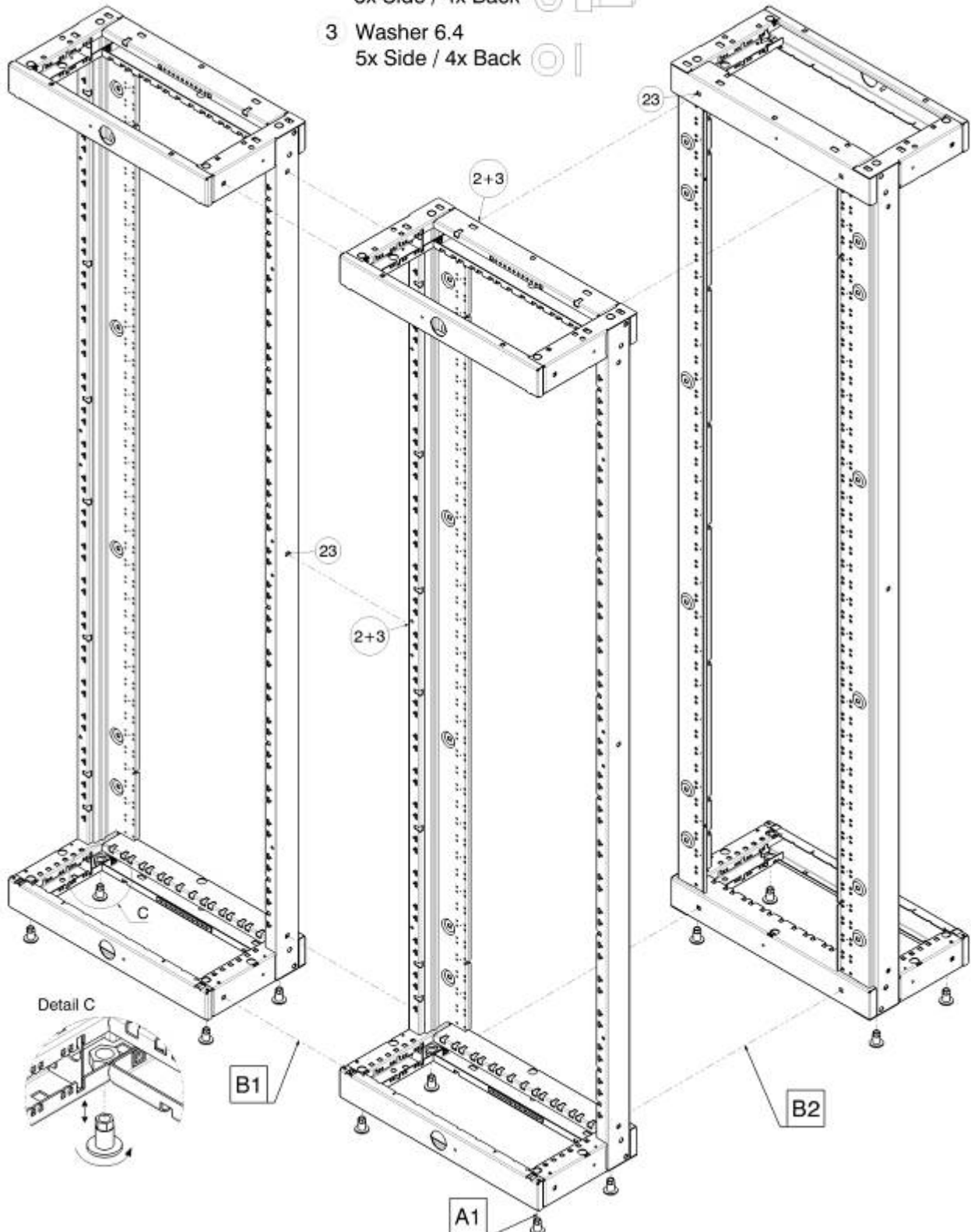
### NGR 6-18



- NGR Mounting side to side or back to back / levelling
- NGR Montage Seite an Seite oder Rücken an Rücken / Niveau ausgleichen

Mounting Sequenz **A1** – **B2**

- 23 Spring-nut M6 special  
5x Side / 4x Back
- 2 Hexagon-socket screw M6x16  
5x Side / 4x Back
- 3 Washer 6.4  
5x Side / 4x Back





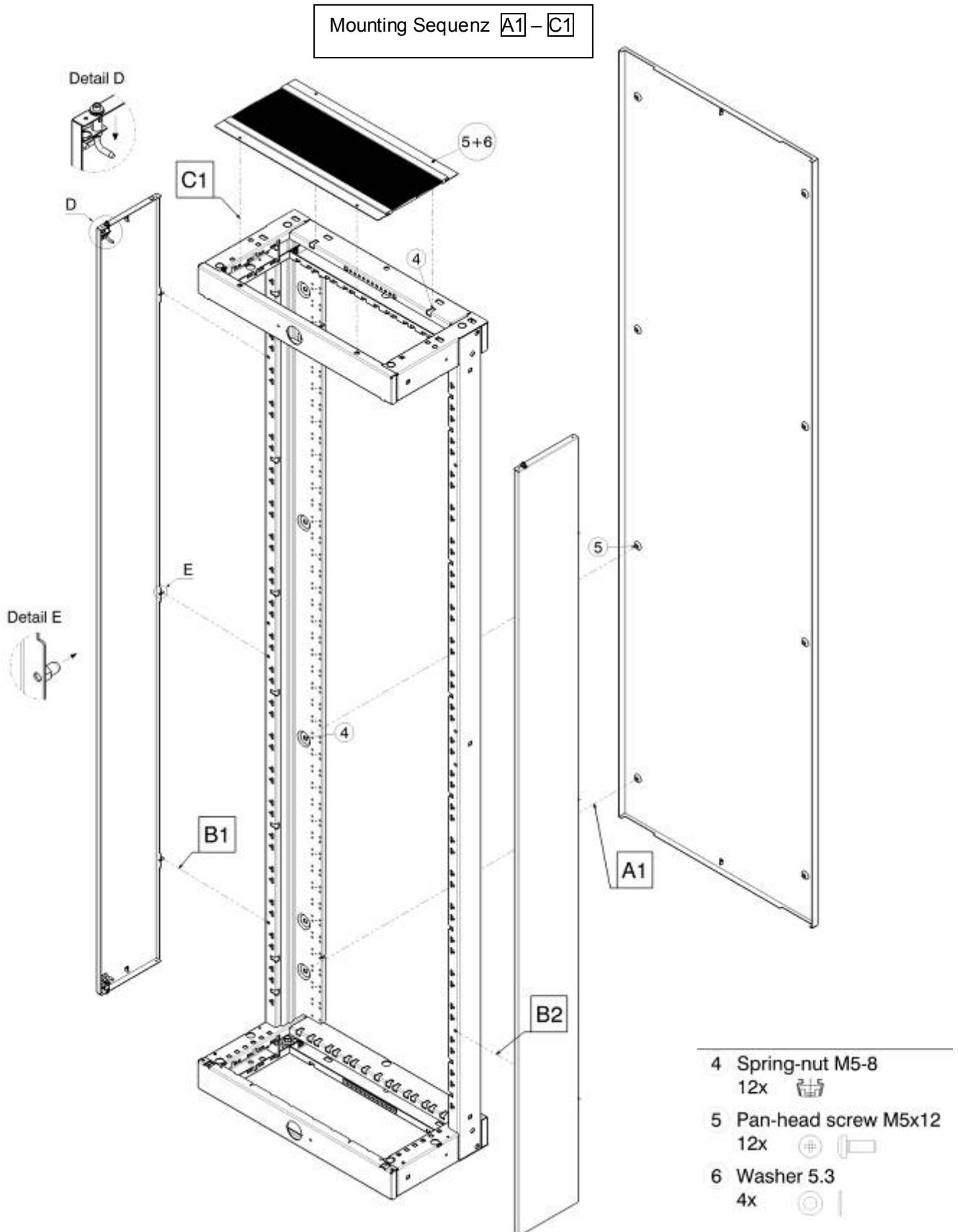
# Assembly Instruction · Montageanweisung

## NGR 6-18



- NGR Side and back walls / roof
- NGR Seiten- und Rückwand / Dach

Mounting Sequenz **A1** – **C1**







## Assembly Instruction · Montageanweisung

### NGR 6-18



- NGR Front doors / wall or ceiling fixation
- NGR Fronttüren / Wand- oder Deckenbefestigung

Mounting Sequenz **A1** – **B1**

12 Spring-nut M8  
4x



13 Hexagon-head screw M8x12  
4x



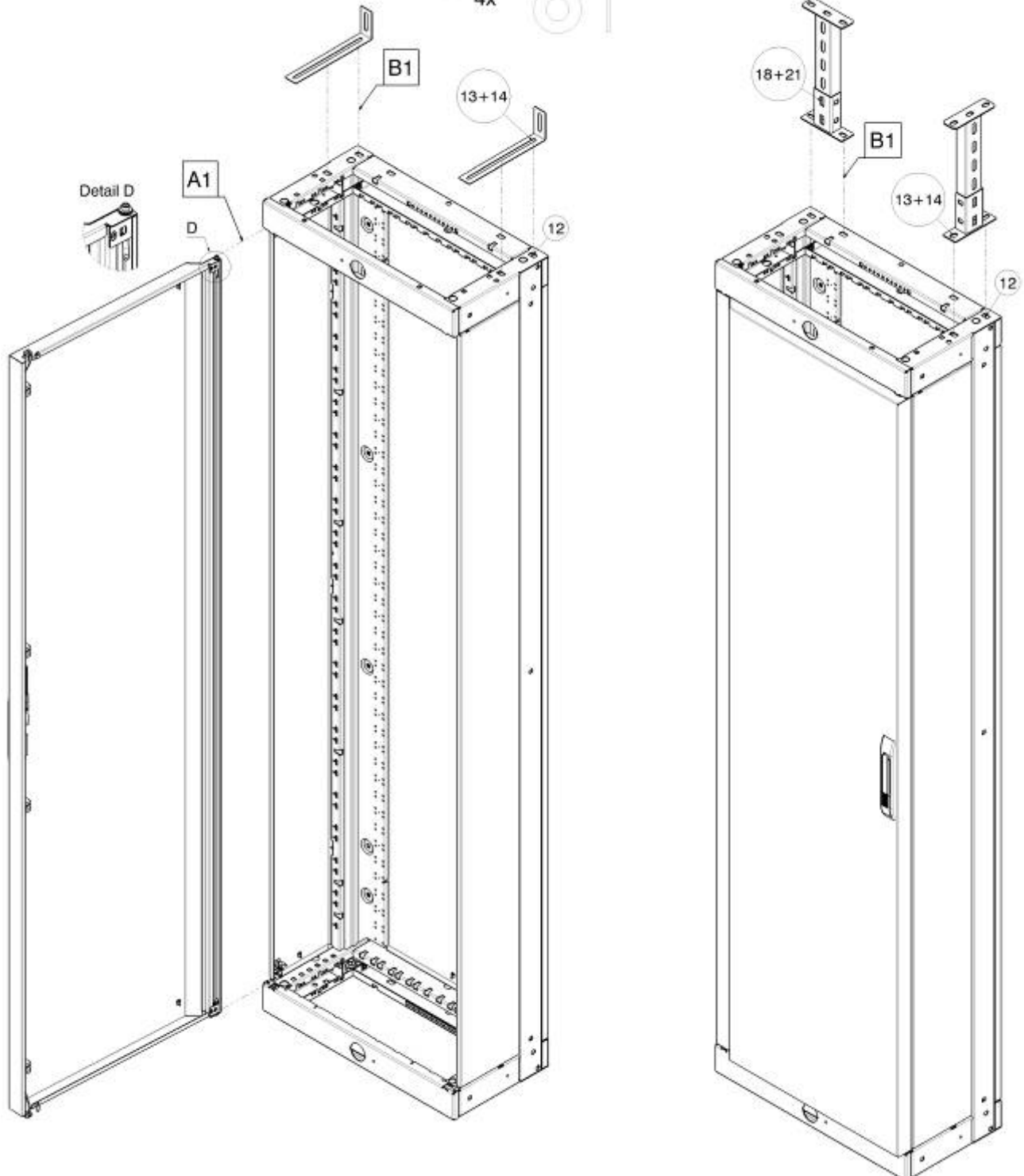
14 Washer 8.6  
4x



18 Hexagon-nut M10  
4x



21 Pan-head screw M10x20  
4x

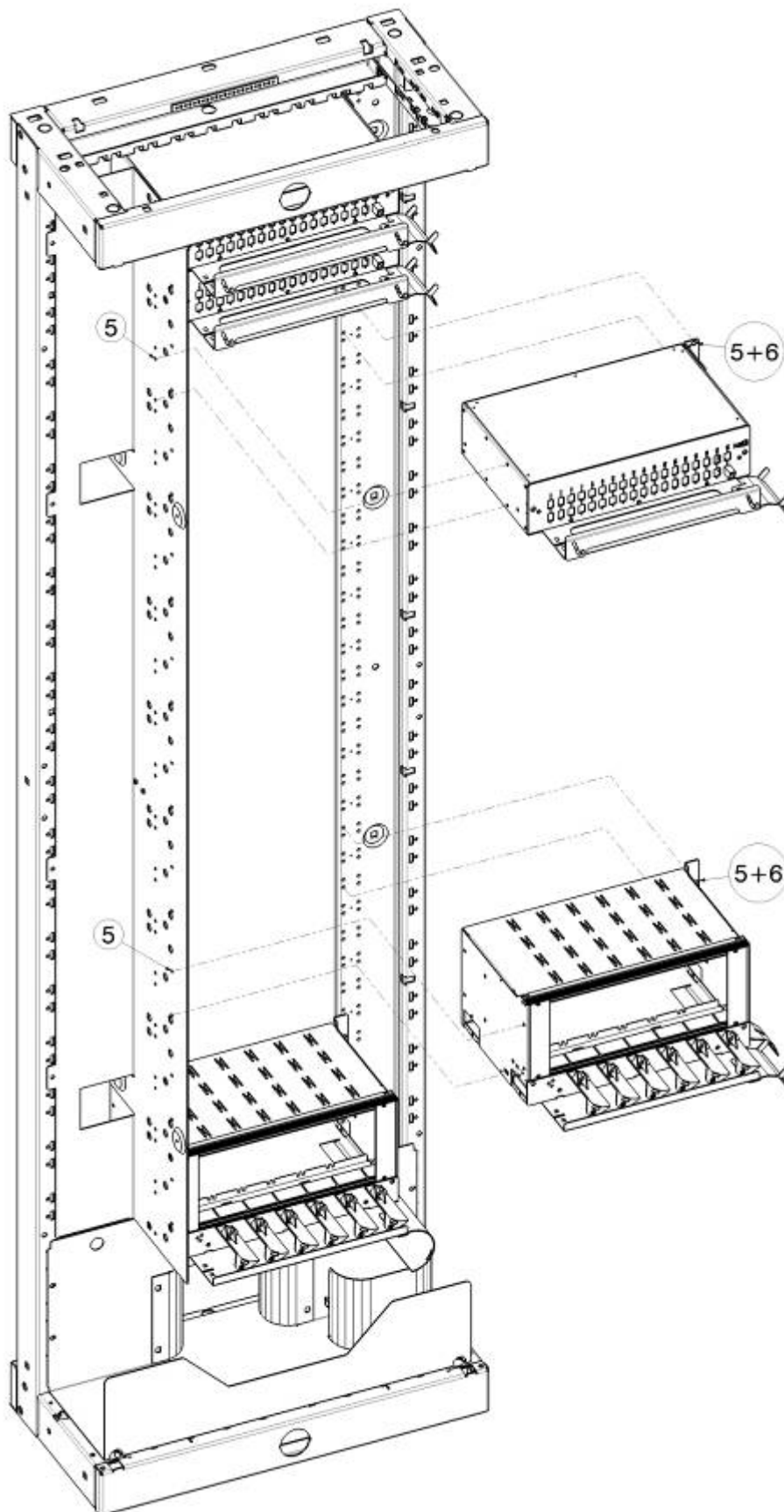






# Assembly Instruction · Montageanweisung NGR 6-18



- NGR Front access internals
- NGR Front access Einbauten



- 
- 1x BTU
- 5 Pan-head screw M5x12  
4x 
- 6 Washer 5.3  
2x 

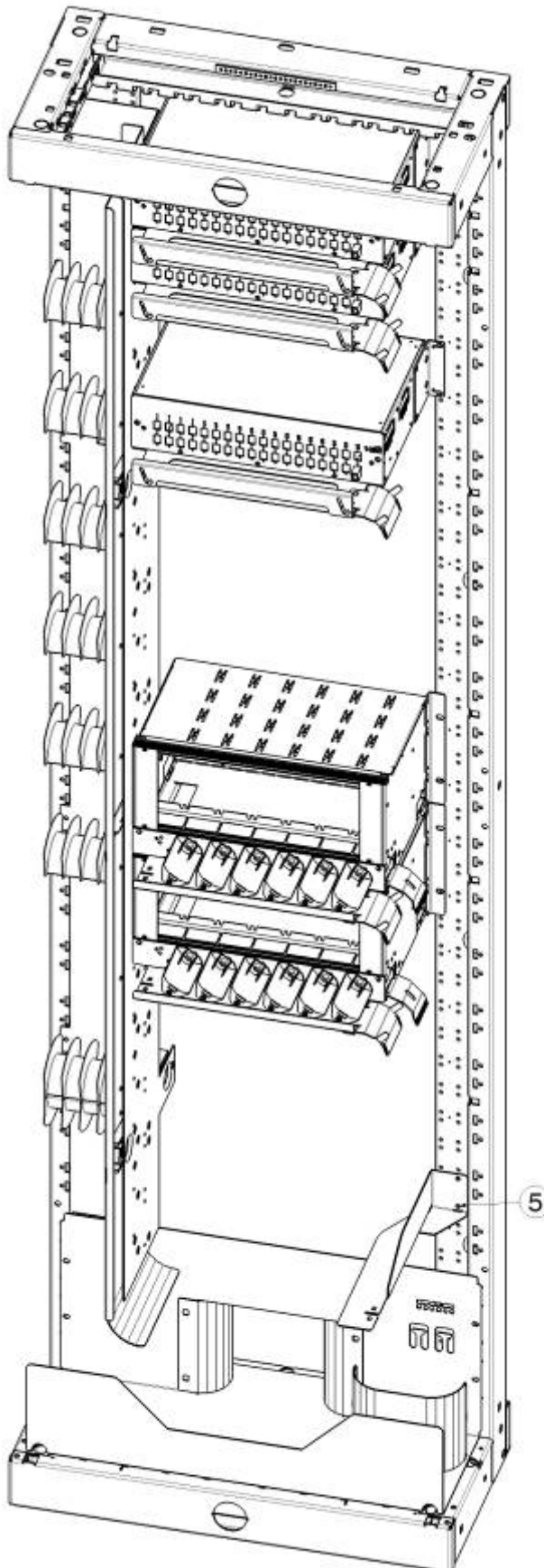
- 
- 1x BGT
- 5 Pan-head screw M5x12  
4x 
- 6 Washer 5.3  
2x 




# Assembly Instruction · Montageanweisung NGR 6-18



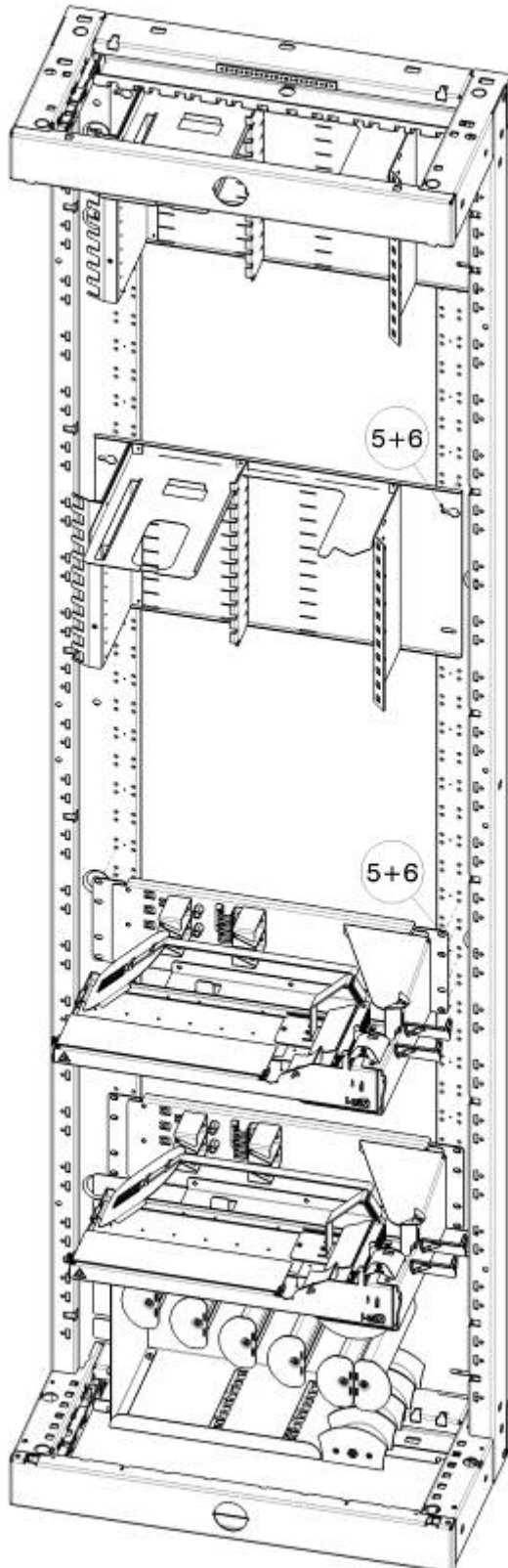
- NGR Front access internals
- NGR Front access Einbauten



- 5 Pan-head screw M5x12  
2x 



- NGR Side access internals
- NGR Side access Einbauten



---

1x Tray Unit

5 Pan-head screw M5x12

4x 

6 Washer 5.3

4x 

---

1x CTS

5 Pan-head screw M5x12

8x 

6 Washer 5.3

8x 



## Assembly Instruction · Montageanweisung

### NGR 6-18



- NGR Accessories
- NGR Zubehör

Pos.	Artikel	VPE	HUBER+SUHRNER Nr.
1.	NGR ODF-Rack Top Entry (B900xT300xH2200)	1	84070745
2.	NGR ODF-Rack Bottom Entry (B900xT300xH2200)	1	84070746
3.	NGR Türeinsatz, geteilt 600/300, für KABA-Schliessung	1	84070747
4.	NGR Seitenwand, links oder rechts	1	84068179
5.	NGR Abfangplatte für 4 Erdkabel, Erweiterung	1	84069826
6.	NGR Befestigungsbügel für Abfangplatte	1	84068204
7.	NGR Bodenabdeckung für Hohlbodenmontage	1	84070749
8.	NGR Deckenbestigung, 1000mm	1	84069172
9.	NGR Rückwand 900	1	84068165
10.	NGR LISA Spleisskassette 24Fs LC/APC ANT	1	84070750
11.	TrayUnit, 6 HE	1	84016903
12.	Dokumentenhalter, 1 HE	1	84018387
13.	Schutzrohr, geschlitzt	100m	84010108
14.	Einziehwerkzeug für Schutzrohr, geschlitzt	1	84025982
15.	FiberTray Label 1 – 24, 1 – 84 fortlaufend, selbstklebend	84	84072921
16.	Kit Schutzrohr, geschlitzt, nummeriert, 1 - 84 abgestuft, oben	1 Set	84072995
17.	Schutzrohr, geschlitzt	5m	84010106
18.	Kit Schutzrohr, geschlitzt, nummeriert, 1 - 84 abgestuft, unten	1 Set	84073298

Pos.	Product	Unit	HUBER+SUHRNER No.
1.	NGR ODF-Rack Top Entry (B900xT300xH2200)	1	84070745
2.	NGR ODF-Rack Bottom Entry (B900xT300xH2200)	1	84070746
3.	NGR door set, separated 600/300, for KABA-lock	1	84070747
4.	NGR sidepanel, left or right	1	84068179
5.	NGR cable fixing plate	1	84069826
6.	NGR cable tie rail	1	84068204
7.	NGR cover for raised floor	1	84070749
8.	NGR ceiling fixation, 1000mm	1	84069172
9.	NGR back wall 900	1	84068165
10.	NGR LISA splice cassette 24Fs LC/APC ANT	1	84070750
11.	TrayUnit, 6 U	1	84016903
12.	Document holder, 1 U	1	84018387
13.	Conduit slotted	100m	84010108
14.	Tool for conduit slotted	1	84025982
15.	FiberTray Label 1–24, 1–84 consecutive, self-adhesive	84	84072921
16.	Conduit kit, slotted, numbered, 1-84 staged, top	1 Set	84072995
17.	Conduit slotted	5m	84010106
18.	Conduit kit, slotted, numbered, 1-84 staged, bottom	1 Set	84073298