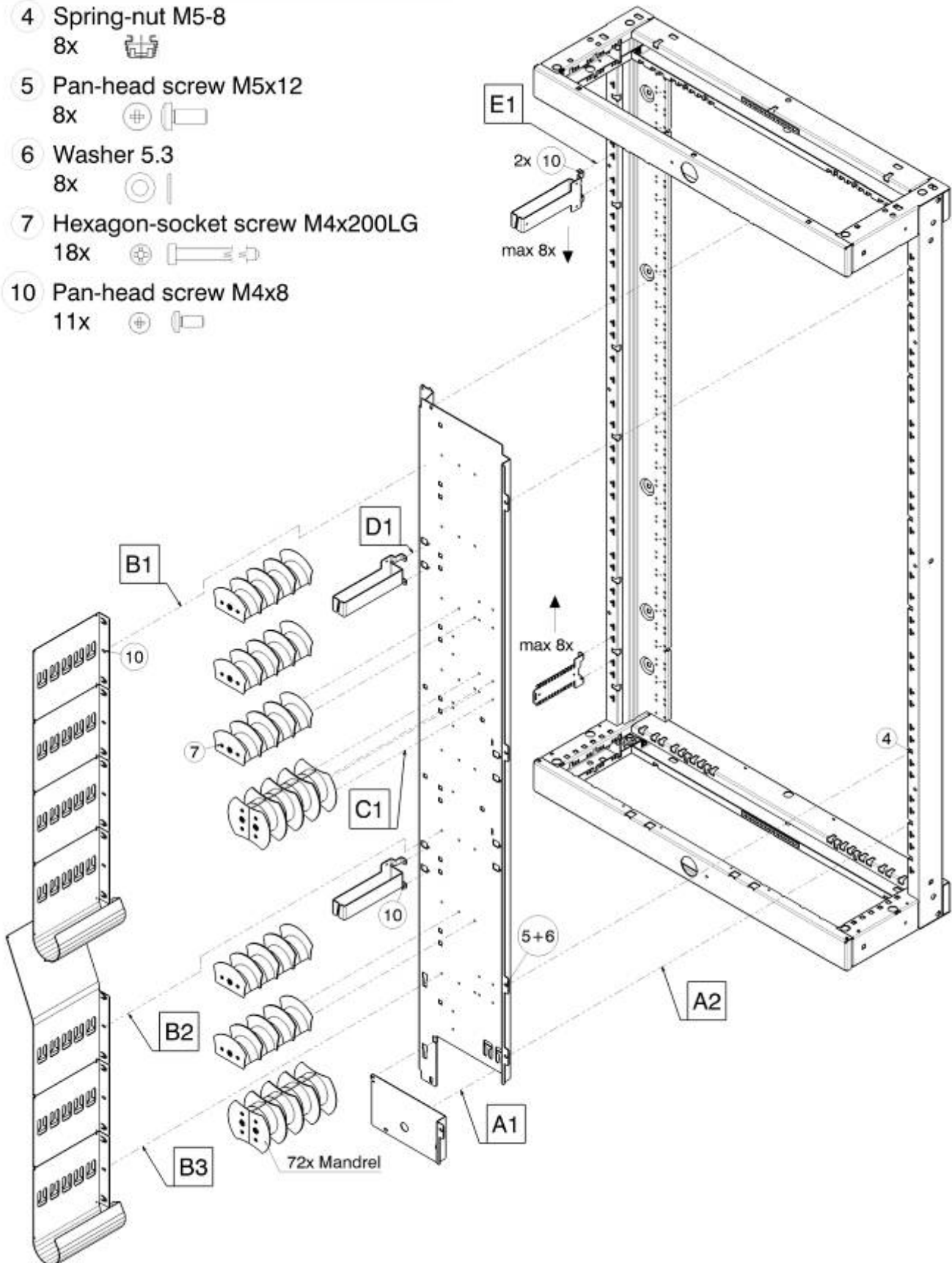


- 1 Spring-nut M6-8
12x
- 2 Hexagon-socket screw M6x16
12x
- 3 Washer 6.4
4x



• NGR Patch Cord Management-Front Access

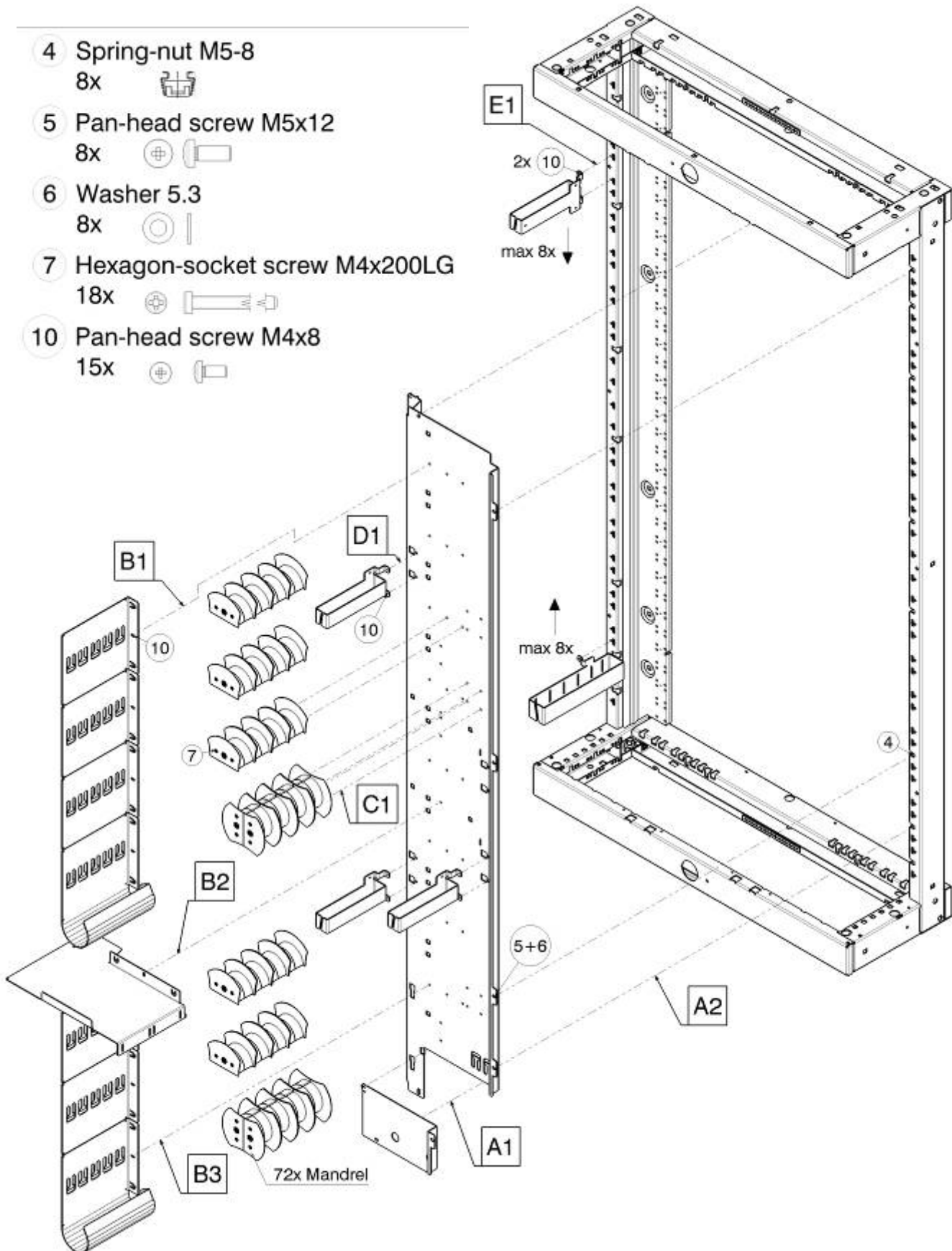
- 4 Spring-nut M5-8
8x
- 5 Pan-head screw M5x12
8x
- 6 Washer 5.3
8x
- 7 Hexagon-socket screw M4x200LG
18x
- 10 Pan-head screw M4x8
11x





NGR Patch Cord Management-Side Access cable entry top

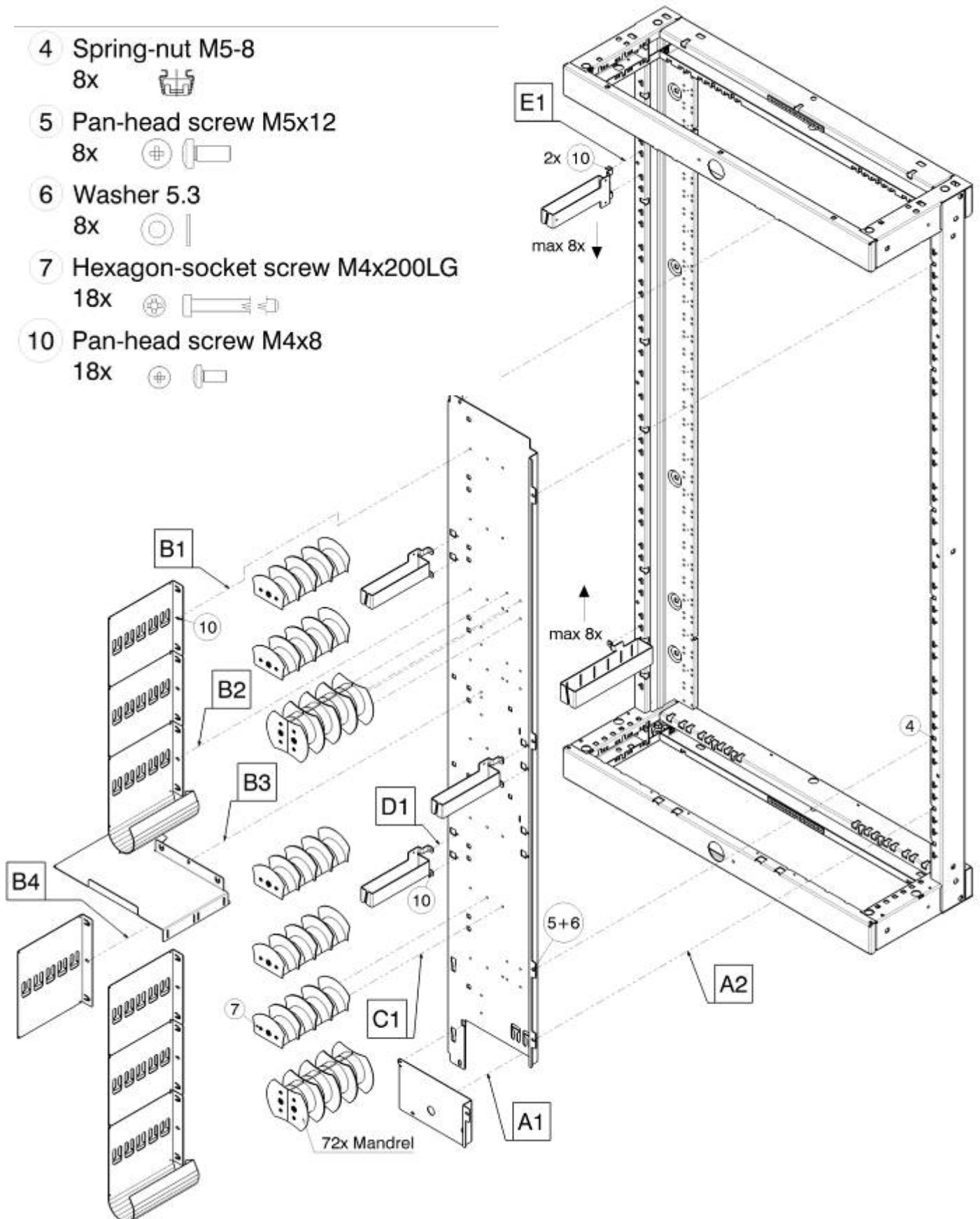
- 4 Spring-nut M5-8
8x
- 5 Pan-head screw M5x12
8x
- 6 Washer 5.3
8x
- 7 Hexagon-socket screw M4x200LG
18x
- 10 Pan-head screw M4x8
15x





NGR Patch Cord Management-Side Access cable entry bottom

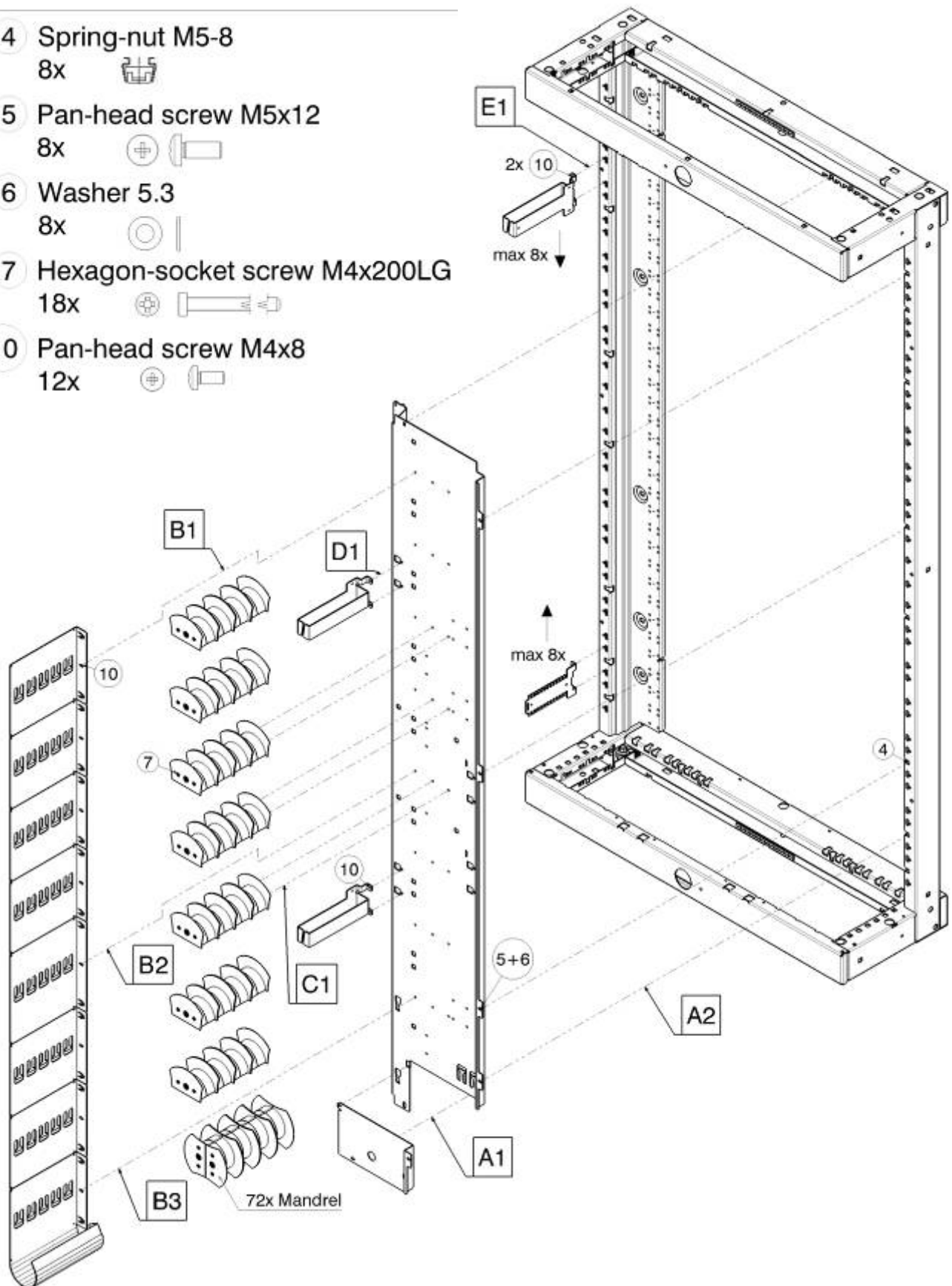
- 4 Spring-nut M5-8
8x
- 5 Pan-head screw M5x12
8x
- 6 Washer 5.3
8x
- 7 Hexagon-socket screw M4x200LG
18x
- 10 Pan-head screw M4x8
18x





NGR Patch Cord Management-Inter Connect

- 4 Spring-nut M5-8
8x
- 5 Pan-head screw M5x12
8x
- 6 Washer 5.3
8x
- 7 Hexagon-socket screw M4x200LG
18x
- 10 Pan-head screw M4x8
12x

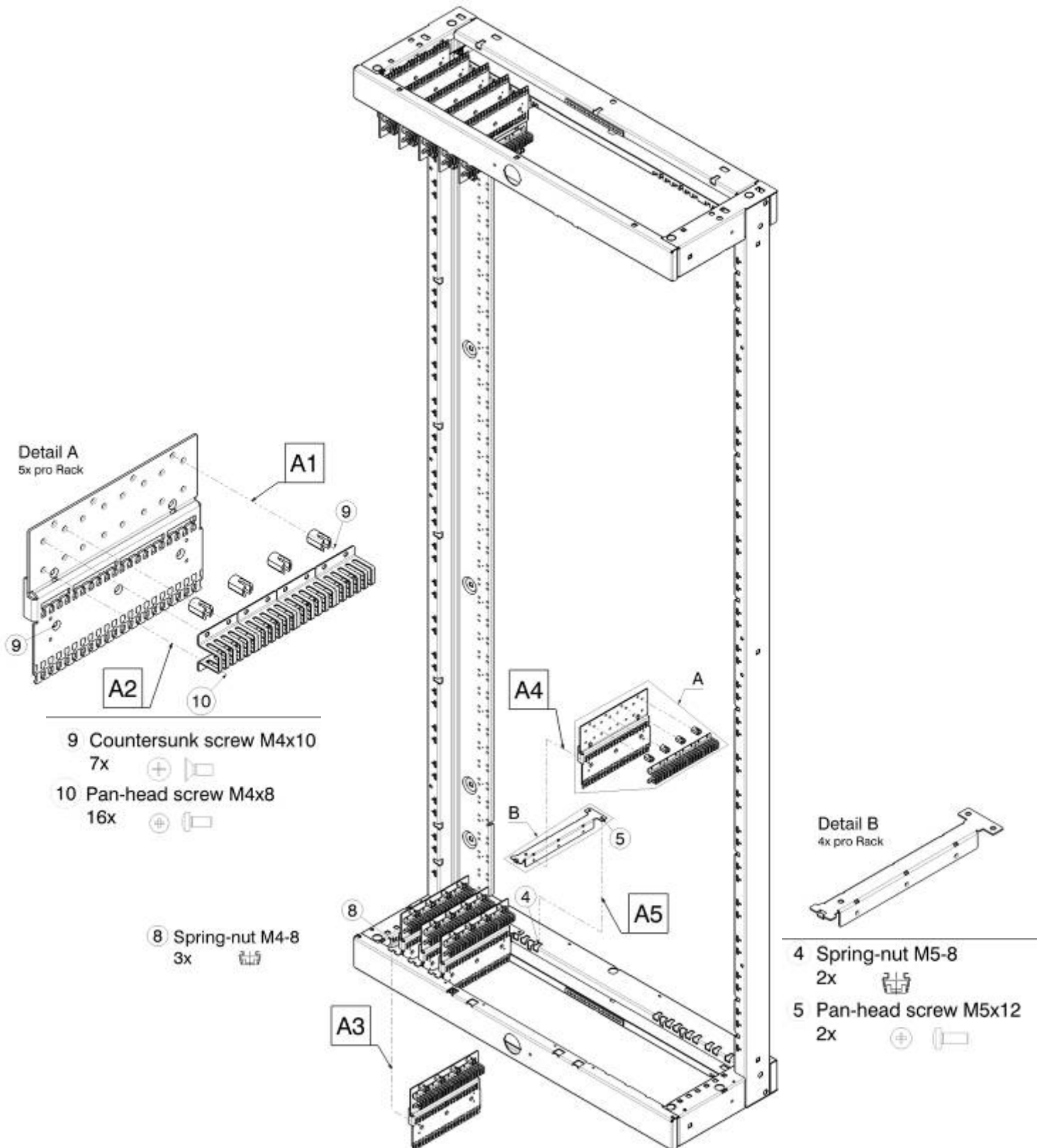




- NGR Abfangplatte für 4 Erdkabel, Erweiterung
- NGR Befestigungsbügel für Abfangplatte

SAP-No: -
SAP-No: -

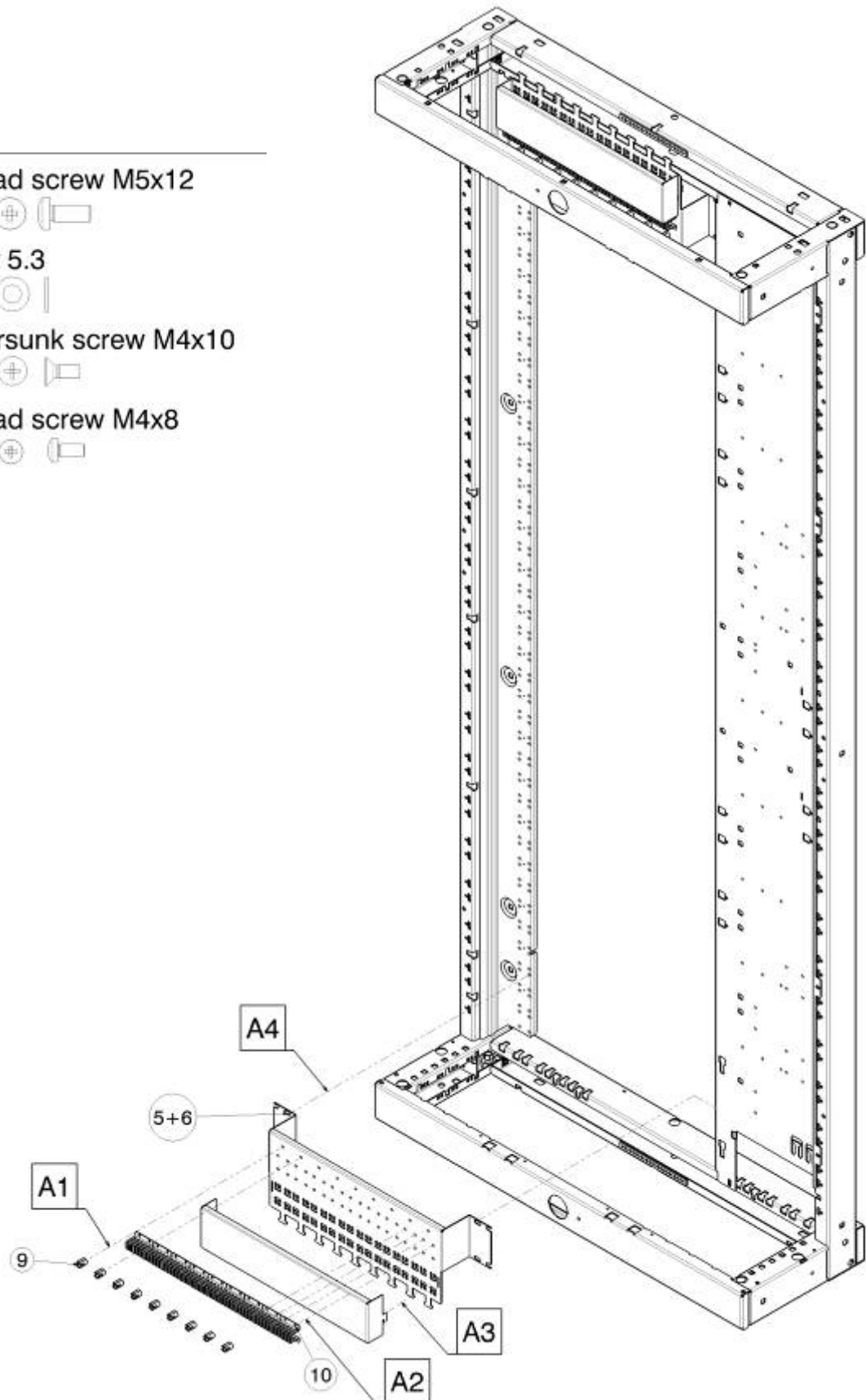
H+S-No: 84069826
H+S-No: 84068204





- NGR Cable Fixing 19"

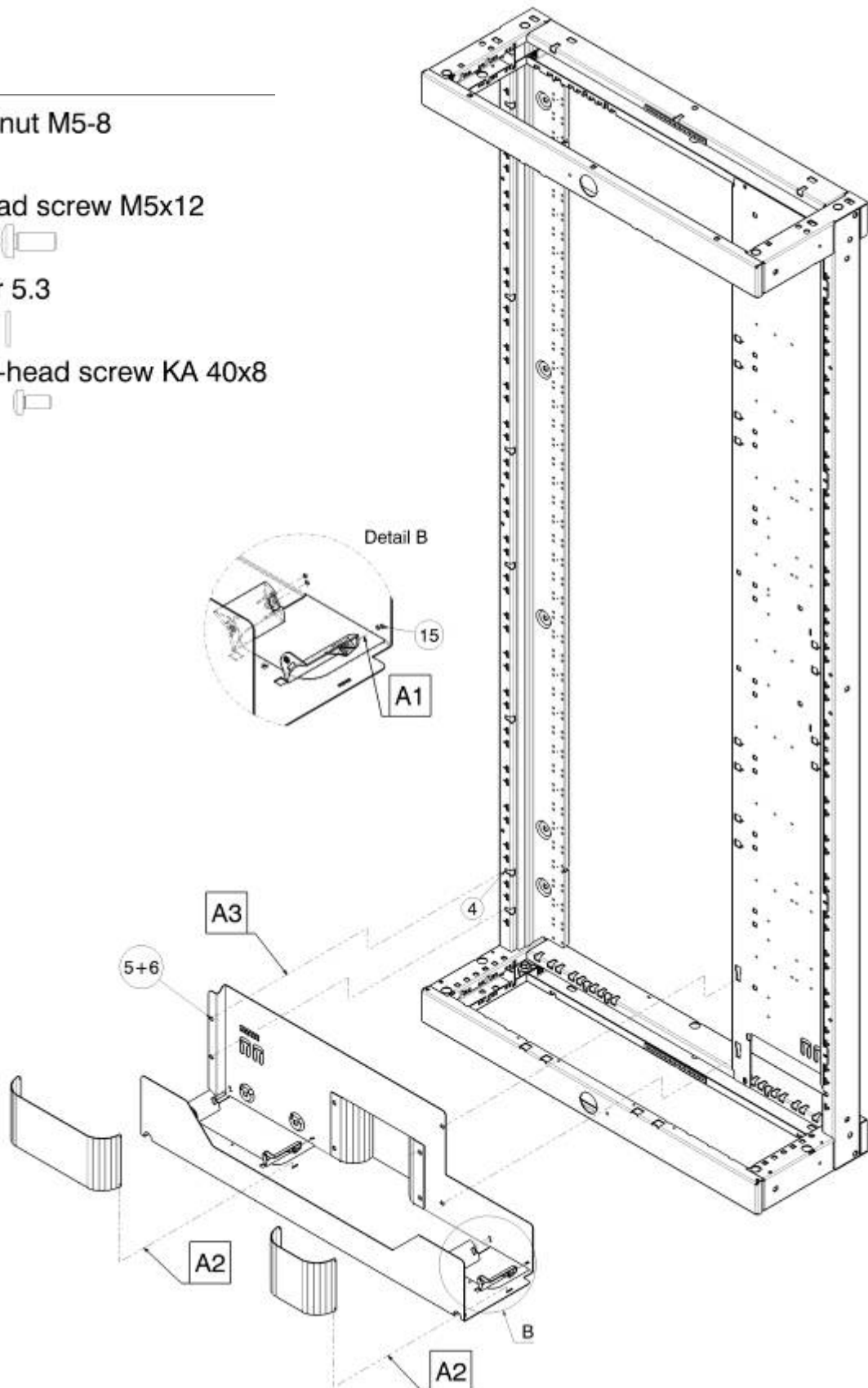
- 5 Pan-head screw M5x12
4x
- 6 Washer 5.3
4x
- 9 Countersunk screw M4x10
9x
- 10 Pan-head screw M4x8
36x








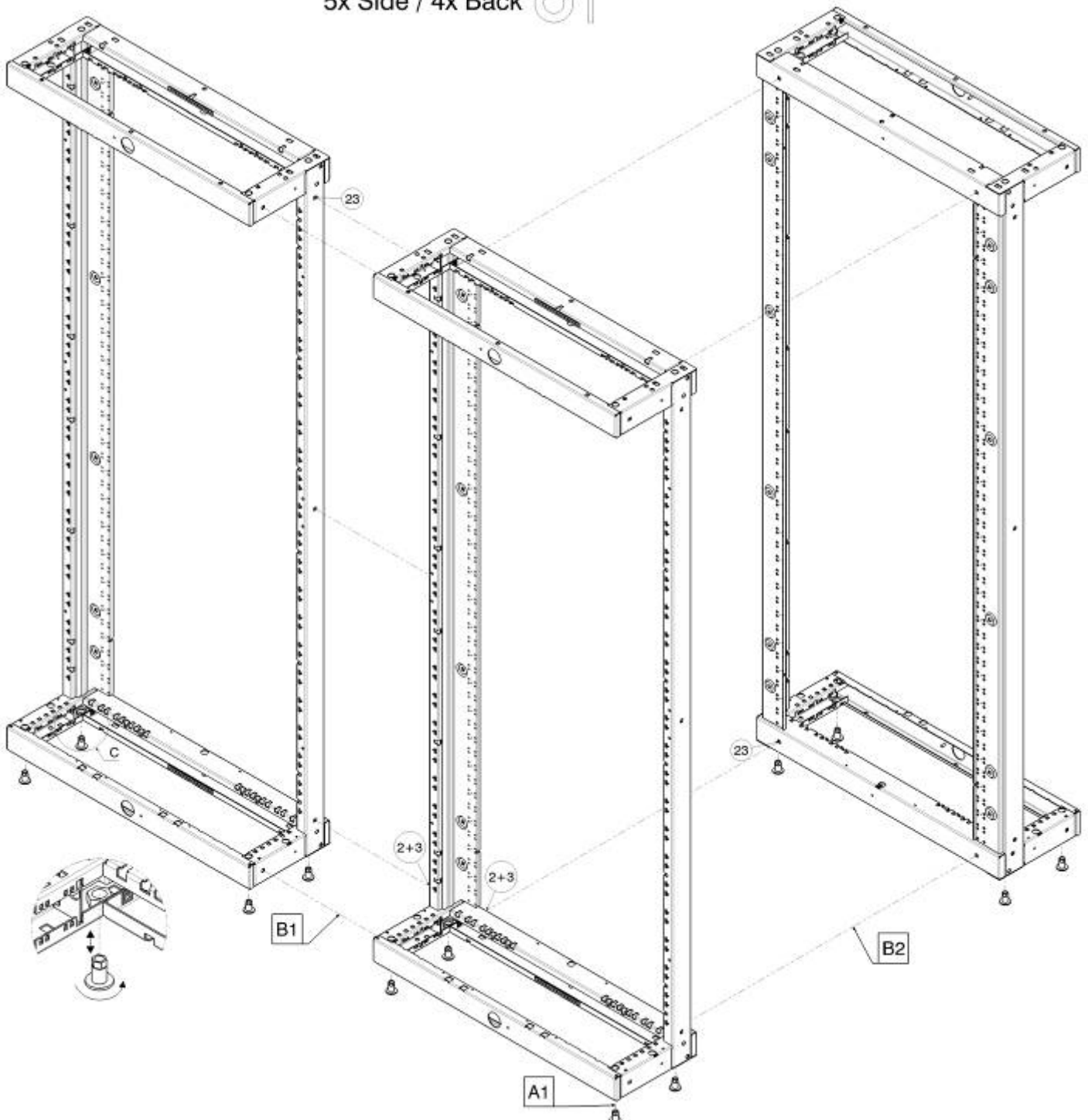
- NGR Patch Cord Routing Channel

- 4 Spring-nut M5-8
4x
- 5 Pan-head screw M5x12
4x
- 6 Washer 5.3
4x
- 15 PT Pan-head screw KA 40x8
8x





- 23 Spring-nut M6 special
5x Side / 4x Back 
- 2 Hexagon-socket screw M6x16
5x Side / 4x Back 
- 3 Washer 6.4
5x Side / 4x Back 

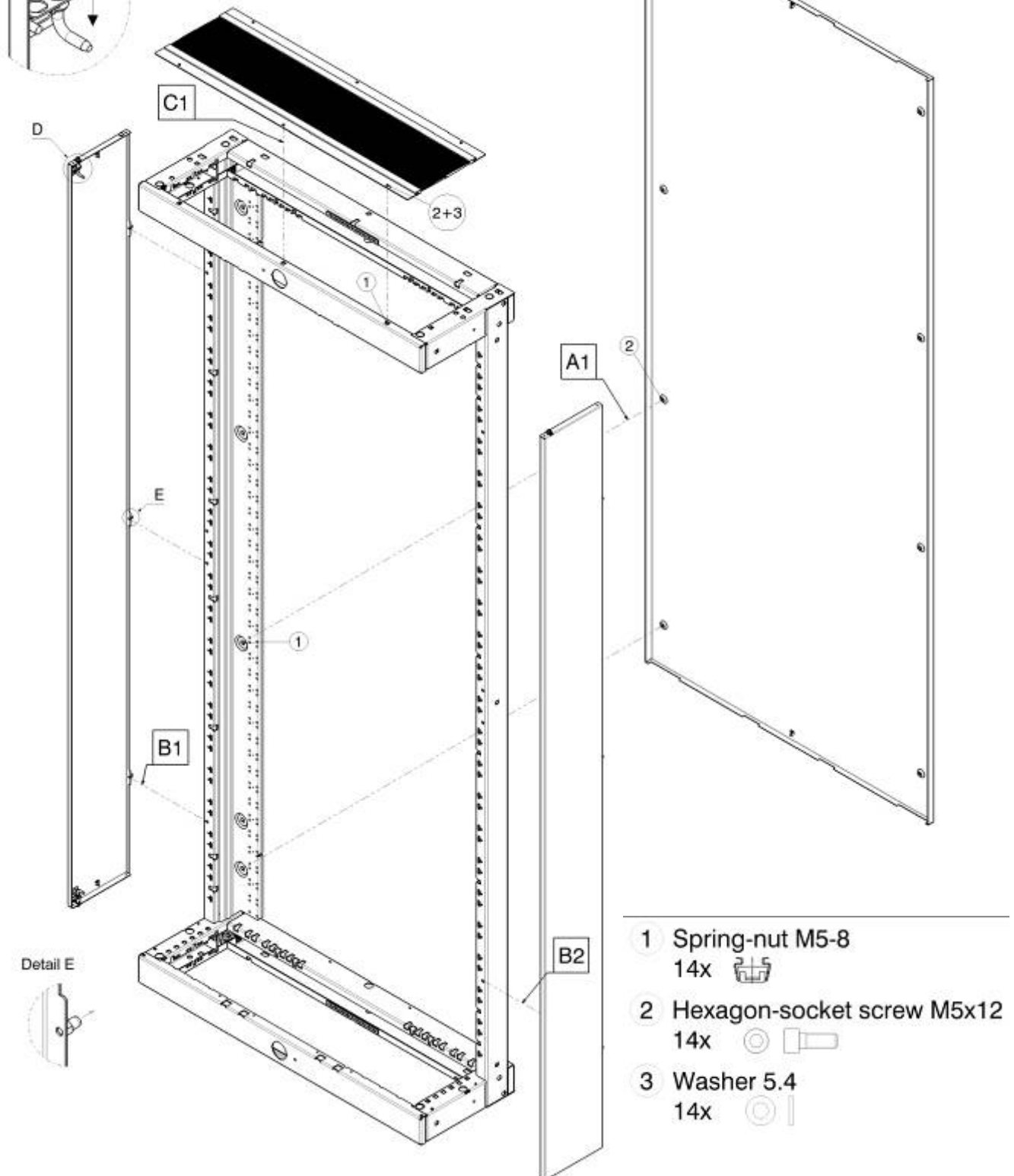
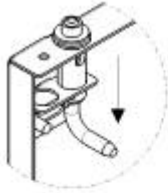




- NGR Türensatz, geteilt 600/300, für KABA-Schließung

SAP-No: 127928 H+S-No:84070747

Detail D



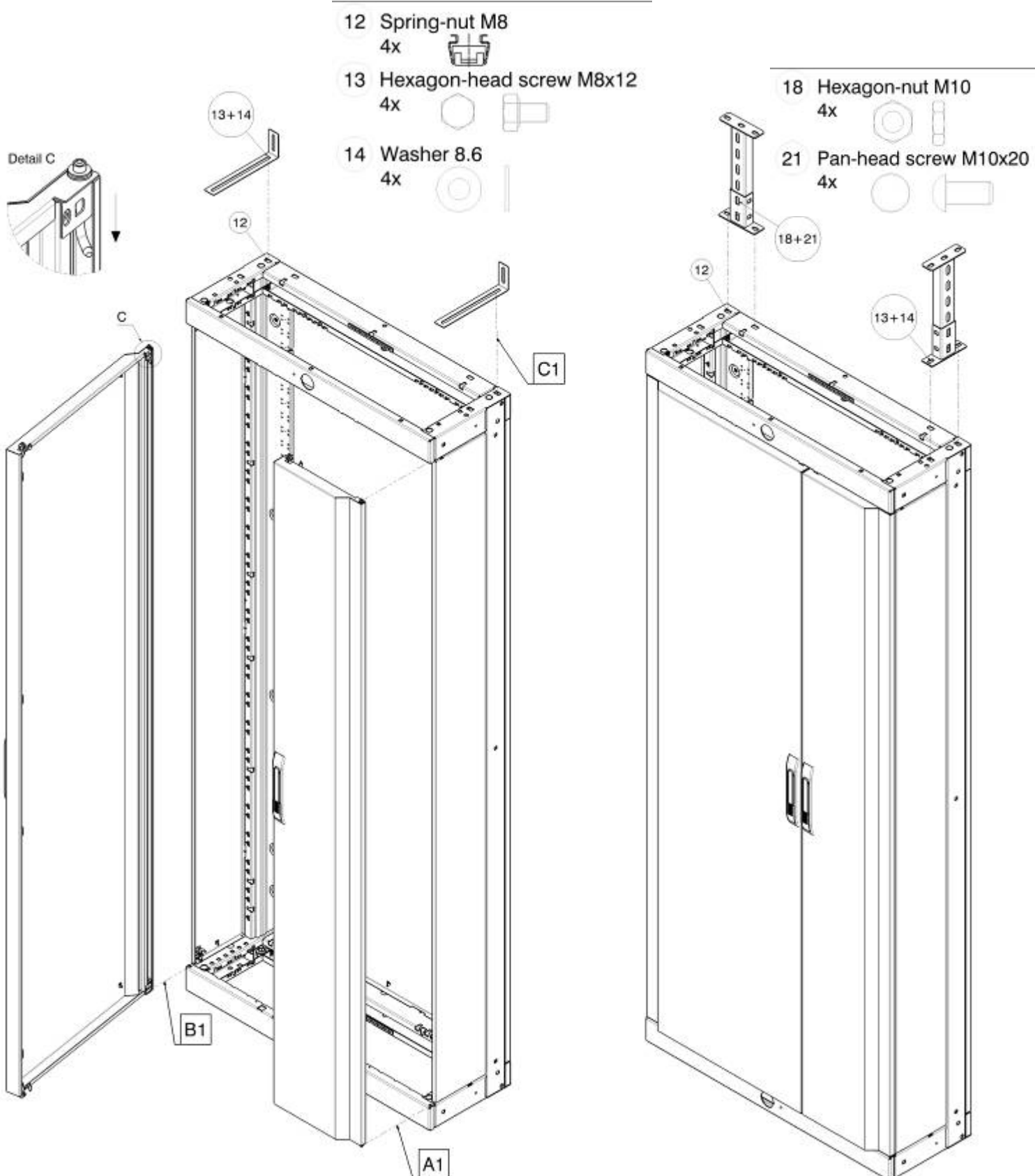
Detail E



- 1 Spring-nut M5-8
14x
- 2 Hexagon-socket screw M5x12
14x
- 3 Washer 5.4
14x



NGR Türensatz, geteilt 600/300 für KABA-Schliessung





Assembly Instruction · Montageanweisung · Notice de montage
NGR 9-18



**HUBER+SUHNER is certified according to
ISO 9001 and ISO 14001.**

**HUBER+SUHNER ist nach ISO 9001 und ISO 14001
zertifiziert.**

WAIVER

It is exclusively in written agreements that we provide our customers with warrants and representations as to the technical specifications and/or the fitness for any particular purpose. The facts and figures contained herein are carefully compiled to the best of our knowledge, but they are intended for general informational purposes only.

Hinweis

Wir gewähren unseren Kunden Produktgarantien hinsichtlich technischer Funktionen und Eignungen zu besonderen Zwecken ausschliesslich in schriftlichen Vereinbarungen. Die Informationen in diesem Dokument sind nach bestem Wissen und Gewissen zusammengestellt, sie dienen aber vorab Informationszwecken.