



HUBER+SUHNER® ANTENNA PRODUCT FOR WIRELESS COMMUNICATION



SMALL CPE Enclosure

Antenna and mounting hardware are not included

Technical Data

Mechanical & Environmental Properties

Dimensions - Internal space	160 x 160 x 41 mm (6.3" x 6.3" x 1.61")
Weight	.68 kg (1.5 lbs.)
Enclosure material	aluminium
Enclosure colour	RAL 9002 (grey-white)
2002/95/EC (RoHS)	compliant
Operating temperature range	- 55°C to + 70°C
Storage temperature range	- 55°C to + 70°C
Max. Power dissipation	20 W
Vibration	IEC 60721 3-4 4M5 Random
Mechanical Shock	IEC 60721 3-4 4M5
IP Rating	IP 67
Humidity	100%
Solar Radiation	ASTM G53 1000h
Salt Fog	IEC 8-2-11 Ka 500 hours

Available Types	Article no.	
9091.99.0217	84038484	Cable entry with cable gland including Cat 5 or N-Female connection possibilities

Note: The antenna - fastening screws are always part of the antenna delivery.

Mounting Hardware	Article no.	
9091.99.0201	84018626	Sidetilt / downtilt bracket

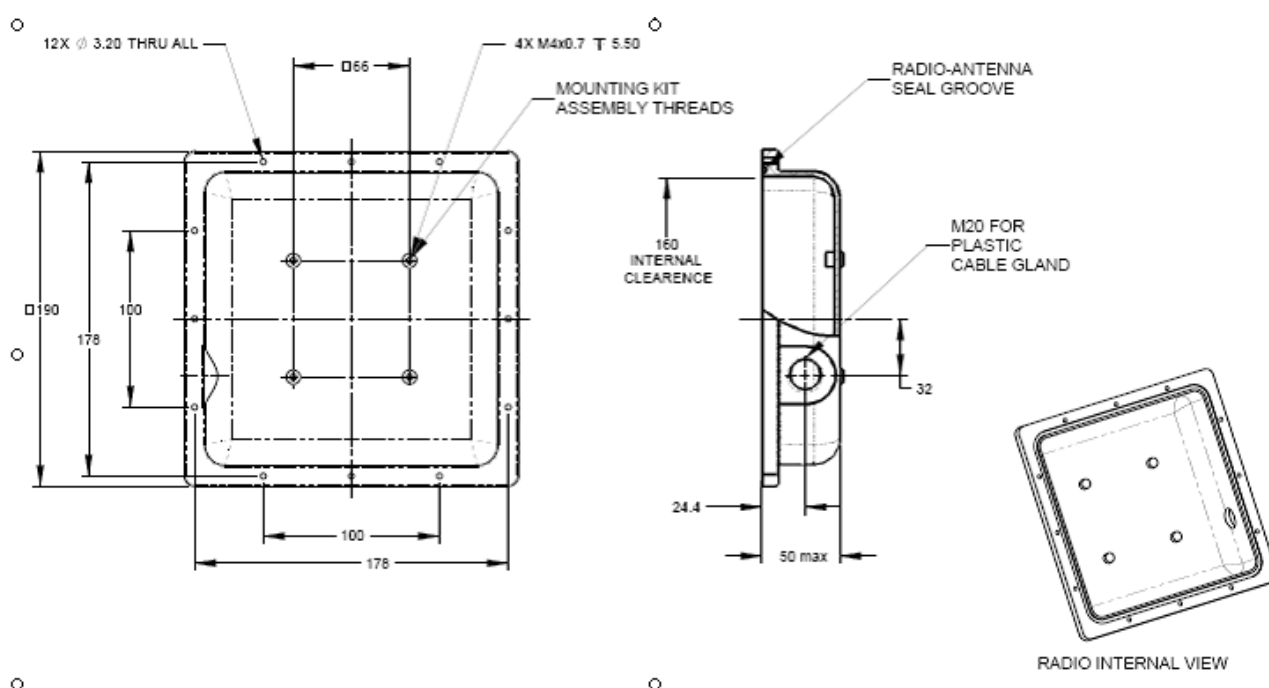
Documents	
01.02.0777	security instruction
Doc. No. 0000252459	mounting instruction



HUBER+SUHNER® ANTENNA PRODUCT FOR WIRELESS COMMUNICATION

SMALL CPE Enclosure

Dimensions (mm)



HUBER+SUHNER is certified according to ISO 9001 and ISO 14001

WAIVER!

It is exclusively in written agreements that we provide our customers with warrants and representations as to the technical contained specifications and/or the fitness for any particular purpose. The facts and figures herein are carefully compiled to the best of our knowledge, but they are intended for general informational purposes only.

HUBER+SUHNER – Excellence in Connectivity Solutions

Document no.: 01.02.1420
Issue no.: 3
Supersedes: 07.2007

Uncontrolled Copy

Issued/Checked/Released: 4863/4656/04.2007
Last amended: 4253/05.2008



HUBER+SUHNER AG

RF Technology

9100 Herisau, Switzerland

Phone +41 (0)71 353 41 11

Fax +41 (0)71 353 47 51

www.hubersuhner.com