

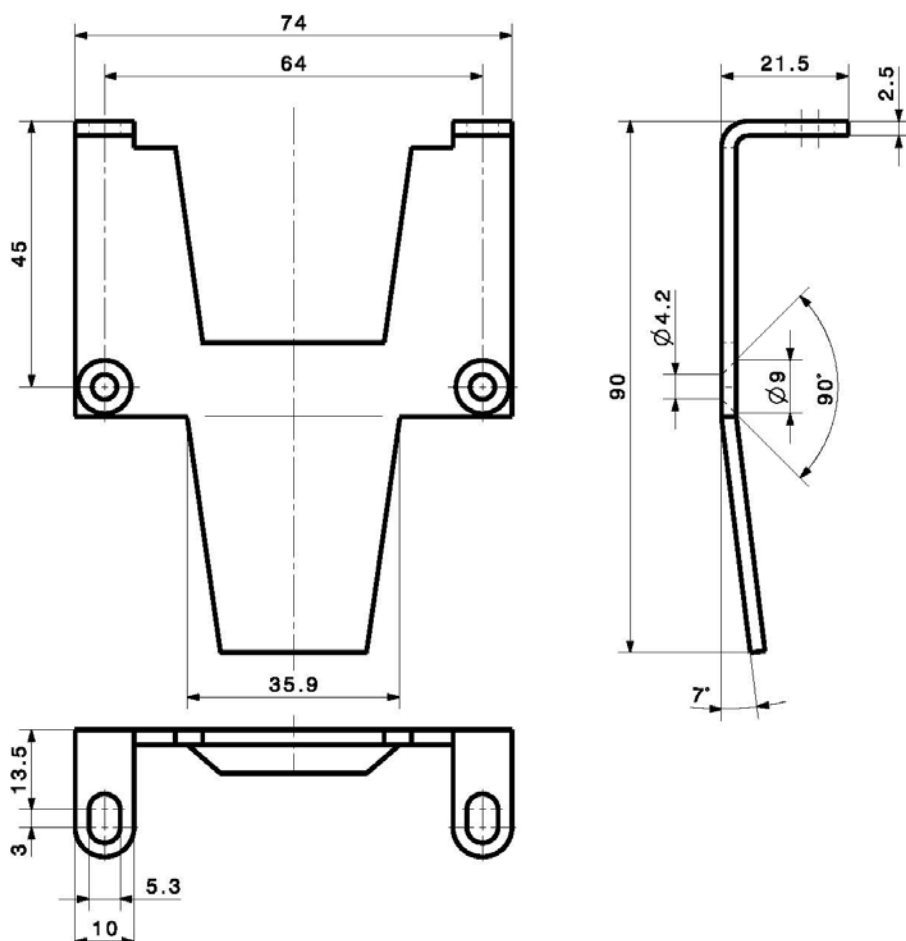


# HUBER+SUHNER® MOUNTING BRACKET FOR WIRELESS COMMUNICATION

## Wall Mounting Bracket

| Type no.     | Article no. |
|--------------|-------------|
| 9091.99.0191 | 84011560    |

| Documents  |                      |
|------------|----------------------|
| 01.02.0777 | security instruction |
| 01.02.1111 | mounting instruction |



**HUBER+SUHNER group is certified according to ISO 9001 and ISO 14001.**

WAIVER!  
While the information contained has been carefully compiled to the best of our present knowledge, it is not intended as representation or warranty of any kind on our part regarding the fitness of the products concerned for any particular use or purpose and neither shall any statement contained herein be construed as a recommendation to infringe any industrial property rights or as a license to use any such rights. The fitness of each product for any particular purpose must be checked beforehand with our specialists.



HUBER+SUHNER AG  
Mobile Communications + Electronics Sector  
Communication Equipment Components  
CH-9100 Herisau, Switzerland  
Tel.: +41 (0)71 353 41 11  
Fax: +41 (0)71 353 47 51  
www.hubersuhner.com

Document no.: 01.02.1095  
Issue no.: 2  
Supersedes: 12.2004

**Uncontrolled Copy**  
Issued/Checked/Released: 4159/4772/12.2004  
Last amended: 4159