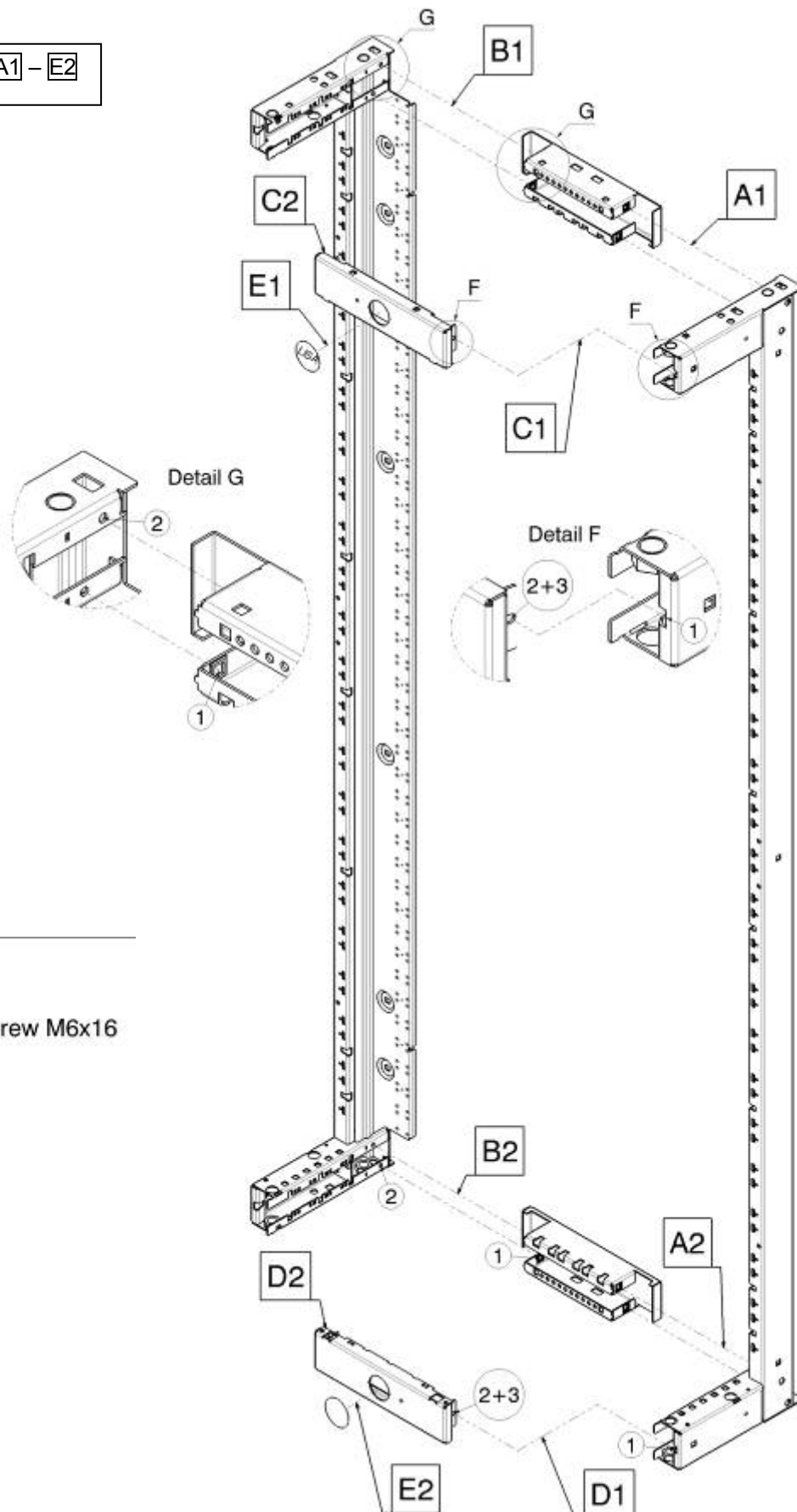




• NGR Base Frame

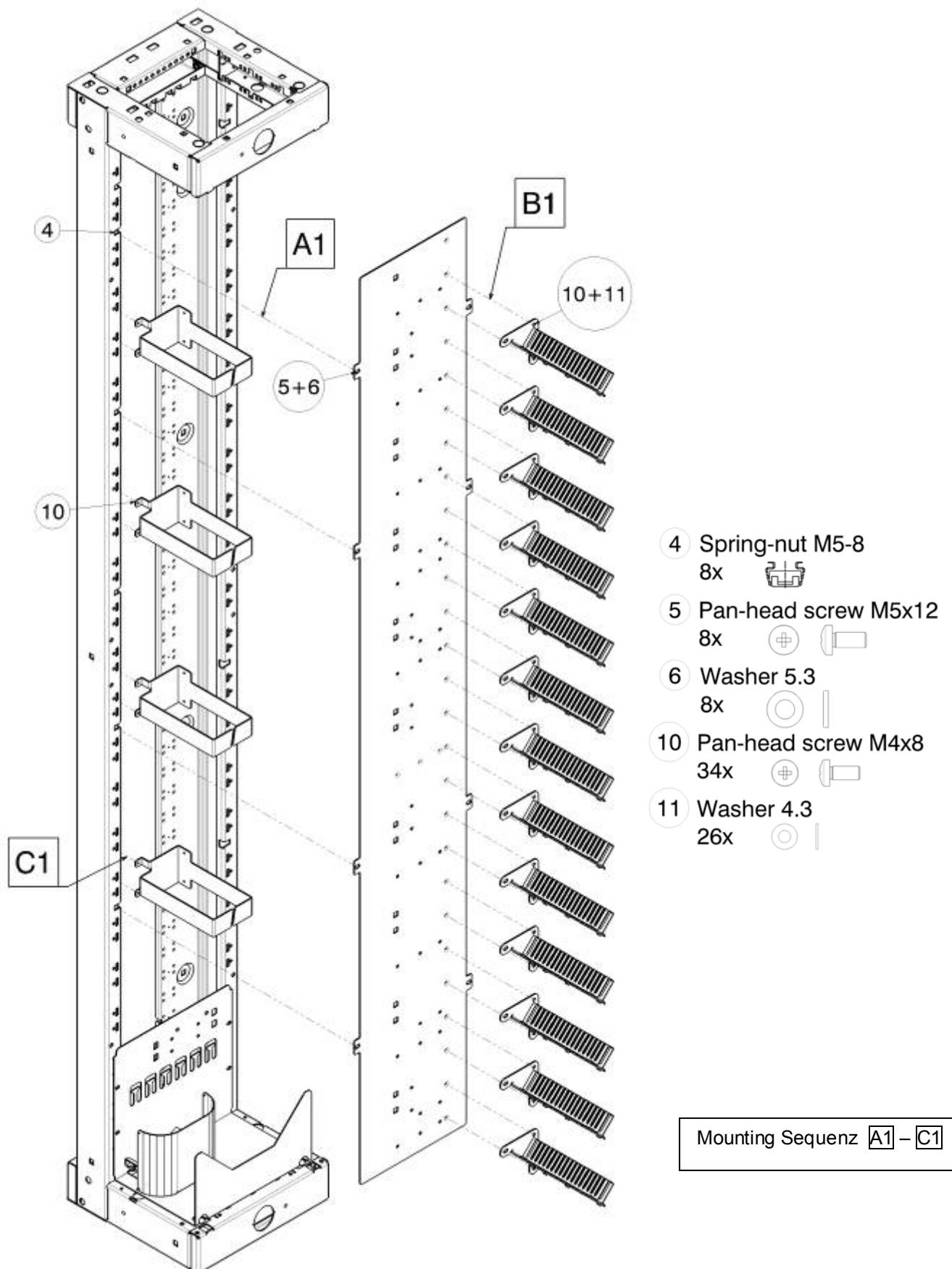
Mounting Sequenz **A1** – **E2**



- 1 Spring-nut M6-8
12x
- 2 Hexagon-socket screw M6x16
12x
- 3 Washer 6.4
4x

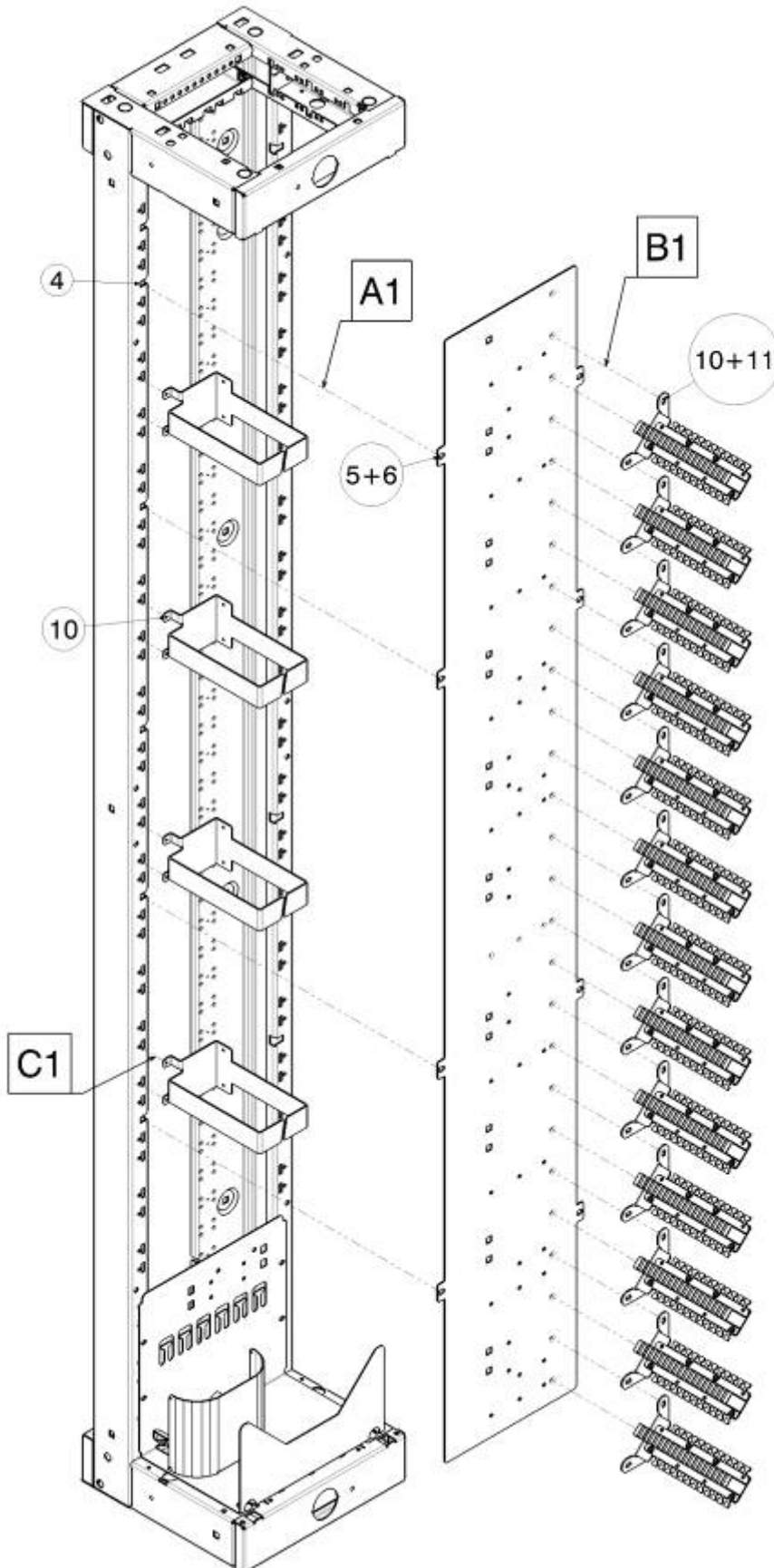


• NGR Microduct Management – Cable entry top





- NGR Microduct Management – Cable entry bottom

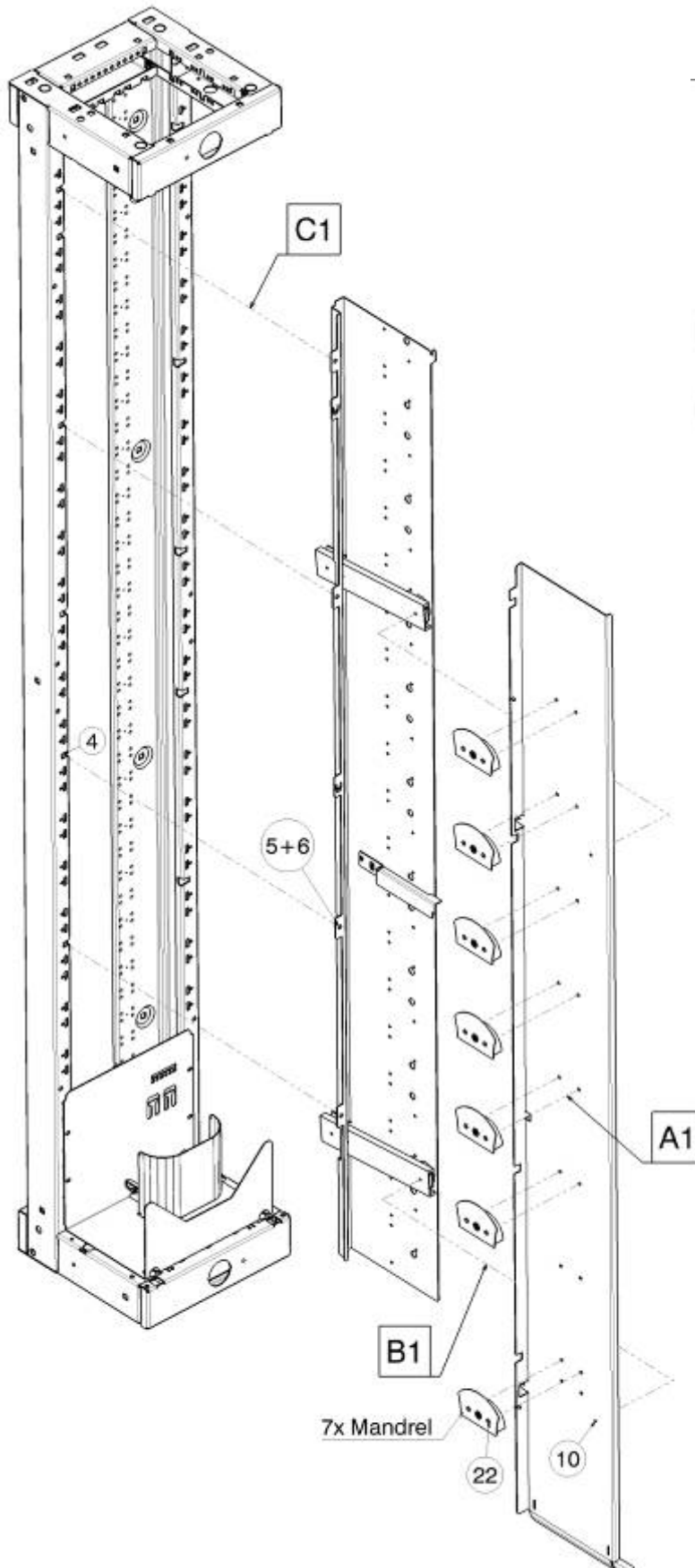


- 4 Spring-nut M5-8
8x
- 5 Pan-head screw M5x12
8x
- 6 Washer 5.3
8x
- 10 Pan-head screw M4x8
34x
- 11 Washer 4.3
26x

Mounting Sequenz **A1** – **C1**



• NGR Patch Cord Management-Side Access

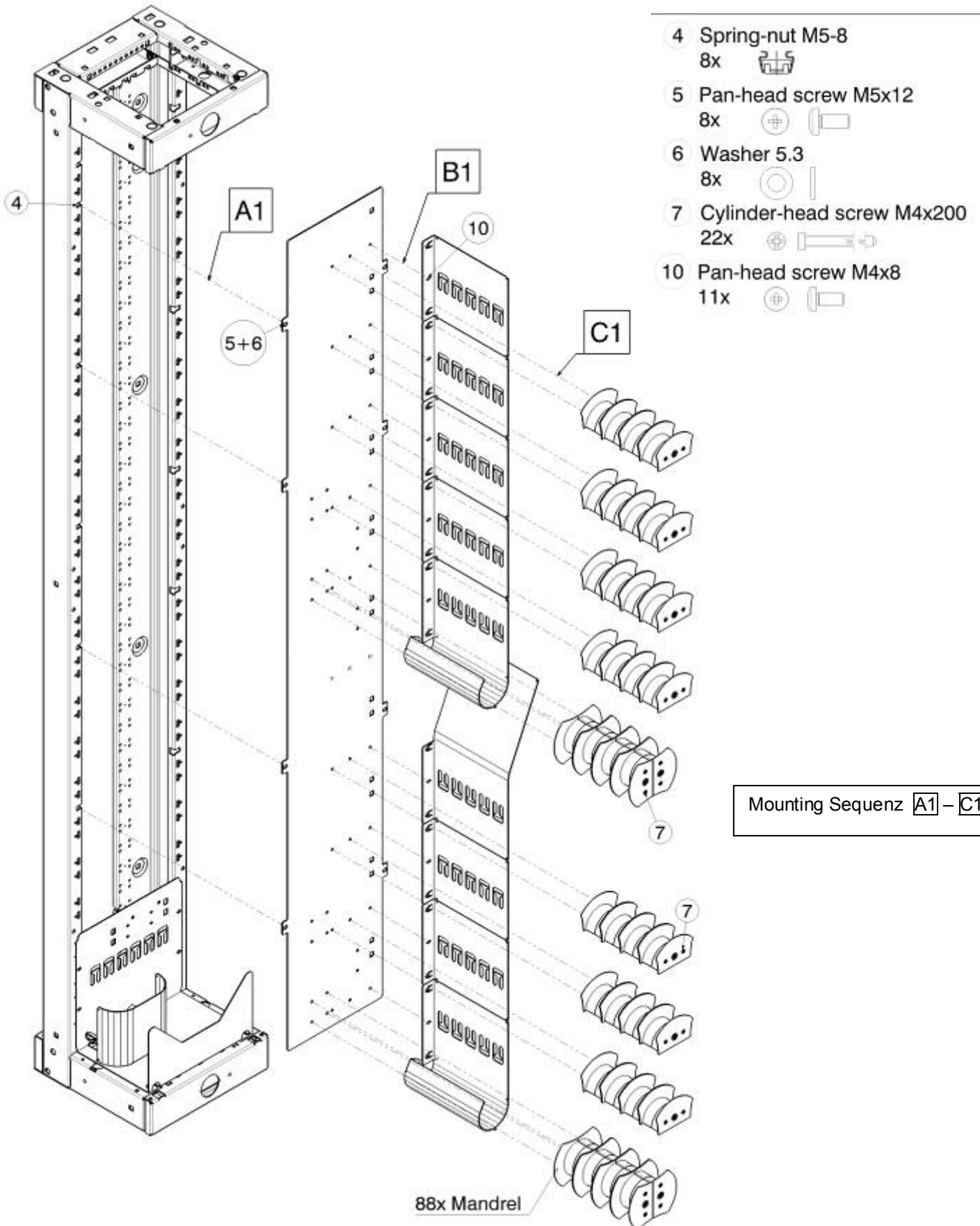


- 4 Spring-nut M5-8
12x
- 5 Pan-head screw M5x12
12x
- 6 Washer 5.3
4x
- 10 Pan-head screw M4x8
4x
- 22 Cylinder-head screw M4x100
14x

Mounting Sequenz **A1** - **C1**



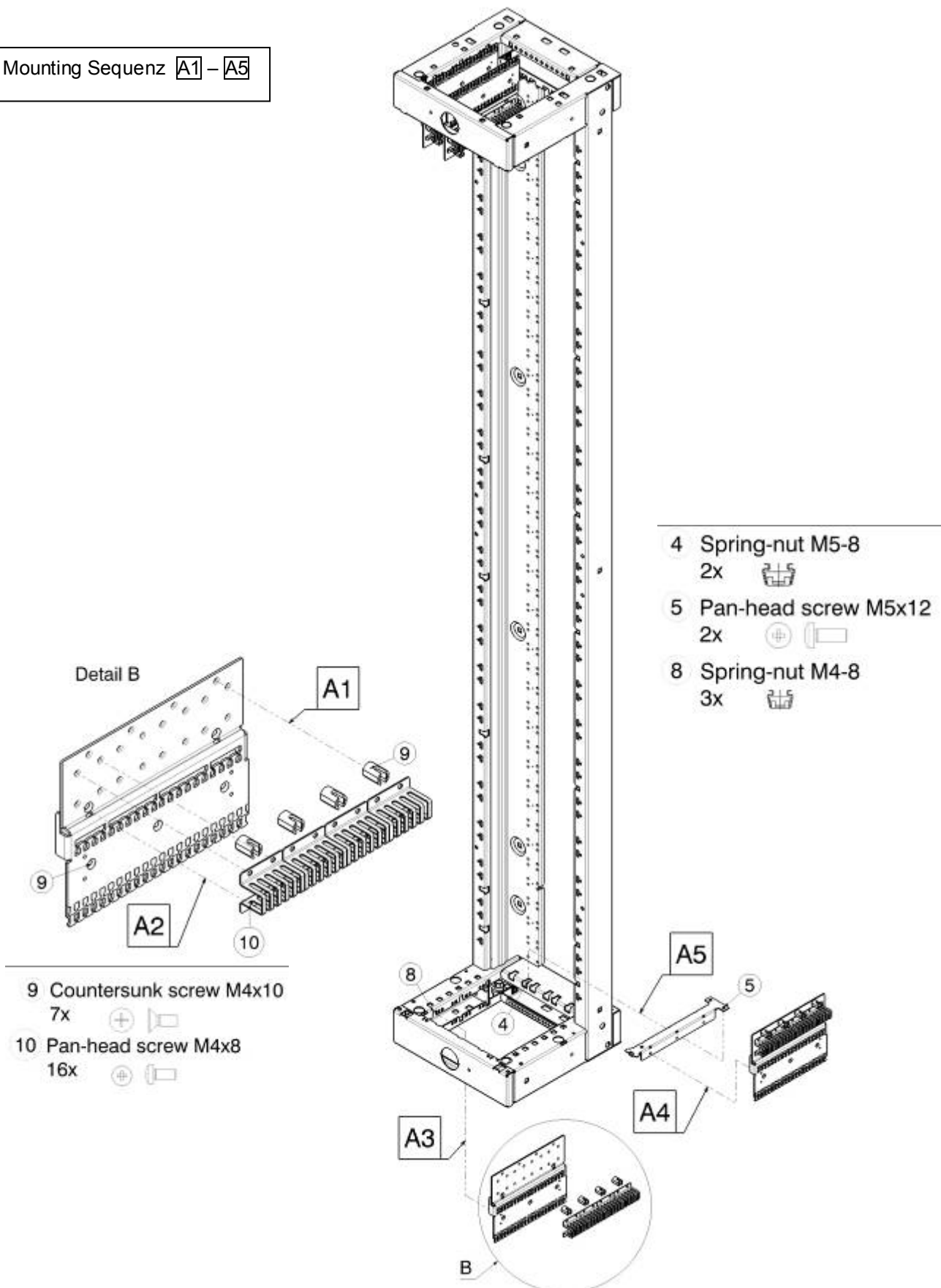
• NGR Patch Cord Management - Front Access





- NGR Cable entry

Mounting Sequenz **A1** – **A5**

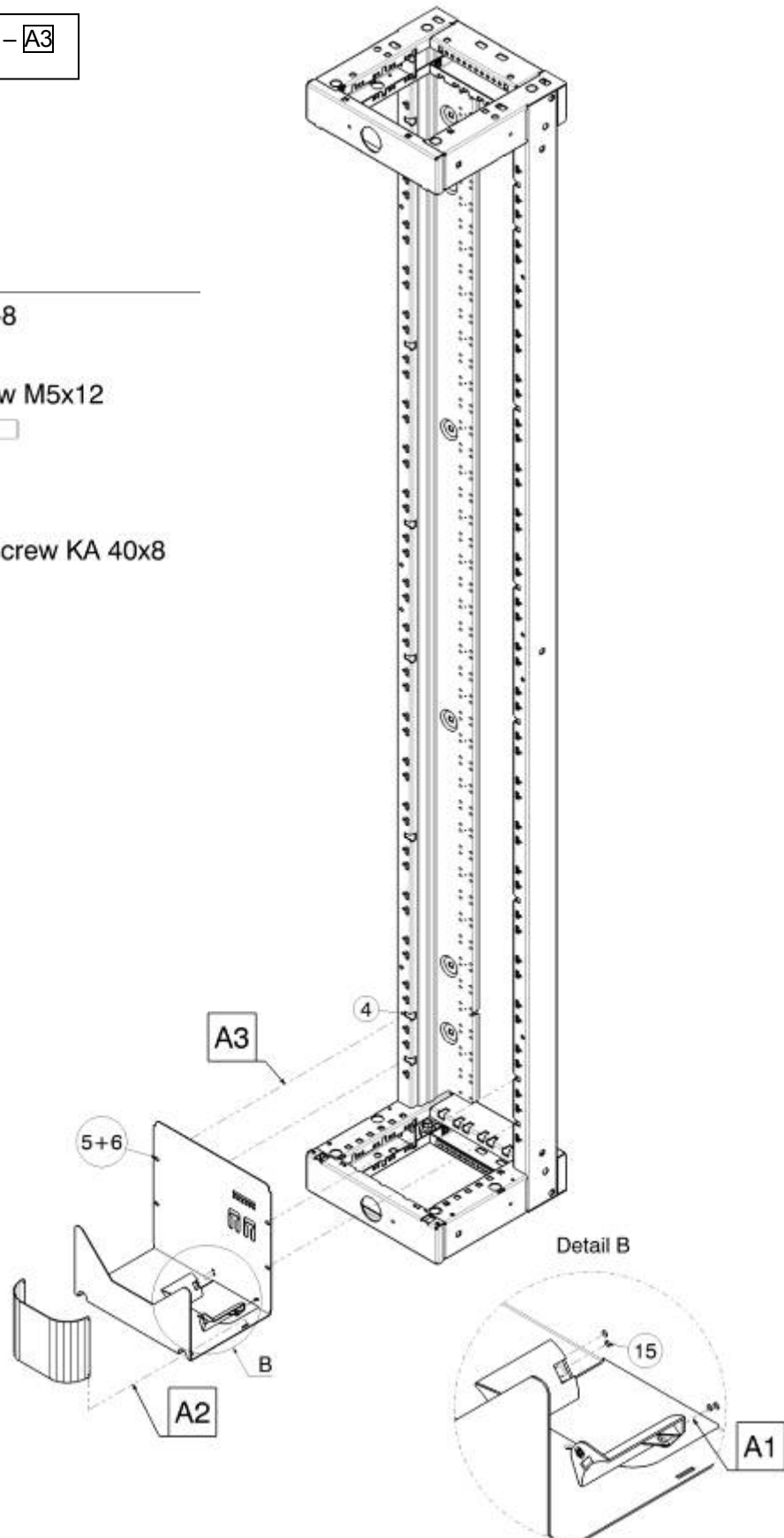




- NGR Patch Cord Routing Channel

Mounting Sequenz **A1** – **A3**

- 4 Spring-nut M5-8
4x
- 5 Pan-head screw M5x12
4x
- 6 Washer 5.3
4x
- 15 PE Pan-head screw KA 40x8
4x





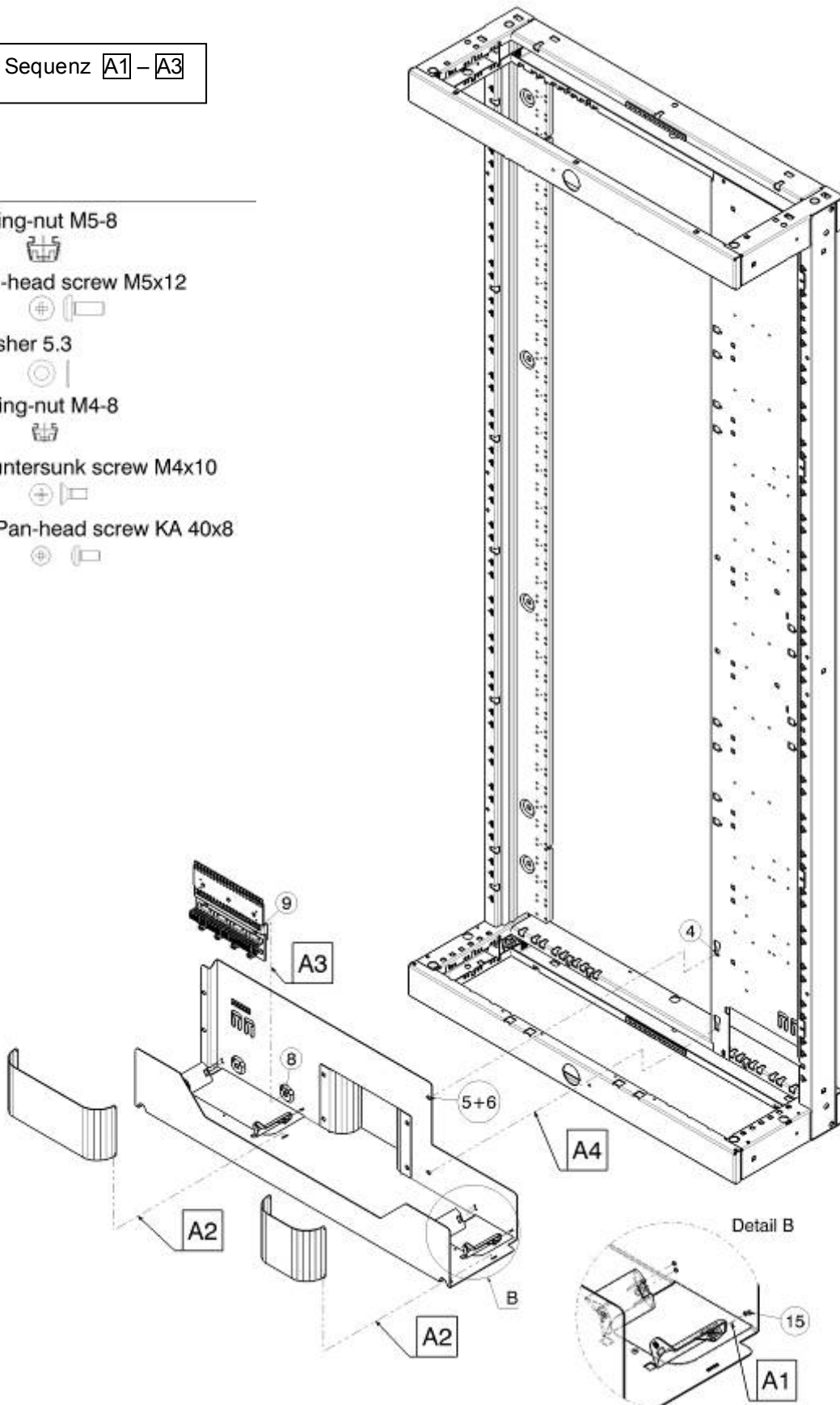
Montageanweisung · Notice de montage · Assembly Instruction
NGR 3-22



- NGR Patch Cord Routing Channel for Microduct

Mounting Sequenz **A1** – **A3**

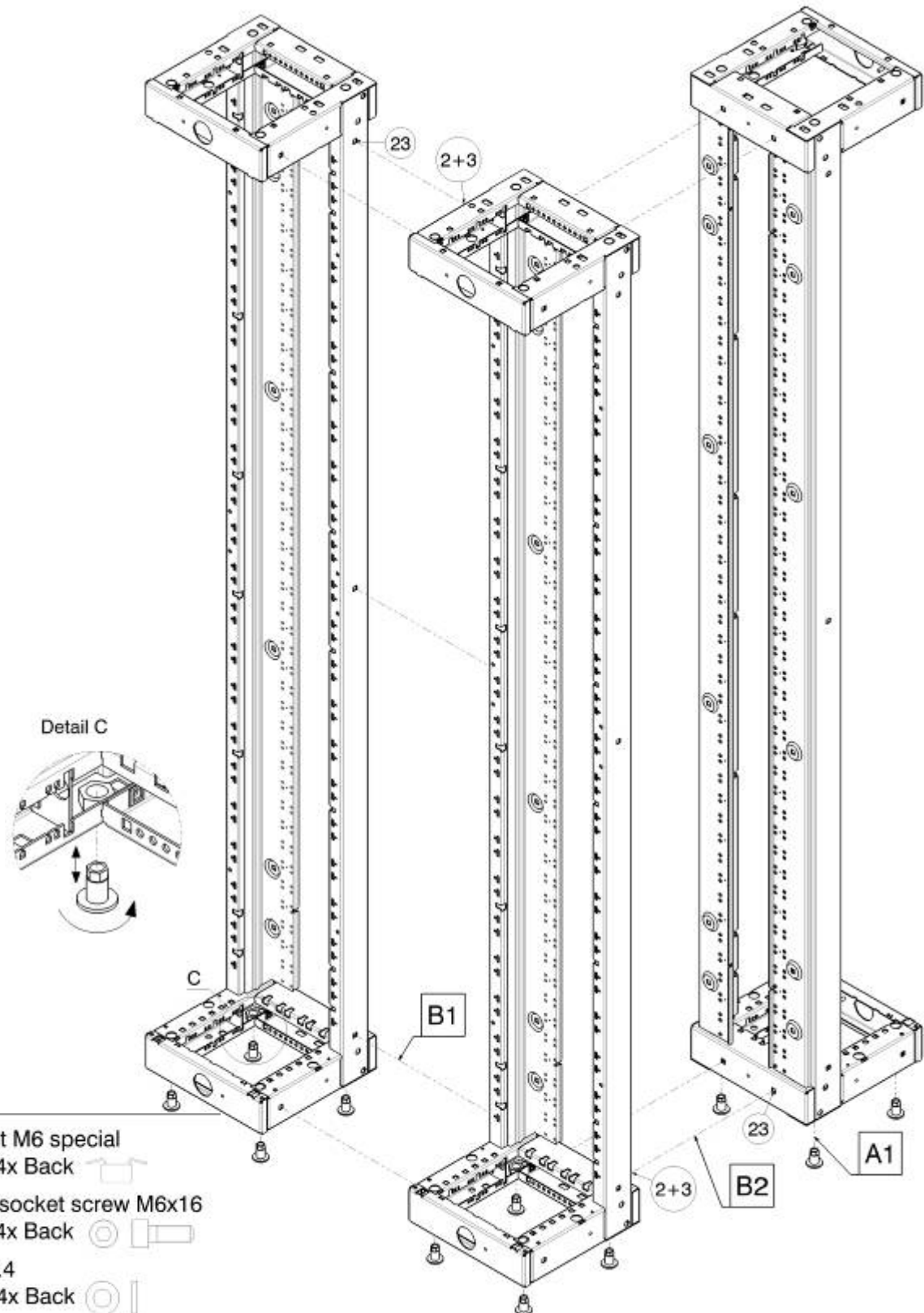
- 4 Spring-nut M5-8
4x
- 5 Pan-head screw M5x12
4x
- 6 Washer 5.3
4x
- 8 Spring-nut M4-8
2x
- 9 Countersunk screw M4x10
2x
- 15 PT Pan-head screw KA 40x8
8x





- NGR Mounting together

Mounting Sequenz **A1** – **B2**

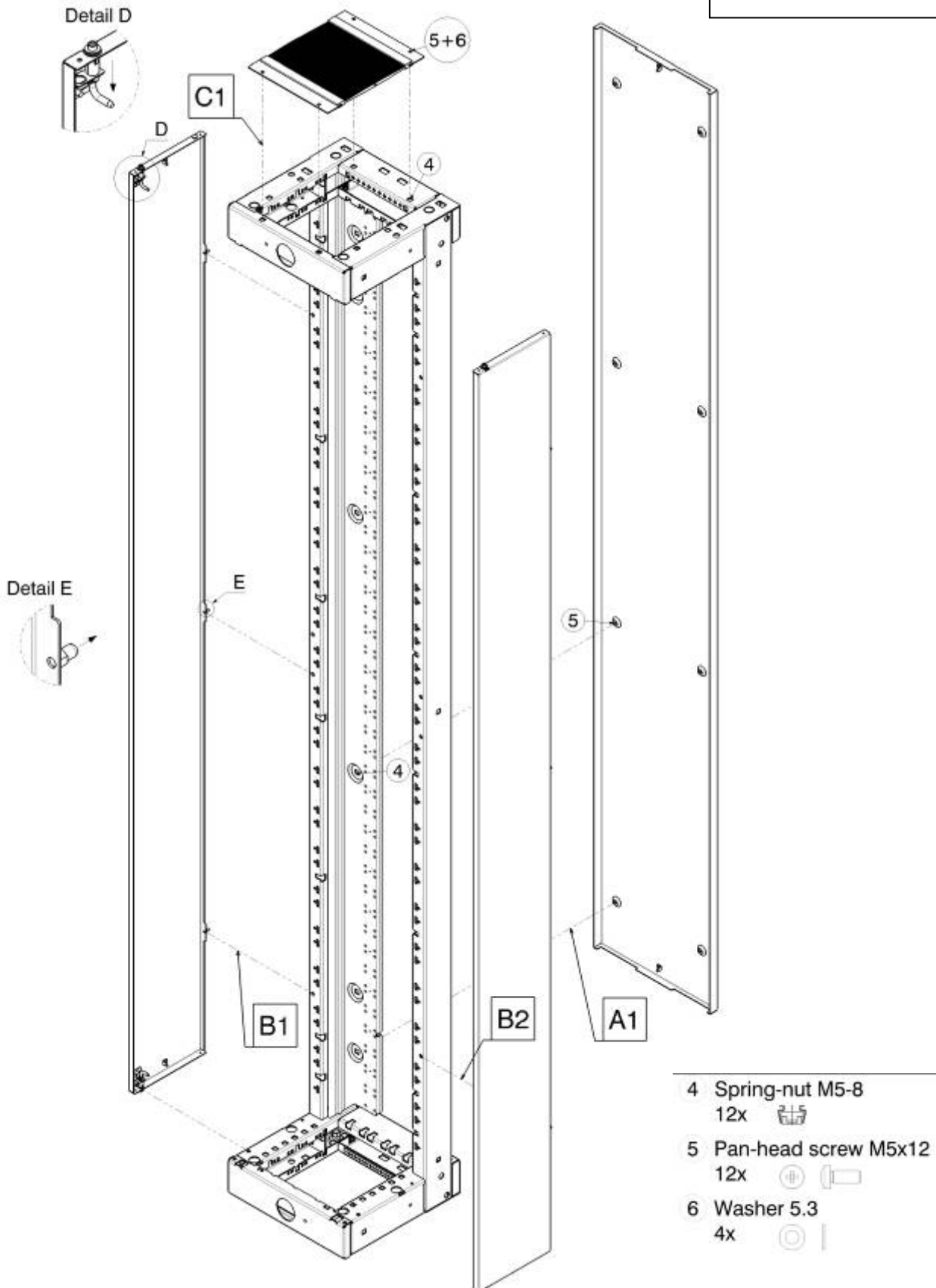


- 23 Spring-nut M6 special
5x Side / 4x Back
- 2 Hexagon-socket screw M6x16
5x Side / 4x Back
- 3 Washer 6.4
5x Side / 4x Back



• NGR Walls and Roof

Mounting Sequenz **A1** – **C1**





• NGR Doors

Mounting Sequenz **A1** – **C1**

12 Spring-nut M8
4x



13 Hexagon-head screw M8x12
4x



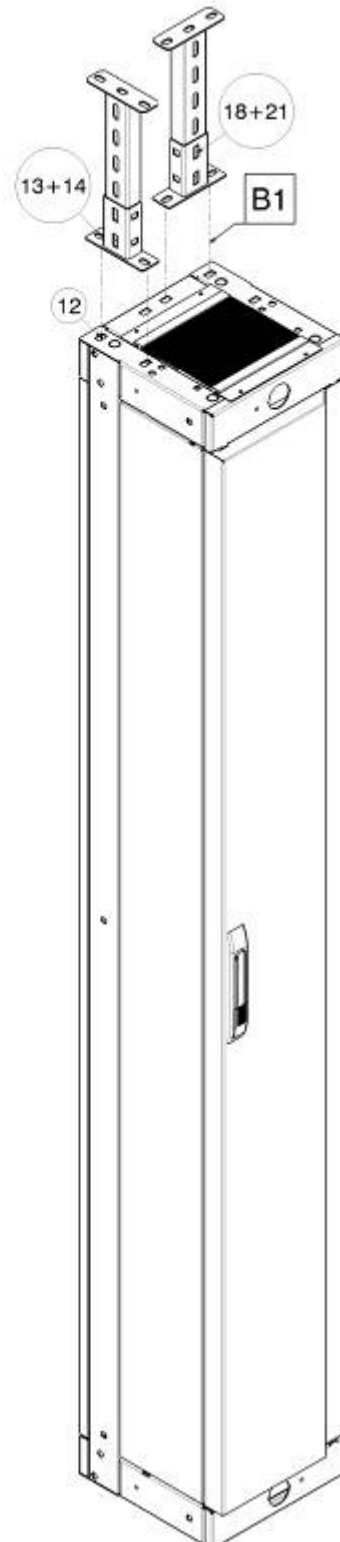
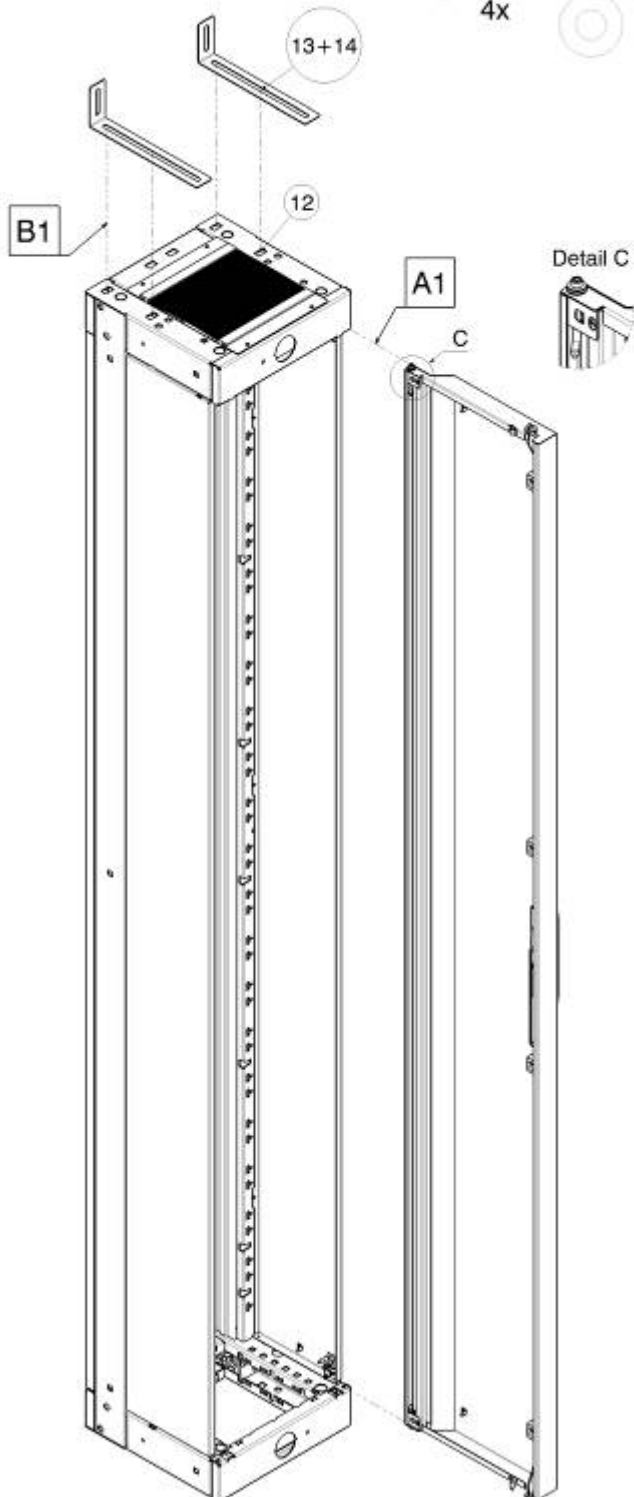
14 Washer 8.6
4x



18 Hexagon-nut M10
4x

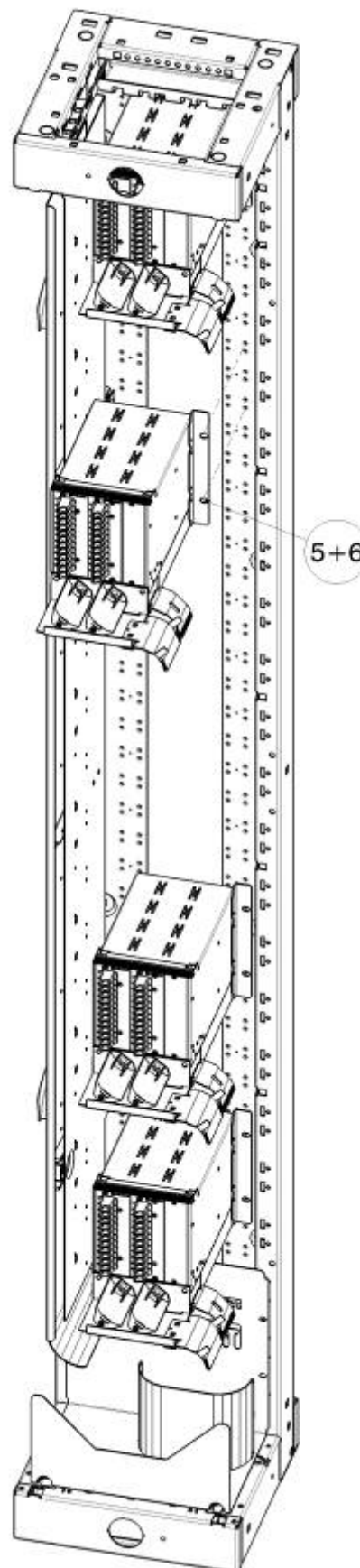


21 Pan-head screw M10x20
4x





- NGR BGT



1x BGT

5 Pan-head screw M5x12

4x  

6 Washer 5.3

4x  



• NGR Zubehör/Accessoires

| Pos. | Artikel | VPE | SAP-Nr. | HUBER+SUHNER Nr. |
|------|-----------------------------------------------------------------|-------|---------|------------------|
| 1. | NGR ODF-Rack Top Entry (B900xT300xH2200) | 1 | 127926 | 84070745 |
| 2. | NGR ODF-Rack Bottom Entry (B900xT300xH2200) | 1 | 127927 | 84070746 |
| 3. | NGR Türensatz, geteilt 600/300, für KABA-Schliessung | 1 | 127928 | 84070747 |
| 4. | NGR Seitenwand, links oder rechts | 1 | 127929 | 84068179 |
| 5. | NGR Abfangplatte für 4 Erdkabel, Erweiterung | 1 | 127920 | 84069826 |
| 6. | NGR Befestigungsbügel für Abfangplatte | 1 | | 84068204 |
| 7. | NGR Bodenabdeckung für Hohlbodenmontage | 1 | 127931 | 84070749 |
| 8. | NGR Deckenbestigung, 1000mm | 1 | | 84069172 |
| 9. | NGR Rückwand 900 | 1 | | 84068165 |
| 10. | NGR LISA Spleisskassette 24Fs LC/APC ANT | 1 | 127962 | 84070750 |
| 11. | TrayUnit, 6 HE | 1 | | 84016903 |
| 12. | Dokumentenhalter, 1 HE | 1 | | 84018387 |
| 13. | Schutzrohr, geschlitzt | 100m | | 84010108 |
| 14. | Einziehwerkzeug für Schutzrohr, geschlitzt | 1 | | 84025982 |
| 15. | FiberTray Label 1 – 24, 1 – 84 fortlaufend, selbstklebend | 84 | | 84072921 |
| 16. | Kit Schutzrohr, geschlitzt, nummeriert, 1 - 84 abgestuft, oben | 1 Set | | 84072995 |
| 17. | Schutzrohr, geschlitzt | 5m | | 84010106 |
| 18. | Kit Schutzrohr, geschlitzt, nummeriert, 1 - 84 abgestuft, unten | 1 Set | | 84073298 |

| Pos | Produit | Unité | SAP-No. | HUBER+SUHNER No. |
|-----|---------------------------------------------------------------|-------|---------|------------------|
| 1. | NGR ODF-Rack Top Entry (B900xT300xH2200) | 1 | 127926 | 84070745 |
| 2. | NGR ODF-Rack Bottom Entry (B900xT300xH2200) | 1 | 127927 | 84070746 |
| 3. | NGR jeu de portes | 1 | 127928 | 84070747 |
| 4. | NGR panneau latéral, gauche ou droit | 1 | 127929 | 84068179 |
| 5. | NGR plaque de fixation des cables | 1 | 127920 | 84069826 |
| 6. | NGR rail pour fixation des rilsans | 1 | | 84068204 |
| 7. | NGR couvercle pour faux plancher | 1 | 127931 | 84070749 |
| 8. | NGR fixation de plafond, 1000mm | 1 | | 84069172 |
| 9. | NGR panneau arrière 900 | 1 | | 84068165 |
| 10. | NGR LISA cassette de raccordement 24Fs LC/APC ANT | 1 | 127962 | 84070750 |
| 11. | TrayUnit, 6 U | 1 | | 84016903 |
| 12. | Support de documents, 1 U | 1 | | 84018387 |
| 13. | Tube de protection annelé | 100m | | 84010108 |
| 14. | Outil pour tube de protection annelé | 1 | | 84025982 |
| 15. | FiberTray Label 1–24, 1–84 autocollant de repérage | 84 | | 84072921 |
| 16. | Kit pour tube de protection annelé, gradué de 1 à 84, en haut | 1 Set | | 84072995 |
| 17. | Tube de protection annelé | 5m | | 84010106 |
| 18. | Kit pour tube de protection annelé, gradué de 1 à 84, en bas | 1 Set | | 84073298 |



Montageanweisung · Notice de montage · Assembly Instruction
NGR 3-22



| Pos. | Product | Unit | SAP-No. | HUBER+SUHRNER No. |
|------|-------------------------------------------------------|-------|---------|-------------------|
| 1. | NGR ODF-Rack Top Entry (B900xT300xH2200) | 1 | 127926 | 84070745 |
| 2. | NGR ODF-Rack Bottom Entry (B900xT300xH2200) | 1 | 127927 | 84070746 |
| 3. | NGR door set, separated 600/300, for KABA-lock | 1 | 127928 | 84070747 |
| 4. | NGR sidepanel, left or right | 1 | 127929 | 84068179 |
| 5. | NGR cable fixing plate | 1 | 127920 | 84069826 |
| 6. | NGR cable tie rail | 1 | | 84068204 |
| 7. | NGR cover for raised floor | 1 | 127931 | 84070749 |
| 8. | NGR ceiling fixation, 1000mm | 1 | | 84069172 |
| 9. | NGR back wall 900 | 1 | | 84068165 |
| 10. | NGR LISA splice cassette 24Fs LC/APC ANT | 1 | 127962 | 84070750 |
| 11. | TrayUnit, 6 U | 1 | | 84016903 |
| 12. | Document holder, 1 U | 1 | | 84018387 |
| 13. | Conduit slotted | 100m | | 84010108 |
| 14. | Tool for conduit slotted | 1 | | 84025982 |
| 15. | FiberTray Label 1–24, 1–84 consecutive, self-adhesive | 84 | | 84072921 |
| 16. | Conduit kit, slotted, numbered, 1-84 staged, top | 1 Set | | 84072995 |
| 17. | Conduit slotted | 5m | | 84010106 |
| 18. | Conduit kit, slotted, numbered, 1-84 staged, bottom | 1 Set | | 84073298 |