

ASSEMBLY NO.	DIM. "L"	2.0 GHz		18.0 GHz		40.0 GHz	
		VSWR	LOSS, dB	VSWR	LOSS, dB	VSWR	LOSS, dB
minibend KA-2.5	2.50 (63.5)	1.20:1	0.21	1.40:1	0.55	1.55:1	0.93
minibend KA-3	3.00 (76.2)	1.20:1	0.22	1.40:1	0.60	1.55:1	1.01
minibend KA-3.5	3.50 (88.9)	1.20:1	0.24	1.40:1	0.64	1.55:1	1.09
minibend KA-4	4.00 (101.6)	1.20:1	0.25	1.40:1	0.69	1.55:1	1.16
minibend KA-4.5	4.50 (114.3)	1.20:1	0.27	1.40:1	0.74	1.55:1	1.24
minibend KA-5	5.00 (127.0)	1.20:1	0.28	1.40:1	0.79	1.55:1	1.32
minibend KA-5.5	5.50 (139.7)	1.20:1	0.30	1.40:1	0.84	1.55:1	1.39
minibend KA-6	6.00 (152.4)	1.20:1	0.32	1.40:1	0.89	1.55:1	1.47
minibend KA-6.5	6.50 (165.1)	1.20:1	0.33	1.40:1	0.94	1.55:1	1.55
minibend KA-7	7.00 (177.8)	1.20:1	0.35	1.40:1	0.99	1.55:1	1.62
minibend KA-8	8.00 (203.2)	1.20:1	0.38	1.40:1	1.09	1.55:1	1.78
minibend KA-9	9.00 (228.6)	1.20:1	0.41	1.40:1	1.19	1.55:1	1.93
minibend KA-10	10.00 (254.0)	1.20:1	0.44	1.40:1	1.28	1.55:1	2.08
minibend KA-11	11.00 (279.4)	1.20:1	0.47	1.40:1	1.38	1.55:1	2.24
minibend KA-12	12.00 (304.8)	1.20:1	0.50	1.40:1	1.48	1.55:1	2.39
minibend KA-13	13.00 (330.2)	1.20:1	0.53	1.40:1	1.58	1.55:1	2.54
minibend KA-14	14.00 (355.6)	1.20:1	0.56	1.40:1	1.68	1.55:1	2.70
minibend KA-15	15.00 (381.0)	1.20:1	0.59	1.40:1	1.78	1.55:1	2.85
minibend KA-16	16.00 (406.4)	1.20:1	0.62	1.40:1	1.87	1.55:1	3.00
minibend KA-							

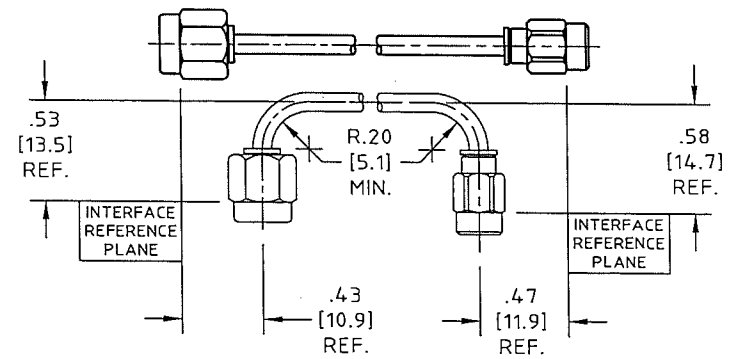
NOTES:

- DESCRIPTION,
CABLE ASSEMBLY, 2.9mm PLUG TO SSMA PLUG.
- CABLE,
COAXIAL CABLE H+S Astrolab P/N 32081 MEETS OR EXCEEDS MIL-DTL-17 SEE H+S Astrolab CONTROL DRAWING FOR MATERIALS AND FINISHES.
- CONNECTOR -A-, 2.9mm PLUG:
H+S Astrolab P/N 29094KC-32-81 INTERFACE DIMENSIONS IAW MIL-STD-348. SEE H+S Astrolab CONTROL DRAWING FOR MATERIALS AND FINISHES.
- CONNECTOR -B-, SSMA PLUG:
H+S Astrolab P/N 29112C-32-81 IAW MIL-STD-348. SEE H+S Astrolab CONTROL DRAWING FOR MATERIALS AND FINISHES.
- MARKING:
MARKING APPROXIMATELY CENTERED, DIRECTLY ON CABLE, H+S Astrolab PART NUMBER AND DATE CODE. NO MARKING ON CABLE ASSEMBLIES SHORTER THAN 3.00" MARKING ON PACKING ONLY.
- ELECTRICAL CHARACTERISTICS:
IMPEDANCE,
50.0 Ohms NOMINAL.
FREQUENCY, INSERTION LOSS AND VSWR SEE CHART.
- MECHANICAL:
OPERATING TEMPERATURE RANGE,
-55° C TO +125° C.
PULL STRENGTH TO 15.0 LBS. [67 N].

CONTROL DRAWING

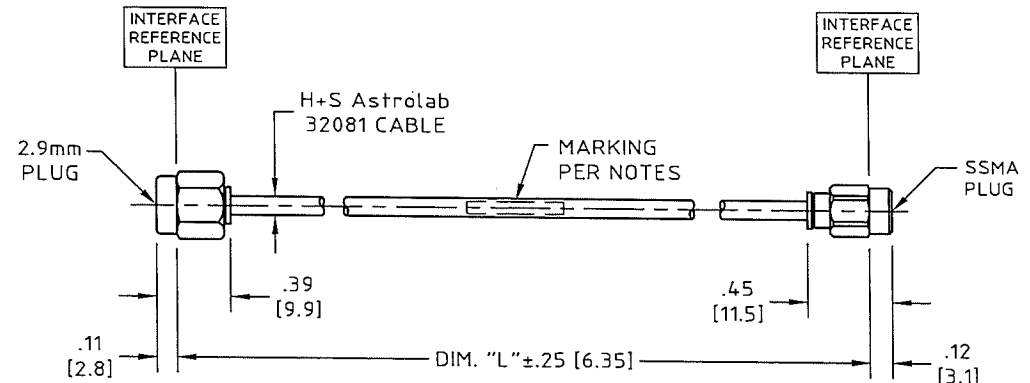
minibend KA-XX

G



SHOWN ABOVE IS TYPICAL INSTALLATION.

ROHS 5/6 COMPLIANT



UNLESS OTHERWISE SPECIFIED
CONCENTRICITY .004 T.I.R.
CORNERS AND FILLETS .005
MAX. RADIUS OR CHAMFER
SURFACE FINISH 63 RMS
MICROINCHES OR BETTER.

FRACTIONS	± 1/16
X	± .030
XX	± .015
XXX	± .005
ANGLES	± 1°
DO NOT SCALE DRAWING	

	NAME	DATE
PREP.	AP	10/30/03
ELEC.	RF	10/30/03
MECH.	GSG	10/30/03
Q.C.	AG	10/31/03



THIS DRAWING CONTAINS PATENTABLE AND PROPRIETARY INFORMATION. THE DESIGN CANNOT BE USED WITHOUT WRITTEN PERMISSION OF HUBER + SUHNER ASTROLAB.

TITLE		CABLE ASSEMBLY, 2.9mm PLUG TO SSMA PLUG	
THOS. TO BE IN ACCORD WITH U.S. DEPT. OF COMM. SCREW THD. STDS. FOR FEDERAL SERVICES 1950 SUPL. TO HANDBOOK H 28.	SCALE	CODE IDENT.	DWG NO.
	1:1	16301	minibend KA-XX
			REV G

G	COMPANY LOGO UPDATE	01/15/13	ENG 2	[Signature]
REV.	DESCRIPTION	DATE	BY	APPROVED