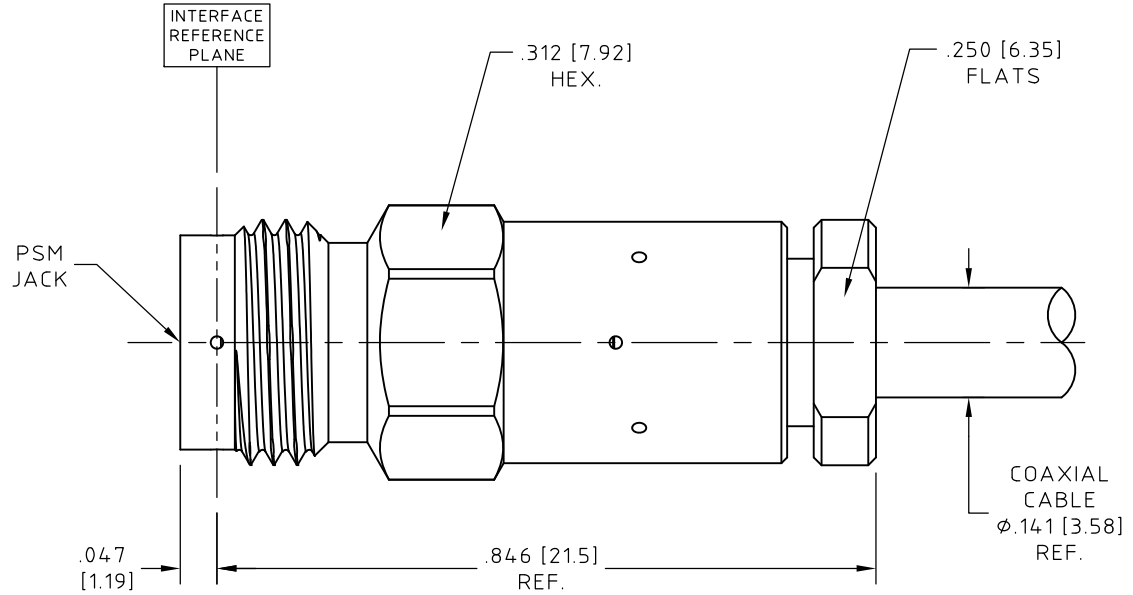


# CONTROL DRAWING

21\_PSM-50-3-1

B



**NOTES:**

1. DESCRIPTION,  
CONNECTOR, PRECISION, HIGH POWER PSM JACK,  
FOR HUBER+SUHNER Astrolab ASTRO-SEMI-RIGID 35000  
(PHASE STABLE/LOW LOSS) MICROWAVE COAXIAL CABLE.  
CONNECTOR IS LOW OUTGASSING AND MEETS  
NASA REQUIREMENTS FOR SPACE APPLICATIONS.
2. MATERIALS AND FINISHES,  
BODY, RETAINING NUT, SOLDER BUSHING AND CONTACT,  
BERYLLIUM COPPER ALLOY PER ASTM B-196,  
UNS No. C17300, TEMPER TD04(H).  
GOLD PLATED 100  $\mu$ N (2.54 $\mu$ M) MIN. THK.  
PER ASTM B-488, CODE C, TYPE II,  
OVER  
30  $\mu$ N (0.76  $\mu$ M) MIN. COPPER FLASH.  
DIELECTRIC,  
POLYTETRAFLUOROETHYLENE (PTFE) PER ASTM D-1710,  
OR ASTM D-4894, TYPE I, GRADE 1.
3. ELECTRICAL CHARACTERISTICS:  
IMPEDANCE  
50.0 Ohms NOMINAL.  
FREQUENCY  
18 GHz MAX.
4. PSM JACK INTERFACE IAW HUBER+SUHNER A.G.  
PUBLISHED INFORMATION.
5. OPERATING TEMPERATURE RANGE  
-55° C TO +125° C

NAME	DATE
PREP. AKP	05/23/17
ELEC. RF	05/23/17
MECH. GSG	05/23/17
Q.C.	

HUBER+SUHNER

Astrolab

THIS DRAWING CONTAINS PATENTABLE AND PROPRIETARY INFORMATION. THE DESIGN CANNOT BE USED WITHOUT WRITTEN PERMISSION OF HUBER + SUHNER ASTROLAB.

UNLESS OTHERWISE SPECIFIED  
CONCENTRICITY .004 T.I.R.  
CORNERS AND FILLETS .005  
MAX. RADIUS OR CHAMFER.  
SURFACE FINISH 63 RMS  
MICROINCHES OR BETTER.

FRACTIONS	± 1/16
X	± .030
XX	± .015
XXX	± .005
ANGLES	± 1°
DO NOT SCALE DRAWING	

TITLE		PSM JACK, FOR H+S Astrolab 35000 SEMIRIGID CABLE		SCALE	CODE IDENT.	DWG NO.	REV
THDS. TO BE IN ACCORD WITH U.S. DEPT. OF COMM. SCREW THD. STDS. FOR FEDERAL SERVICES 1950 SUPL. TO HANDBOOK H 28.							

B	ECN No. 20324	06/19/18	KF	
REV.	DESCRIPTION	DATE	BY	APPROVED