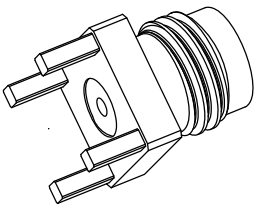


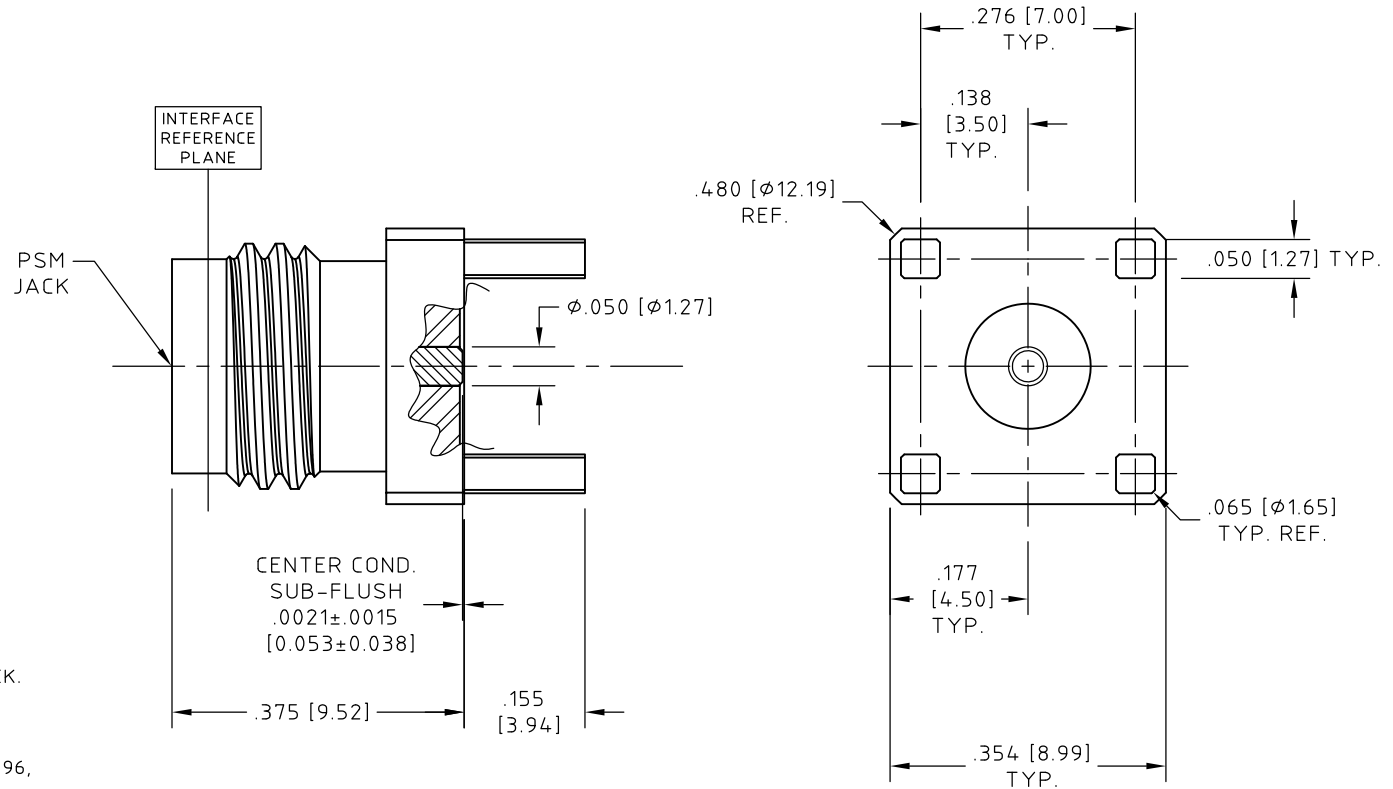
# CONTROL DRAWING

96\_PSM-50-0-1



ISOMETRIC VIEW  
REFERENCE ONLY

PART No.	SAP ID	B
96_PSM-50-0-1/119_UE	80351697	



NOTES:

- DESCRIPTION,  
PANEL MOUNT CONNECTOR, LAUNCHER PSM JACK.
- MATERIALS AND FINISHES,  
BODY, AND CENTER CONDUCTOR,  
BERYLLIUM COPPER ALLOY PER ASTM B-196,  
UNS No. C17300, TEMPER TD04(H),  
GOLD PLATED 50 µIN (1.27 µM) MIN. THK.  
PER ASTM B-488, CODE C, TYPE II, CLASS 1.27  
OVER  
NICKEL PLATE, 50 µIN (1.27 µM) MIN. THK.  
PER SAE-AMS-QQ-N-290, CLASS 1.  
DIELECTRIC,  
POLYTETRAFLUOROETHYLENE (PTFE) PER  
ASTM D-1710, OR ASTM D-4894,  
TYPE I, GRADE 1.
- ELECTRICAL CHARACTERISTICS:  
IMPEDANCE  
50.0 Ohms NOMINAL.  
FREQUENCY  
10.0 GHz MAX.
- PSM INTERFACE IS DESIGNED BY HUBER+SUHNER.  
JACK MATES WITH H+S Astrolab PSM PLUG.
- OPERATING TEMPERATURE RANGE  
-55° C TO +125° C.

UNLESS OTHERWISE SPECIFIED  
CONCENTRICITY .004 T.I.R.  
CORNERS AND FILLETS .005  
MAX. RADIUS OR CHAMFER.  
SURFACE FINISH 63 RMS  
MICROINCHES OR BETTER.

FRACTIONS	± 1/16
X	± .030
XX	± .015
XXX	± .005
ANGLES	± 1°
DO NOT SCALE DRAWING	

NAME	DATE
PREP. GSG	01/09/17
ELEC.	
MECH. MG	01/09/17
Q.C.	

THIS DRAWING CONTAINS PATENTABLE AND PROPRIETARY INFORMATION. THE DESIGN CANNOT BE USED WITHOUT WRITTEN PERMISSION OF HUBER + SUHNER ASTROLAB.

TITLE  
**SURFACE MOUNT CONNECTOR PSM JACK**

B	ECN No. 20298	06/11/18	KF		THDS. TO BE IN ACCORD WITH U.S. DEPT. OF COMM. SCREW THD. STDS. FOR FEDERAL SERVICES 1950 SUPL. TO HANDBOOK H 28.	SCALE 4:1	CODE IDENT. 16301	DWG NO. 96_PSM-50-0-1	REV B
REV.	DESCRIPTION	DATE	BY	APPROVED					