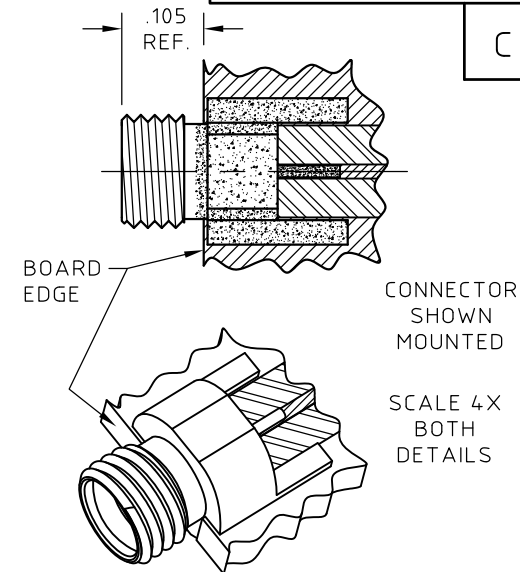
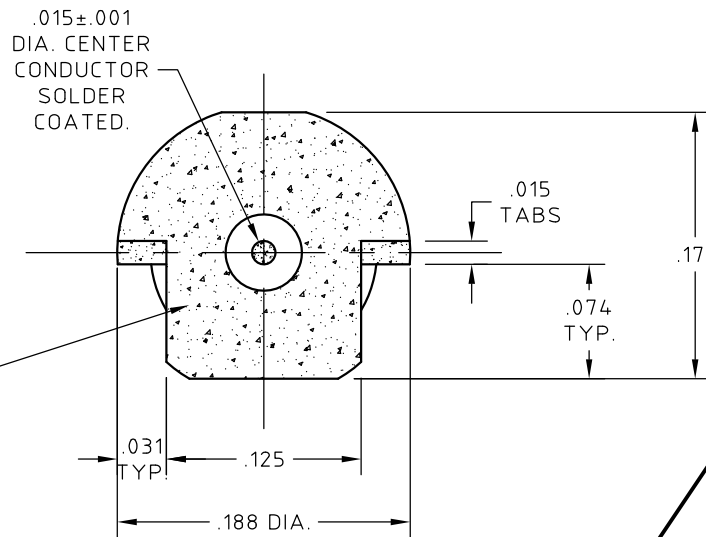
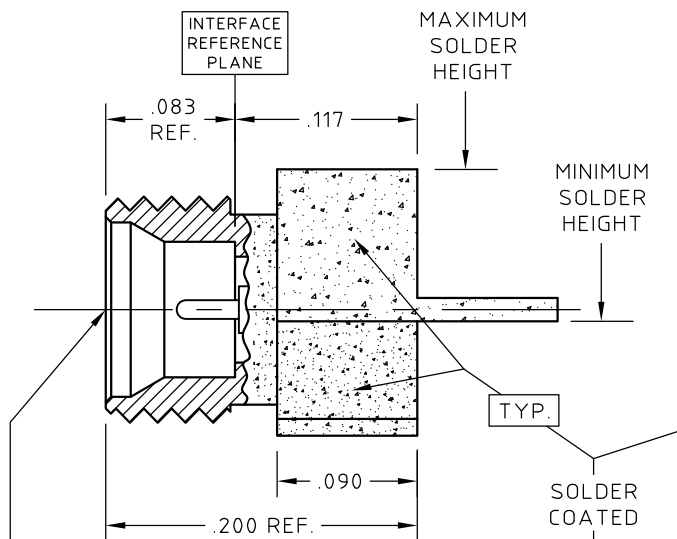


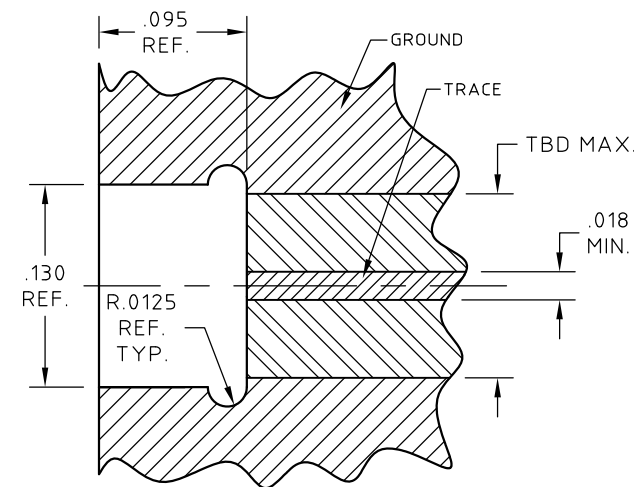
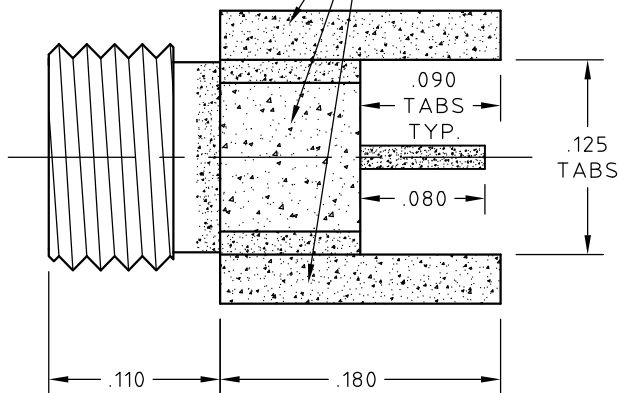
CONTROL DRAWING

29976BM-4-004



NOTES CONTINUED


2. MATERIALS AND FINISHES
 BODY AND CENTER CONDUCTOR, BERYLLIUM COPPER ALLOY PER ASTM B-196, UNS No. C17300, TEMPER TD04(H), GOLD PLATED .000050 IN (1.27 μm) MIN. THK. PER ASTM B-488, CODE C, TYPE II, CLASS 127
 OVER NICKEL PLATE, .000050 IN (1.27 μm) MIN. THK. PER SAE-AMS-QQ-N-290, TYPE 1.
 DIELECTRIC, POLYTETRAFLUOROETHYLENE (PTFE) PER ASTM D-1710, OR ASTM D-4894, TYPE I, GRADE 5.
3. ELECTRICAL CHARACTERISTICS:
 IMPEDANCE, 50.0 Ohms NOMINAL.
 FREQUENCY, TBD.
4. INTERFACE DEFINITION, SMPM MALE IS DESIGNED AND MANUFACTURED IAW MIL-STD-348 AND WILL MATE WITH SMPM FEMALE CONNECTOR THAT IS DESIGNED AND MANUFACTURED IAW MIL-STD-348.
5. OPERATING TEMPERATURE RANGE
 -55° C TO +125° C



NOTES

1. DESCRIPTION
 LAUNCHER, EDGE MOUNT, SMPM-T MALE, THREADED HUBER+SUHNER Astrolab SMPM MALE. MOUNTING BOARD MATERIAL TBD. TABS AND CENTER CONDUCTOR ARE SOLDER COATED AS SHOWN WITH SOLDER ALLOY Sn63Pb37A PER J-STD-006A. SOLDER ALLOY BUILDUP .003 MAX. WALL THICKNESS FROM DIMENSIONS SHOWN. SOLDER ICICLES MAY BE PRESENT ON SURFACES NOT INTERFERING WITH BOARD MOUNT.

MOUNTING CUT OUT
MOUNTING BOARD MATERIAL TBD

NAME	DATE	
PREP. GSG	06/22/10	
ELEC. RF	07/13/10	
MECH. AW	07/13/10	
Q.C.		

UNLESS OTHERWISE SPECIFIED
 CONCENTRICITY .004 T.I.R.
 CORNERS AND FILLETS .005
 MAX. RADIUS OR CHAMFER.
 SURFACE FINISH 63 RMS
 MICROINCHES OR BETTER.

FRACTIONS	± 1/16
X	± .030
XX	± .015
XXX	± .005
ANGLES	± 1°
DO NOT SCALE DRAWING	

TITLE		SCALE	CODE IDENT.	DWG NO.	REV
SMPM-T MALE, PC BOARD EDGE MOUNT CONNECTOR		8:1	16301	29976BM-4-004	C

REV.	DESCRIPTION	DATE	BY	APPROVED
C	REFERENCES REMOVED	11/19/13	GSG	

THDS. TO BE IN ACCORD WITH U.S. DEPT. OF COMM. SCREW THD. STDS. FOR FEDERAL SERVICES 1950 SUPL. TO HANDBOOK H 28.