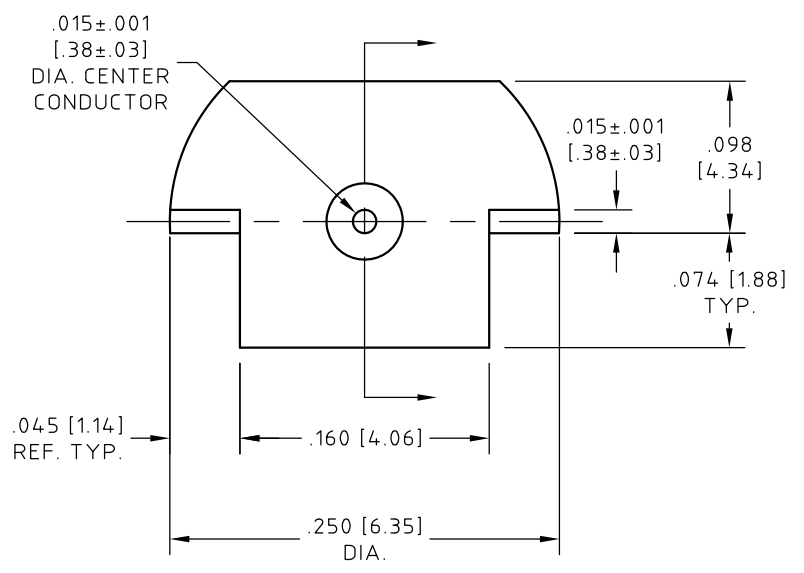
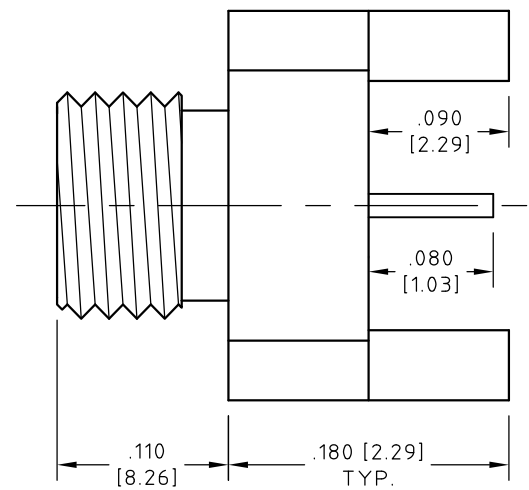
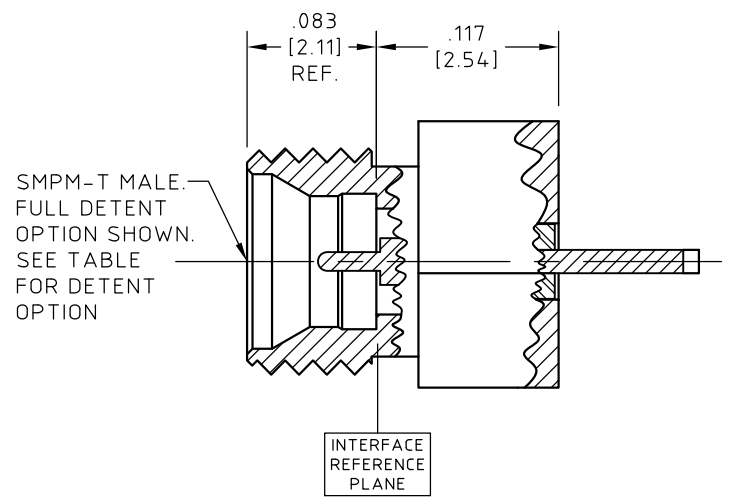


CONTROL DRAWING

29976BM-x-002

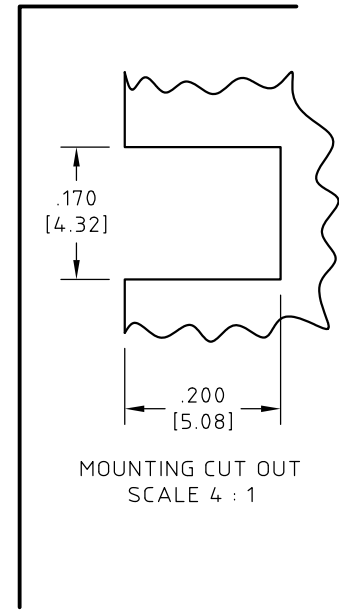
D



DETENT	PART No.
FULL DETENT	29976BM-2-002
SMOOTH BORE	29976BM-4-002

NOTES CONTINUED,

2. MATERIALS AND FINISHES
 BODY AND CENTER CONDUCTOR, BERYLLIUM COPPER ALLOY PER ASTM B-196, UNS No. C17300, TEMPER TD04(H), GOLD PLATED .000050 IN (1.27 μm) MIN. THK. PER ASTM B-488, CODE C, TYPE II, CLASS 1.27 OVER NICKEL PLATE, .000050 IN (1.27 μm) MIN. THK. PER SAE-AMS-QQ-N-290, TYPE 1. DIELECTRIC, POLYTETRAFLUOROETHYLENE (PTFE) PER ASTM D-1710, OR ASTM D-4894, TYPE I, GRADE 1.
3. ELECTRICAL CHARACTERISTICS:
 IMPEDANCE, 50.0 Ohms NOMINAL. FREQUENCY, 40.0 GHz MAX.
4. INTERFACE DEFINITION, SMPM MALE IS DESIGNED AND MANUFACTURED IAW MIL-STD-348 AND WILL MATE WITH SMPM FEMALE CONNECTOR THAT IS DESIGNED AND MANUFACTURED IAW MIL-STD-348.
5. OPERATING TEMPERATURE RANGE
 -55° C TO +125° C



NOTES

1. DESCRIPTION
 LAUNCHER, EDGE MOUNT, SMPM-T MALE, THREADED HUBER+SUHNER Astrolab SMPM MALE. FULL DETENT OPTION SHOWN SEE CHART FOR OPTIONS AND PART NUMBERS.

UNLESS OTHERWISE SPECIFIED CONCENTRICITY .004 T.I.R. CORNERS AND FILLETS .005 MAX. RADIUS OR CHAMFER. SURFACE FINISH 63 RMS MICROINCHES OR BETTER.

FRACTIONS	± 1/16
X	± .030
XX	± .015
XXX	± .005
ANGLES	± 1°
DO NOT SCALE DRAWING	

NAME	DATE
PREP. GSG	02/25/09
ELEC.	
MECH. AW	02/27/09
Q.C.	

HUBER+SUHNER
Astrolab

THIS DRAWING CONTAINS PATENTABLE AND PROPRIETARY INFORMATION. THE DESIGN CANNOT BE USED WITHOUT WRITTEN PERMISSION OF HUBER + SUHNER ASTROLAB.

TITLE
SMPM-T MALE, PC BOARD MOUNT CONNECTOR

D	COMPANY LOGO UPDATED	10/04/13	EF		THDS. TO BE IN ACCORD WITH U.S. DEPT. OF COMM. SCREW THD. STDS. FOR FEDERAL SERVICES 1950 SUPL. TO HANDBOOK H 28.	SCALE 8:1	CODE IDENT. 16301	DWG NO. 29976BM-x-002	REV D
REV.	DESCRIPTION	DATE	BY	APPROVED					