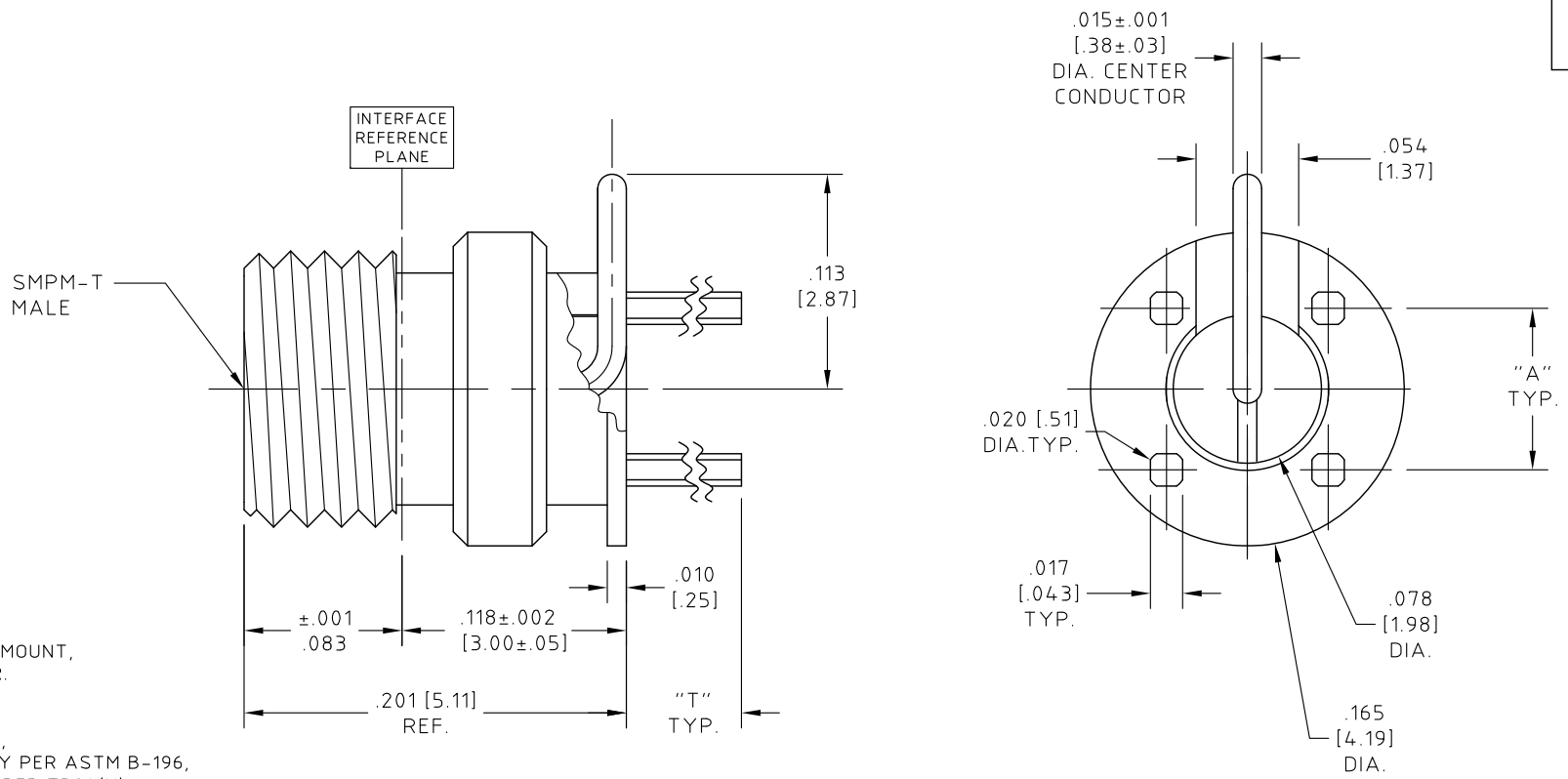


CONTROL DRAWING

29976S1-X-XXX

C



NOTES:

- DESCRIPTION**
CONNECTOR, THRU THE BOARD MOUNT, SMPM-T MALE, LAUNCHER.
- MATERIALS AND FINISHES**
BODY AND CENTER CONDUCTOR,
BERYLLIUM COPPER ALLOY PER ASTM B-196,
UNS No. C17300, TEMPER TD04(H),
GOLD PLATED .000050 IN (1.27 μm) MIN. THK.
PER ASTM B-488, CODE C, TYPE II, CLASS 1.27
OVER
NICKEL PLATE, .000050 IN (1.27 μm) MIN. THK.
PER SAE-AMS-QQ-N-290, TYPE 1.
DIELECTRIC,
POLYAMIDE-IMIDE (TORLON® 4203) ELECTRICAL GRADE,
PER ASTM D-5204
- ELECTRICAL CHARACTERISTICS:**
IMPEDANCE
50.0 Ohms NOMINAL.
- INTERFACE MEETS MIL-STD-348.
- OPERATING TEMPERATURE RANGE
-55° C TO +125° C
- MOUNTING PATTERNS,
CUSTOMER SPECIFIC FACTORS INCLUDING TRANSMISSION LINE TOPOLOGY,
SUBSTRATE THICKNESS AND MATERIAL, BOARD-STACKUP, OPERATING
FREQUENCY, ETC. MUST BE SUBMITTED TO HUBER+SUHNER Astrolab FOR
ANALYSIS PRIOR TO RELEASE OF FINAL PERFORMANCE LEVELS AND
MOUNTING CONFIGURATION.

DETENT	PART NUMBER	"T"	"A"
FULL DETENT	29976S1-2-140	.140 [3.56]	.085 [2.16]
SMOOTH BORE	29976S1-4-140	.140 [3.56]	.085 [2.16]

UNLESS OTHERWISE SPECIFIED
CONCENTRICITY .004 T.I.R.
CORNERS AND FILLETS .005
MAX. RADIUS OR CHAMFER.
SURFACE FINISH 63 RMS
MICROINCHES OR BETTER.

FRACTIONS	± 1/32
X	± .030
XX	± .015
XXX	± .005
ANGLES	± 1°
DO NOT SCALE DRAWING	

NAME	DATE
PREP. EF	06/22/09
ELEC. RF	06/23/09
MECH. GSG	06/23/09
Q.C.	

THIS DRAWING CONTAINS PATENTABLE AND PROPRIETARY INFORMATION. THE DESIGN CANNOT BE USED WITHOUT WRITTEN PERMISSION OF HUBER + SUHNER ASTROLAB.

TITLE
CONNECTOR, THRU THE BOARD MOUNT, SMPM-T MALE.

REV.	DESCRIPTION	DATE	BY	APPROVED	THDS. TO BE IN ACCORD WITH U.S. DEPT. OF COMM. SCREW THD. STDS. FOR FEDERAL SERVICES 1950 SUPL. TO HANDBOOK H 28.	SCALE	CODE IDENT.	DWG NO.	REV
C	ECN No. 15549	05/09/13	EB		10:1	16301	29976S1-X-XXX	C	