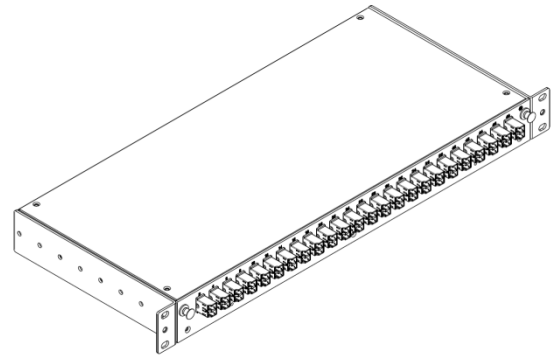


19" patch panel Fiberframe

Description

- Standard 19" 1U size
- Lightweight aluminium construction
- Telescopic drawer with tilt of 25°
- Up to 48 fibers per 1U
- Separate storage area for loose tubes and pigtails inside the housing
- 2 perforated plates integrated in the rear of the housing
- Additional exchangeable adapter plates for different cable systems available
- Moveable brackets for either even, reset or salient mounting
- ACS splice cassette technology accepting up to 24 fibers per cassette
- Colour coded pigtails as a standard
- Optional zero space cable management bar



Technical data

Mechanical data

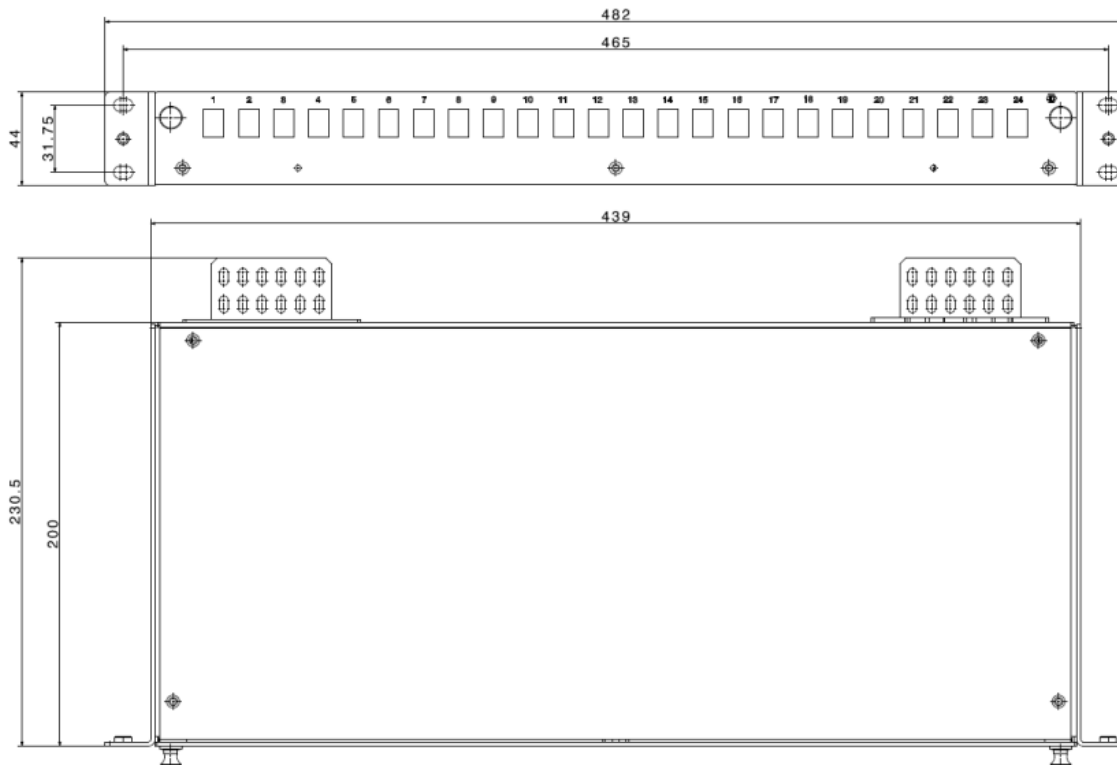
Description	Value
Dimensions	439 x 200 (230) x 44 mm 17.28 x 7.87 (9.06) x 1.73 in
Drawer tilt (pulled out)	25°
Mounting positions	-50 to +75 mm in 25 mm steps -2.0 to +3.0 in (1.0 in steps)
Rack height	1U
Adapter types	LC, LX.5, E-2000™, SC
Capacity	48 fibers with LC / LX.5 / E-2000™ connectivity 24 fibers with SC connectivity 2 ACS splice cassettes including pigtail management
ACS splice cassette capacity	24 splices with heat shrink or sandwich splice protection technology, with storage area for fibers
Loose tube storage area	yes, in bottom of drawer
Patch panel material	anodised aluminium
Weight (empty)	1.45 kg / 3.20 lb
Colour	aluminium silver

Environmental data

Characteristics	Value
Ingress protection degree	IP 20
Free of halogen	yes
2011/65/EC (RoHS)	fully compliant

19" patch panel Fiberframe

Technical drawing



19" patch panel Fiberframe

Ordering information (each housing is delivered with a mounting kit (M5), designation strip, Velcro straps and cable ties)

Unpopulated

Description	Item number
For 24 x LC duplex or LX.5 duplex adapters (1-48 numbering)	85063207
For 24 x LC duplex, LX.5 duplex or SC simplex adapters (1-24 numbering)	85063208
For 24 x E-2000™ simplex adapters	85063210
For 24 x E-2000™ duplex adapters	85063211

Patch variant – including adapters

Description	Item number
24 x LC duplex adapters, blue	85063212
24 x LC duplex adapters, green	85063213
24 x LC duplex adapters, beige	85063214
24 x SC simplex adapters, blue	85063215
24 x SC simplex adapters, green	85063216
24 x E-2000™ simplex adapters, green	85063217
24 x E-2000™ duplex adapters, green	85063218

Splice variant – including adapters, pigtails, splice cassettes and splice protector holders (sandwich/heat shrink)

Description	Item number
24 x LC duplex adapters, blue, with 48 x LC/UPC SM standard pigtails, DIN colour code	85063219
24 x LC duplex adapters, green, with 48 x LC/APC SM standard pigtails, DIN colour code	85063220
24 x LC duplex adapters, beige, with 48 x LC MM OM2 pigtails, DIN colour code	85063221
24 x SC simplex adapters, blue, with 24 x SC/UPC SM standard pigtails, DIN colour code	85063222
24 x SC simplex adapters, green, with 24 x SC/APC SM standard pigtails, DIN colour code	85063223
24 x E-2000™ simplex adapters, green, with 24 x E-2000™/APC SM grade B pigtails, DIN colour code	85063224
24 x E-2000™ duplex adapters, green, with 48 x E-2000™/APC SM grade B pigtails, DIN colour code	85063225

Fiberframe - accessories

Description	Item number
Entry plate suitable for MASTERLINE Classic small and medium (1 x each), 1 x M25 cable gland	85033023
Entry plate suitable for 2 x MASTERLINE Ultralite 2.0, 1 x M20 cable gland, 2 x SC shaped connectors	85033024
ACS splice cassette accepting up to 24 splices	84123330
ACS splice cassette cover	84123617
Sandwich splice protector holder, 24 way	84103969
Shrink splice protector holder, 24 way	84123618

Related documents

Standard front and back plates	DOC-0000711363
Installation manual	DOC-0000711362