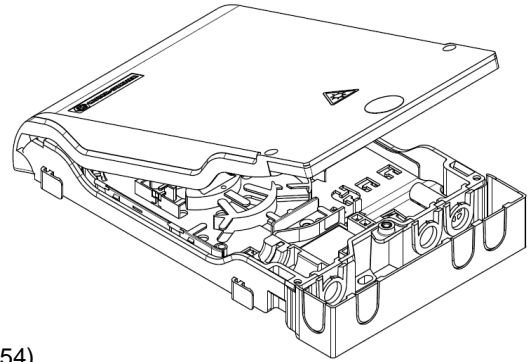


Wall boxes plastic Optibox 6

Description

Characteristics

- installer friendly splicing and patching box, consisting of base, tray and cover
- soluble fiber management tray (fiber inlay)
- record up to 6 adapters in SC format (12 LC connections)
- couplings, respectively, the connectors are mounted internally
- storage of uncut fibers in single element technique
- radius protected fiber overlength storage of 25mm
- pigtail to pigtail configuration possible
- special strain relief for incoming fiber optic cable
- up to 12 splices distributed on two superposed planes
- cable input and outputs are sealed with rubber half-shell
- Optional lock available
- UV resistant light housing
- Housing density corresponds to the requirements for outdoor applications (IP54)



The OptiBox 6 is a fiber optic distribution and termination enclosure, which is used for splicing, patching and recording of passive optical components.

The box is typically the telecom customers their commitment (Fiber to the Home) and is designed for wall mounting, either in the indoor or outdoor use (IP55).

Conventional loose tube cables, but also micro cable or micro ducts be secured within the housing, so that the optical fibers are protected from bending and environmental influences.

Technical data

Construction

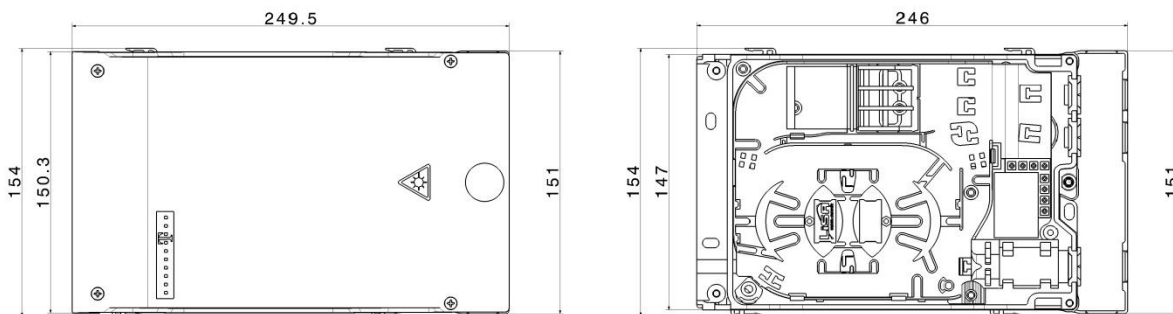
Description	Values	
Dimensions (W x L x H)	150 x 250 x 46 mm	5.9 x 9.84 x 1.81 inch
Capacity: detachable optical connections (inside)	12x LC, or 6x SC	
Dimension (Ø) cable or blow-in conduits	3 – 5 mm	0.11 - 0.19 inch
	6 – 8 mm	0.23 - 0.31 inch
Material:	enclosure (cover / base)	PC
	fiber inlay / extension tray	PC/ ABS
	enclosure sealing	TPE, shore 50A
	sealing grommets	TPE, shore 60A
Weight:	enclosure (cover / base)	455gr. 1 lbs
Color:	enclosure (cover / base)	RAL 7047
	Fiber inlay / extension tray	RAL 7047
	sealing grommets	RAL 9005, jet black
Ingress protection degree (EN60529)	IP55	
Resistance to Impact (EN60068-2-27)	passed	

Mechanical and environmental data

Wall boxes plastic Optibox 6

Description		Values
Temperature Resistance	Celsius	-40° ... +85°C
	Fahrenheit	4.4° ... 26.66°F
Insulation		fully insulated
Flamability rating	enclosure (cover / base)	UL 94C-0 / UL 94V-0
	fiber inlay / extension tray	UL 94V-0
	sealing grommets	UL 94V-2
UV Resistance	enclosure (cover / base)	resistant
	fiber inlay / extension tray	limited resistant
	sealing grommets	resistant
Free of halogen		yes
Chemical Resistance		good
RoHS compliance		fully compliant

Technical data cable gland



fiber management tray:

