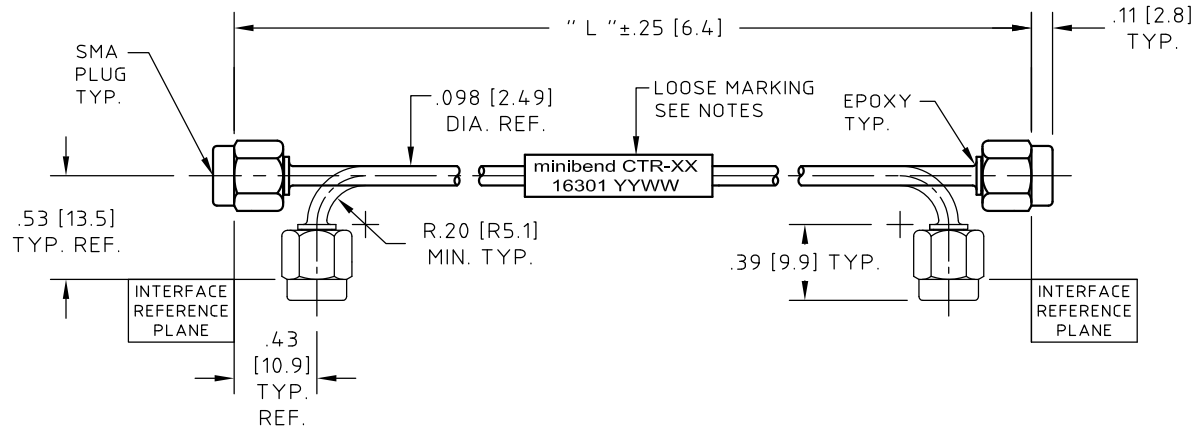


CONTROL DRAWING

minibend CTR-XX



NOTES:

- DESCRIPTION,
CABLE ASSEMBLY, SMA PLUG TO SMA PLUG,
RUGGEDIZED AND SUITABLE FOR COMPLEX,
CONGESTED INSTALLATIONS.
WHEN INSTALLED AND BEND AT THE MINIMUM
BEND RADIUS, CABLE ASSEMBLY WILL TOLERATE
MULTIPLE ±90° ROTATIONS AT THE CABLE
CONNECTOR JUNCTION.
- CABLE,
COAXIAL CABLE HUBER+SUHNER Astrolab P/N 32381E
MEETS OR EXCEEDS MIL-DTL-17
SEE HUBER+SUHNER Astrolab CONTROL DRAWING
FOR MATERIALS AND FINISHES.
- CONNECTOR -A-, SMA PLUG:
HUBER+SUHNER Astrolab P/N 29094CR-32381
INTERFACE DIMENSIONS IAW MIL-STD-348.
SEE HUBER+SUHNER Astrolab CONTROL DRAWING
FOR MATERIALS AND FINISHES.
- CONNECTOR -B-, SMA PLUG:
SAME AS CONNECTOR -A-.
- MARKING:
LOOSE FITTING WHITE SLEEVING CAPTIVATED
ON THE CABLE ASSEMBLY.
MARKING INCLUDES THE HUBER+SUHNER Astrolab
PART NUMBER, CAGE CODE AND THE DATE
CODE FOR DATE OF MANUFACTURE.

NOTES CONTINUED:

- OTHER MARKING AS DEFINED BY CUSTOMER.
NO MARKING ON CABLE ASSEMBLIES SHORTER
THAN 3.00 [76.2].
MARKING ON PACKAGING ONLY.
- ELECTRICAL CHARACTERISTICS:
IMPEDANCE,
50.0 Ohms NOMINAL.
FREQUENCY, INSERTION LOSS AND VSWR,
SEE CHART.
- MECHANICAL:
OPERATING TEMPERATURE RANGE,
-55° C TO +125° C.
MECHANICAL PERFORMANCE,
PULL STRENGTH TO 25.0 LBS. [111.2 N].
- ATTENUATION FORMULAS,
8A. CALCULATE AT 18.0 GHz
(dB) = 1.20 dB/FT. X L(ft.)+.25 dB
8B. CALCULATE AT 26.5 GHz
(dB) = 1.45 dB/FT. X L(ft.)+.31 dB.
- PHASE STABILITY VS TEMPERATURE,
(PPM) = 300 MAX., -55°C TO 125°C.

HUBER+SUHNER Astrolab PART NUMBER	DIMENSION "L"	18.0 GHz		26.5 GHz	
		VSWR	I.L. dB	VSWR	I.L. dB
minibend CTR-2.5	2.50 [63.5]	1.15:1	0.50	1.30:1	0.61
minibend CTR-3	3.00 [76.2]	1.15:1	0.55	1.30:1	0.67
minibend CTR-3.5	3.50 [88.9]	1.15:1	0.60	1.30:1	0.73
minibend CTR-4	4.00 [101.6]	1.15:1	0.65	1.30:1	0.79
minibend CTR-4.5	4.50 [114.3]	1.15:1	0.70	1.30:1	0.85
minibend CTR-5	5.00 [127.0]	1.15:1	0.75	1.30:1	0.91
minibend CTR-5.5	5.50 [139.7]	1.15:1	0.80	1.30:1	0.97
minibend CTR-6	6.00 [152.4]	1.15:1	0.85	1.30:1	1.04
minibend CTR-6.5	6.50 [165.1]	1.15:1	0.90	1.30:1	1.10
minibend CTR-7	7.00 [177.8]	1.15:1	0.95	1.30:1	1.16
minibend CTR-8	8.00 [203.2]	1.15:1	1.05	1.30:1	1.28
minibend CTR-9	9.00 [228.6]	1.15:1	1.15	1.30:1	1.40
minibend CTR-10	10.00 [254.0]	1.15:1	1.24	1.30:1	1.52
minibend CTR-11	11.00 [279.4]	1.15:1	1.34	1.30:1	1.64
minibend CTR-12	12.00 [304.8]	1.15:1	1.42	1.30:1	1.76
minibend CTR-13	13.00 [330.2]	1.15:1	1.53	1.30:1	1.88
minibend CTR-14	14.00 [355.6]	1.15:1	1.62	1.30:1	2.00
minibend CTR-15	15.00 [381.0]	1.15:1	1.73	1.30:1	2.12
minibend CTR-16	16.00 [406.4]	1.15:1	1.82	1.30:1	2.24
minibend CTR-17	17.00 [431.8]	1.15:1	1.95	1.30:1	2.36
minibend CTR-18	18.00 [457.2]	1.15:1	2.05	1.30:1	2.49
minibend CTR-19	19.00 [482.6]	1.15:1	2.15	1.30:1	2.61
minibend CTR-20	20.00 [508.0]	1.15:1	2.25	1.30:1	2.73
minibend CTR-		1.15:1		1.30:1	

SEE NOTE 8

UNLESS OTHERWISE SPECIFIED
CONCENTRICITY .004 T.I.R.
CORNERS AND FILLETS .005
MAX. RADIUS OR CHAMFER.
SURFACE FINISH 63 RMS
MICROINCHES OR BETTER.

FRACTIONS	± 1/16
X	± .030
XX	± .015
XXX	± .005
ANGLES	± 1°
DO NOT SCALE DRAWING	

NAME	DATE
PREP. EB	02/19/15
ELEC. RF	02/27/15
MECH. GSG	02/27/15
Q.C.	

THIS DRAWING CONTAINS PATENTABLE AND PROPRIETARY INFORMATION. THE DESIGN CANNOT BE USED WITHOUT WRITTEN PERMISSION OF HUBER + SUHNER ASTROLAB.

TITLE CABLE ASSEMBLY, SMA PLUG TO SMA PLUG, RUGGEDIZED		SCALE 1:1	CODE IDENT. 16301	DWG NO. minibend CTR-XX	REV C
--	--	--------------	----------------------	----------------------------	----------

ROHS 5/6 COMPLIANT

C	NOTE 9: TEMPERATURE RANGE WAS -40°C TO 85°C	06/11/15	GS	
REV.	DESCRIPTION	DATE	BY	APPROVED

THDS. TO BE IN ACCORD WITH U.S. DEPT. OF COMM. SCREW THD. STDS. FOR FEDERAL SERVICES 1950 SUPL. TO HANDBOOK H 28.	SCALE 1:1	CODE IDENT. 16301	DWG NO. minibend CTR-XX	REV C
---	--------------	----------------------	----------------------------	----------