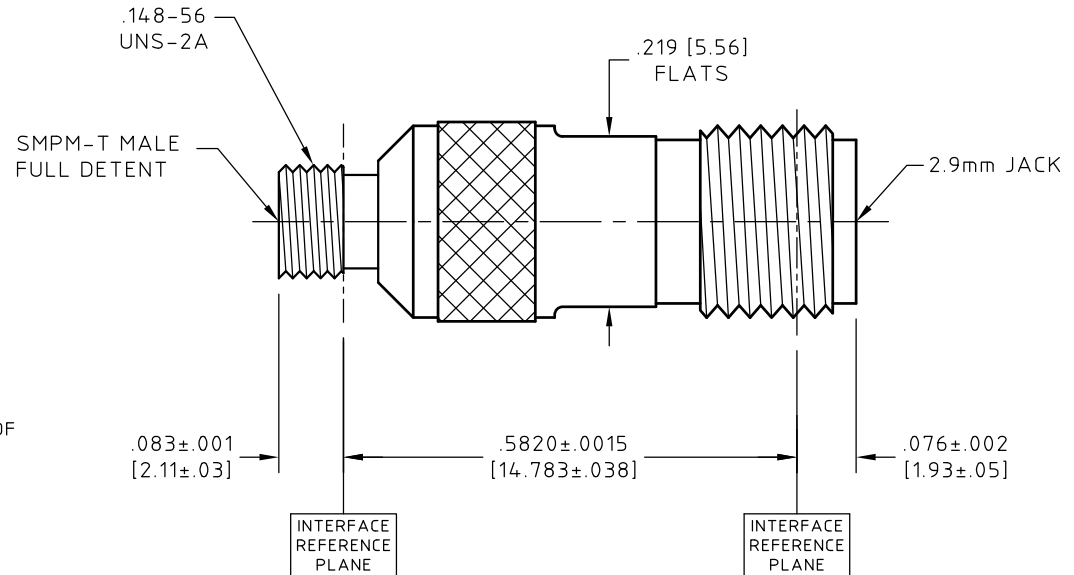


CONTROL DRAWING

29429-4T2

B



NOTES:

1. DESCRIPTION:

ASTRO-PHASE-SERIES ADAPTOR,
SMPM-T MALE, FULL DETENT TO 2.9mm JACK.
THIS ADAPTOR IS PART OF ASTRO-PHASE-SERIES, A SERIES OF
PHASE MATCHED ADAPTORS, OFFERED BY
HUBER+SUHNER Astrolab.

2. MATERIALS AND FINISHES:

BODY AND CENTER CONDUCTOR,
BERYLLIUM COPPER ALLOY PER ASTM B-196,
UNS No. C17300, TEMPER TD04(H),
GOLD PLATED .000050 IN (1.27 μM) MIN. THK.
PER ASTM B-488, CODE C, TYPE II, CLASS 1.27
OVER
NICKEL PLATE, .000050 IN (1.27 μM) MIN. THK.
PER SAE-AMS-QQ-N-290, CLASS 1.
DIELECTRIC,
POLYTETRAFLUOROETHYLENE (PTFE) PER ASTM D-1710,
OR ASTM D-4894, TYPE I, GRADE 1, CLASS A,
AND
POLYETHERIMIDE RESIN (PEI) (G.E. ULTEM®) PER ASTM D-5205

3. ELECTRICAL CHARACTERISTICS:

IMPEDANCE
50.0 Ohms NOMINAL.
FREQUENCY
40.0 GHz MAX.
INSERTION LOSS
0.40 dB MAX.
VSWR
1.35 : 1 MAX.

4. INTERFACES MEET MIL-STD-348.

5. OPERATING TEMPERATURE RANGE:

-55° C TO +125° C.

UNLESS OTHERWISE SPECIFIED
CONCENTRICITY .004 T.I.R.
CORNERS AND FILLETS .005
MAX. RADIUS OR CHAMFER.
SURFACE FINISH 63 RMS
MICROINCHES OR BETTER.

| | |
|----------------------|--------|
| FRACTIONS | ± 1/16 |
| X | ± .030 |
| XX | ± .015 |
| XXX | ± .005 |
| ANGLES | ± 1° |
| DO NOT SCALE DRAWING | |

| | |
|-----------|----------|
| NAME | DATE |
| PREP. GS | 08/03/12 |
| ELEC. | |
| MECH. GSG | 08/08/12 |
| Q.C. | |

HUBER+SUHNER
Astrolab

THIS DRAWING CONTAINS PATENTABLE AND PROPRIETARY
INFORMATION. THE DESIGN CANNOT BE USED WITHOUT
WRITTEN PERMISSION OF HUBER + SUHNER ASTROLAB.

| | | | |
|---|---|----------------------|----------------------|
| TITLE | ADAPTOR, SMPM-T MALE, FULL DETENT TO 2.9mm JACK | | |
| THDS. TO BE IN ACCORD WITH U.S. DEPT. OF COMM. SCREW THD. STDS. FOR FEDERAL SERVICES 1950 SUPL. TO HANDBOOK H 28. | SCALE 4:1 | CODE IDENT. 16301 | DWG NO. 29429-4T2 |
| REV. | | | B |

| | | | | |
|------|----------------------|----------|----|----------|
| B | COMPANY LOGO UPDATED | 10/04/13 | EF | |
| REV. | DESCRIPTION | DATE | BY | APPROVED |