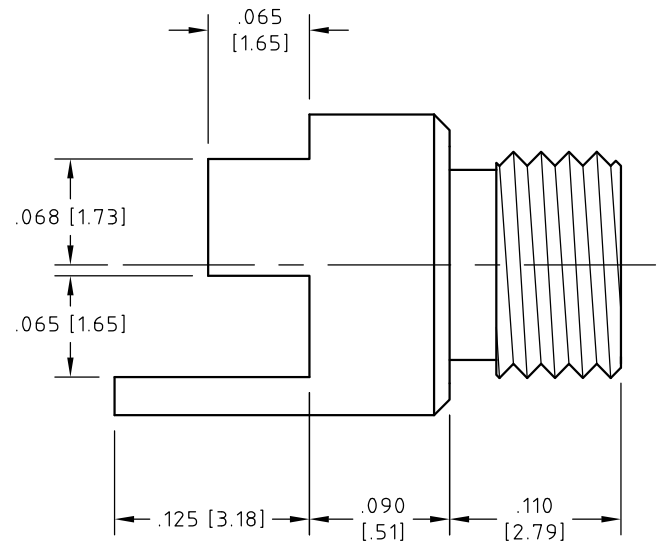
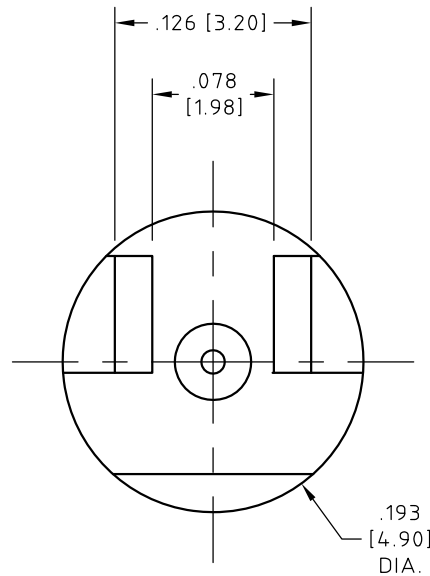
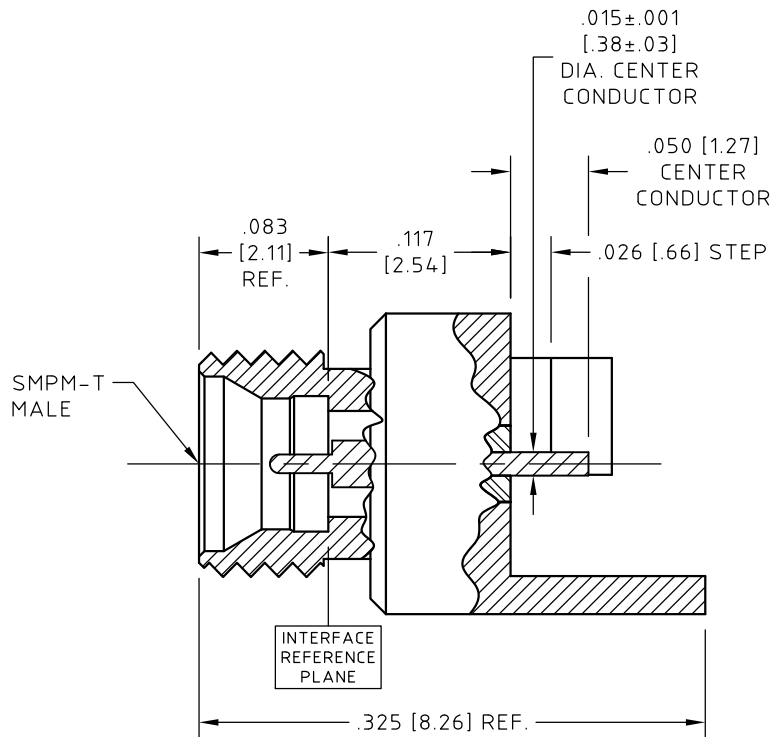


# CONTROL DRAWING

29976BM-X-001

J



NOTES:

- DESCRIPTION  
LAUNCHER, EDGE MOUNT, SMPM-T MALE, THREADED HUBER+SUHNER Astrolab SMPM MALE. FULL DETENT OPTION SHOWN SEE CHART FOR OPTIONS AND PART NUMBERS.
- MATERIALS AND FINISHES  
BODY AND CENTER CONDUCTOR, BERYLLIUM COPPER ALLOY PER ASTM B-196, UNS No. C17300, TEMPER TD04(H), GOLD PLATED 50 μIN (1.27 μM) MIN. THK. PER ASTM B-488, CODE C, TYPE II, CLASS 1.27 OVER NICKEL PLATE, 50 μIN (1.27 μM) MIN. THK. PER SAE-AMS-QQ-N-290, CLASS 1. DIELECTRIC, POLYTETRAFLUOROETHYLENE (PTFE) PER ASTM D-1710, OR ASTM D-4894, TYPE I, GRADE 1, CLASS A.
- ELECTRICAL CHARACTERISTICS:  
IMPEDANCE, 50.0 Ohms NOMINAL. FREQUENCY, 40.0 GHz MAX.
- INTERFACE DEFINITION, SMPM MALE IS DESIGNED AND MANUFACTURED IAW MIL-STD-348 AND WILL MATE WITH SMPM FEMALE CONNECTOR THAT IS DESIGNED AND MANUFACTURED IAW MIL-STD-348.

NOTES CONTINUED:

- OPERATING TEMPERATURE RANGE  
-55° C TO +125° C
- MOUNTING PATTERNS,  
CUSTOMER SPECIFIC FACTORS INCLUDING TRANSMISSION LINE TOPOLOGY, SUBSTRATE THICKNESS AND MATERIAL, BOARD-STACKUP, OPERATING FREQUENCY, ETC. MUST BE SUBMITTED TO HUBER+SUHNER Astrolab FOR ANALYSIS PRIOR TO RELEASE OF FINAL PERFORMANCE LEVELS AND MOUNTING CONFIGURATION.

DETENT	PART NUMBER
FULL DETENT	29976BM-2-001
SMOOTH BORE	29976BM-4-001

UNLESS OTHERWISE SPECIFIED CONCENTRICITY .004 T.I.R. CORNERS AND FILLETS .005 MAX. RADIUS OR CHAMFER. SURFACE FINISH 63 RMS MICROINCHES OR BETTER.

FRACTIONS	± 1/16
X	± .030
XX	± .015
XXX	± .005
ANGLES	± 1°
DO NOT SCALE DRAWING	

NAME	DATE
PREP. GSG	11/20/08
ELEC. RF	11/24/08
MECH. AW	11/24/08
Q.C.	

THIS DRAWING CONTAINS PATENTABLE AND PROPRIETARY INFORMATION. THE DESIGN CANNOT BE USED WITHOUT WRITTEN PERMISSION OF HUBER + SUHNER ASTROLAB.

TITLE	SMPM-T MALE, PC BOARD EDGE MOUNT CONNECTOR (LAUNCHER)		
THDS. TO BE IN ACCORD WITH U.S. DEPT. OF COMM. SCREW THD. STDS. FOR FEDERAL SERVICES 1950 SUPL. TO HANDBOOK H 28.	SCALE 8:1	CODE IDENT. 16301	DWG NO. 29976BM-X-001
REV.			J

J	ECN No. 15603	06/06/13	EB	
REV.	DESCRIPTION	DATE	BY	APPROVED