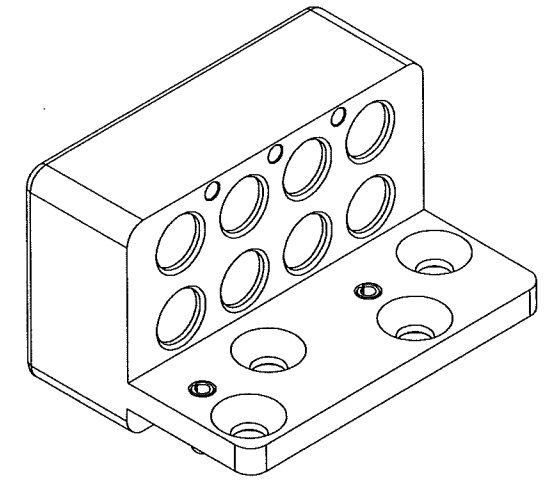
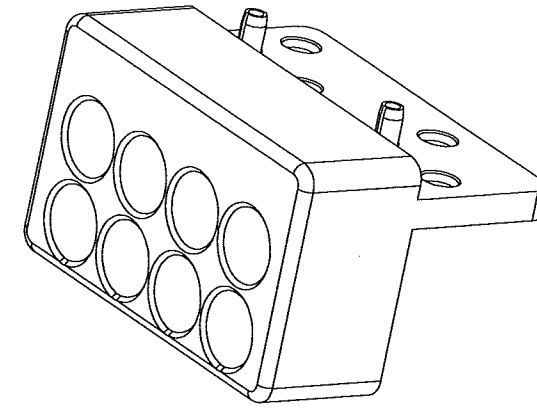
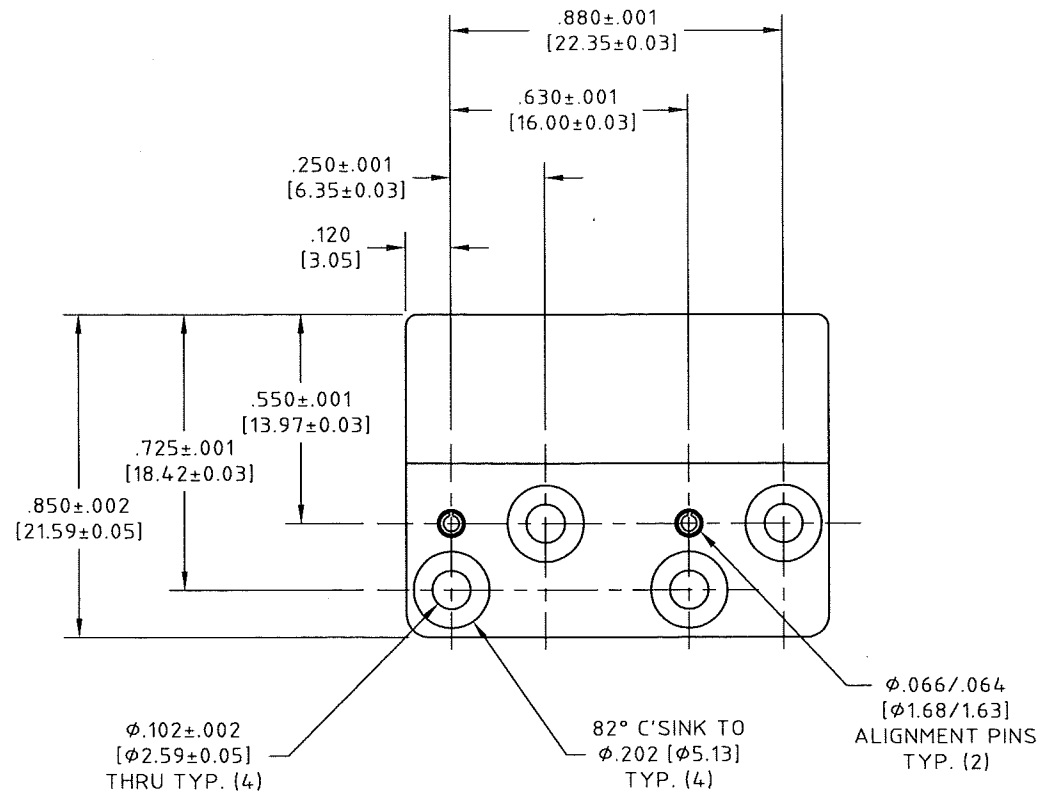


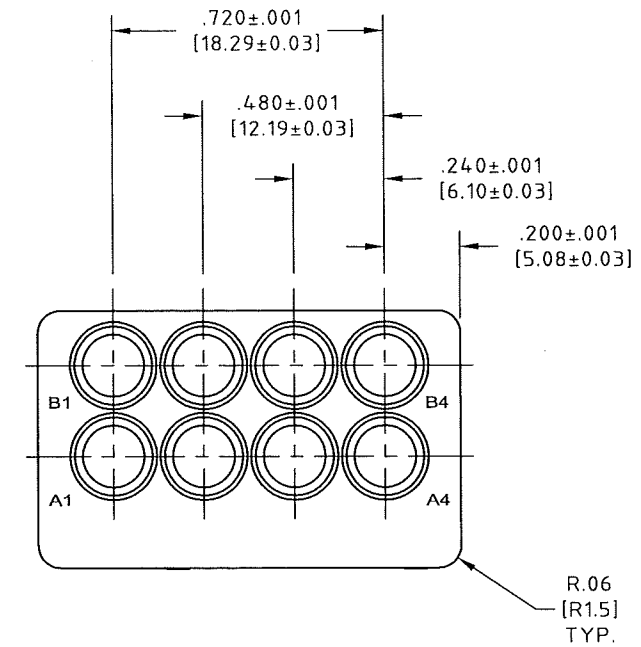
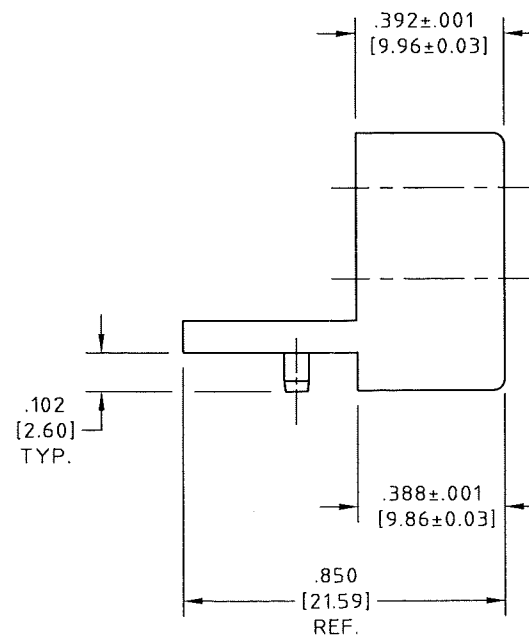
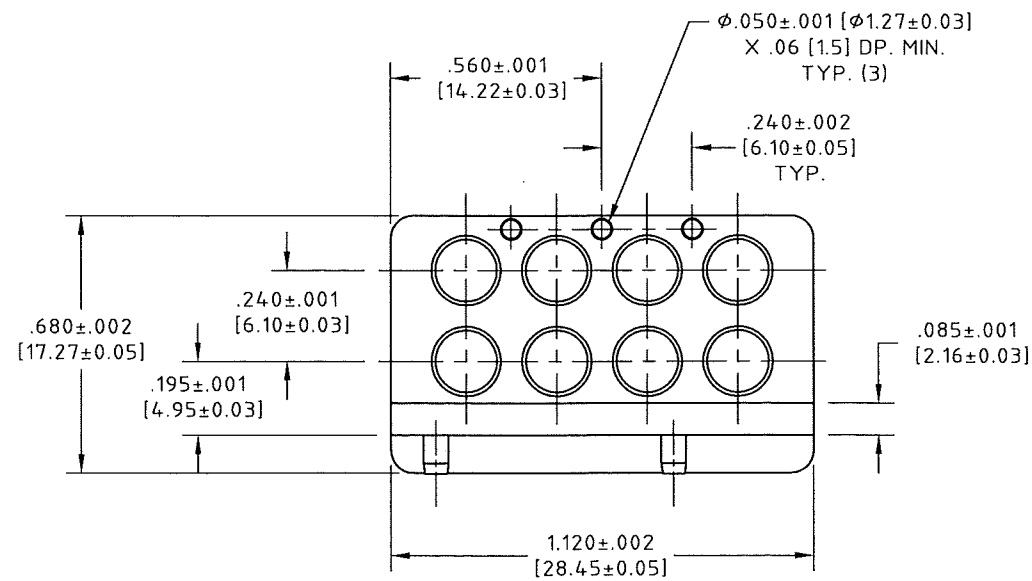
CONTROL DRAWING

29981-DCM8

A



ISOMETRIC VIEWS FOR REFERENCE ONLY



NOTES:

1. DESCRIPTION:
PLUG-IN MODULE, FOR (8) SMPM CONNECTORS IAW VITA 67.2

2. MATERIALS AND FINISHES:
MODULE
STEEL, CORROSION RESISTANT PER ASTM A-582, UNS No. S30300, COND. A, NON MAGNETIC, PASSIVATED PER SAE-AMS-2700. NO DICHROMATE SOLUTIONS USED.
ALIGNMENT PINS
STEEL, CORROSION RESISTANT PER ASTM A-313, UNS No. S30200. PASSIVATED PER SAE-AMS-2700.

UNLESS OTHERWISE SPECIFIED
CONCENTRICITY .004 T.I.R.
CORNERS AND FILLETS .005
MAX. RADIUS OR CHAMFER.
SURFACE FINISH 63 RMS
MICROINCHES OR BETTER.

FRACTIONS	± 1/16
X	± .030
XX	± .015
XXX	± .005
ANGLES	± 1'
DO NOT SCALE DRAWING	

REV.	DESCRIPTION	DATE	BY	APPROVED
A	ECN No. 16998	03/30/15	ENG B	[Signature]

NAME	DATE			
PREP. EB ENG 1	03/30/15			
ELEC.				
MECH.				
Q.C.		THIS DRAWING CONTAINS PATENTABLE AND PROPRIETARY INFORMATION. THE DESIGN CANNOT BE USED WITHOUT WRITTEN PERMISSION OF HUBER + SUHNER ASTROLAB.		
TITLE				
MODULE, VITA 67.2, (8) CONNECTOR CAVITY				
THDS. TO BE IN ACCORD WITH U.S. DEPT. OF COMM. SCREW THD. STDS. FOR FEDERAL SERVICES 1950 SUPL. TO HANDBOOK H 28.	SCALE 2:1	CODE IDENT. 16301	DWG NO. 29981-DCM8	REV A