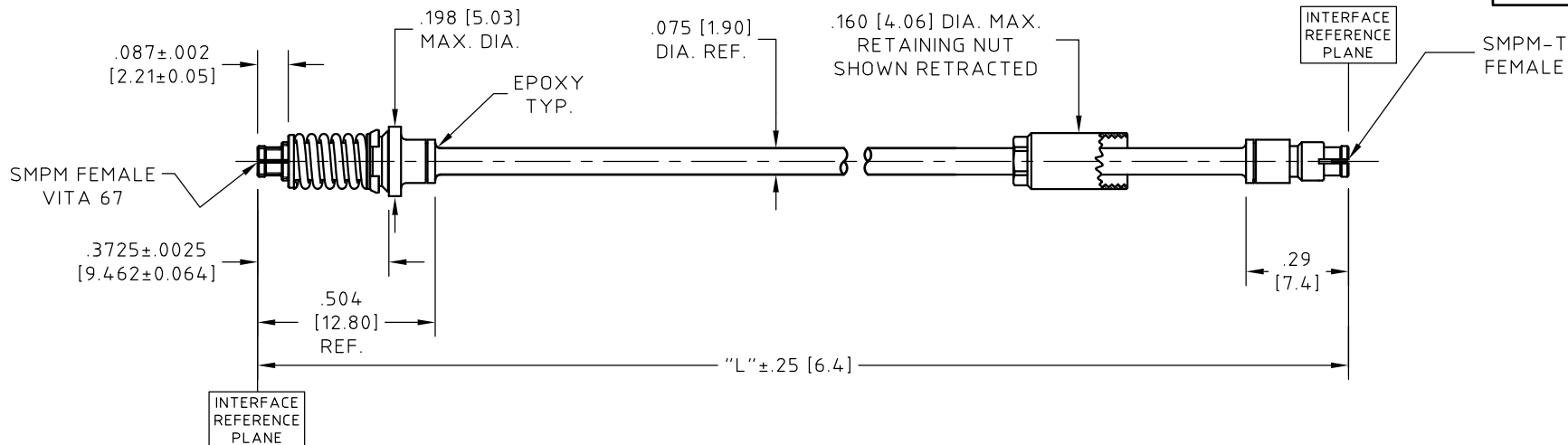


CONTROL DRAWING

32041E-29981SVCR-29971TCR-XX

A



HUBER+SUHNER Astrolab PART NUMBER	DIMENSION "L"	2.0 GHz		18 GHz		40 GHz		65 GHz	
		VSWR	I.L. dB	VSWR	I.L. dB	VSWR	I.L. dB	VSWR	I.L. dB
32041E-29981SVCR-29971TCR-3	3.00 (76.2)	1.12:1	0.27	1.33:1	0.76	1.55:1	1.18	1.75:1	1.58
32041E-29981SVCR-29971TCR-4	4.00 (101.6)	1.12:1	0.31	1.33:1	0.88	1.55:1	1.37	1.75:1	1.83
32041E-29981SVCR-29971TCR-5	5.00 (127.0)	1.12:1	0.35	1.33:1	1.00	1.55:1	1.56	1.75:1	2.07
32041E-29981SVCR-29971TCR-6	6.00 (152.4)	1.12:1	0.39	1.33:1	1.13	1.55:1	1.75	1.75:1	2.32
32041E-29981SVCR-29971TCR-7	7.00 (177.8)	1.12:1	0.42	1.33:1	1.25	1.55:1	1.93	1.75:1	2.57
32041E-29981SVCR-29971TCR-8	8.00 (203.2)	1.12:1	0.46	1.33:1	1.37	1.55:1	2.12	1.75:1	2.81
32041E-29981SVCR-29971TCR-9	9.00 (228.6)	1.12:1	0.50	1.33:1	1.49	1.55:1	2.31	1.75:1	3.06
32041E-29981SVCR-29971TCR-10	10.00 (254.0)	1.12:1	0.54	1.33:1	1.61	1.55:1	2.50	1.75:1	3.31
32041E-29981SVCR-29971TCR-11	11.00 (279.4)	1.12:1	0.57	1.33:1	1.73	1.55:1	2.68	1.75:1	3.55
32041E-29981SVCR-29971TCR-12	12.00 (304.8)	1.12:1	0.61	1.33:1	1.85	1.55:1	2.87	1.75:1	3.80
32041E-29981SVCR-29971TCR-13	13.00 (330.2)	1.12:1	0.65	1.33:1	1.97	1.55:1	3.06	1.75:1	4.05
32041E-29981SVCR-29971TCR-14	14.00 (355.6)	1.12:1	0.69	1.33:1	2.09	1.55:1	3.25	1.75:1	4.29
32041E-29981SVCR-29971TCR-15	15.00 (381.0)	1.12:1	0.72	1.33:1	2.21	1.55:1	3.43	1.75:1	4.54
32041E-29981SVCR-29971TCR-16	16.00 (406.4)	1.12:1	0.76	1.33:1	2.33	1.55:1	3.62	1.75:1	4.79
32041E-29981SVCR-29971TCR-		1.12:1		1.33:1		1.55:1		1.75:1	

NOTES:

- DESCRIPTION,
CABLE ASSEMBLY, SMPM FEMALE, VITA 67 TO SMPM-T FEMALE, THREADED.
- CABLE,
COAXIAL CABLE HUBER+SUHNER Astrolab P/N 32041E MEETS OR EXCEEDS MIL-DTL-17. SEE HUBER+SUHNER Astrolab CONTROL DRAWING FOR MATERIALS AND FINISHES.
- CONNECTOR -A-, SMPM FEMALE, VITA 67:
HUBER+SUHNER Astrolab P/N 29981SVCR-32-41 INTERFACE DIMENSIONS IAW MIL-STD-348. SEE HUBER+SUHNER Astrolab CONTROL DRAWING FOR MATERIALS AND FINISHES.
- CONNECTOR -B-, SMPM-T FEMALE:
HUBER+SUHNER Astrolab P/N 29971TCR-32-41 INTERFACE DIMENSIONS IAW MIL-STD-348. SEE HUBER+SUHNER Astrolab CONTROL DRAWING FOR MATERIALS AND FINISHES.

NOTES CONTINUED:

- MARKING:
NO MARKING ON CABLE ASSEMBLY. ALL MARKING WILL BE DONE ON PACKAGING.
- ELECTRICAL CHARACTERISTICS:
IMPEDANCE, 50.0 Ohms NOMINAL. FREQUENCY, INSERTION LOSS AND VSWR SEE CHART.
- MECHANICAL:
OPERATING TEMPERATURE RANGE, -55° C TO +125° C.

RoHS 5/6 COMPLIANT

UNLESS OTHERWISE SPECIFIED
CONCENTRICITY .004 T.I.R.
CORNERS AND FILLETS .005
MAX. RADIUS OR CHAMFER.
SURFACE FINISH 63 RMS
MICROINCHES OR BETTER.

FRACTIONS	± 1/16
X	± .030
XX	± .015
XXX	± .005
ANGLES	± 1°
DO NOT SCALE DRAWING	

NAME	DATE
PREP. GS	10/09/15
ELEC.	
MECH.	
Q.C.	

HUBER+SUHNER
Astrolab

THIS DRAWING CONTAINS PATENTABLE AND PROPRIETARY INFORMATION. THE DESIGN CANNOT BE USED WITHOUT WRITTEN PERMISSION OF HUBER + SUHNER ASTROLAB.

TITLE		CABLE ASS'Y, SMPM FEMALE, VITA 67 TO SMPM-T FEMALE, THREADED		
THDS. TO BE IN ACCORD WITH U.S. DEPT. OF COMM. SCREW THD. STDS. FOR FEDERAL SERVICES 1950 SUPL. TO HANDBOOK H 28.	SCALE	CODE IDENT.	DWG NO.	REV
	2:1	16301	32041E-29981SVCR-29971TCR-XX	A

A	ECN No. 17499	10/09/15	GS	
REV.	DESCRIPTION	DATE	BY	APPROVED