

INSTALLATION MANUAL

HUBER+SUHNER AG
Fiber Optics
Fiber Management Systems
DOC-0000767703 Rev A
Date: 25/11/2016

Page 1 of 3

PSF – Panel Support Frame

Table of contents

- SCOPE OF DELIVERY 1
- MOUNTING OPTIONS ON CABLE TRAY 2

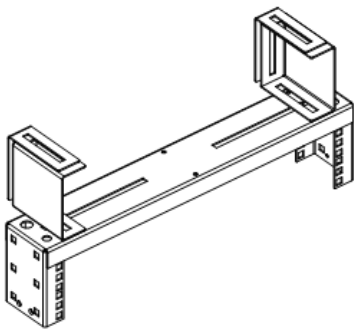


SCOPE OF DELIVERY

PSF – Panel Support Frame 2U

Item 85008425

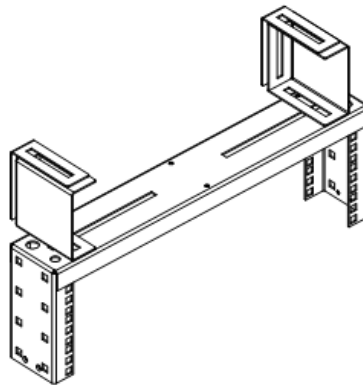
- 1 x Overhead frame 19" 2U
- 2 x Hanging brackets
- 2 x L shaped brackets
- 6 x screw M8x20
- 6 x nut M8
- 12 x washer M8



PSF – Panel Support Frame 3U

Item 85008426

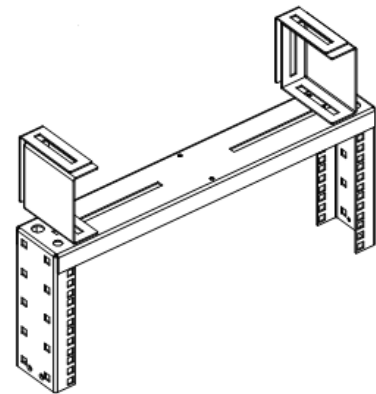
- 1 x Overhead frame 19" 3U
- 2 x Hanging brackets
- 2 x L shaped brackets
- 6 x screw M8x20
- 6 x nut M8
- 12 x washer M8



PSF – Panel Support Frame 4U

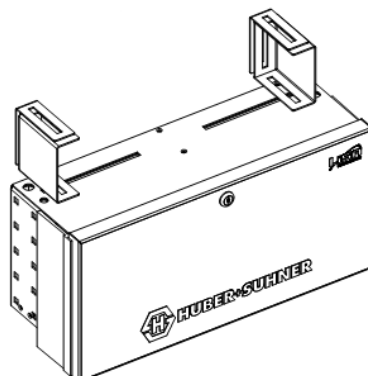
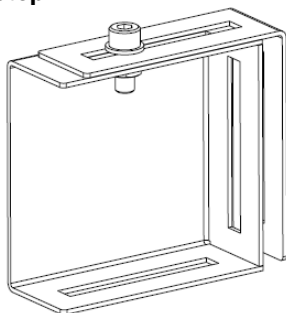
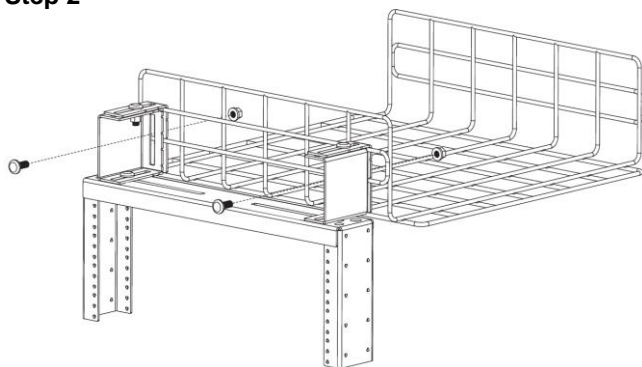
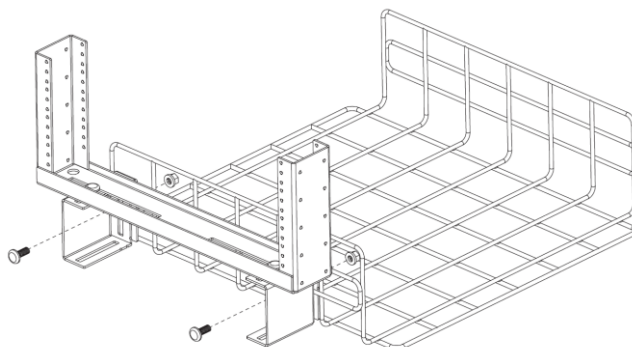
Item 85013642

- 1 x Overhead frame 19" 4U
- 2 x Hanging brackets
- 2 x L shaped brackets
- 6 x screw M8x20
- 6 x nut M8
- 12 x washer M8

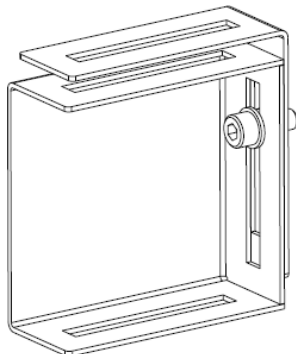


PSF – Panel Support Frame 4U with door**Item 85008427**

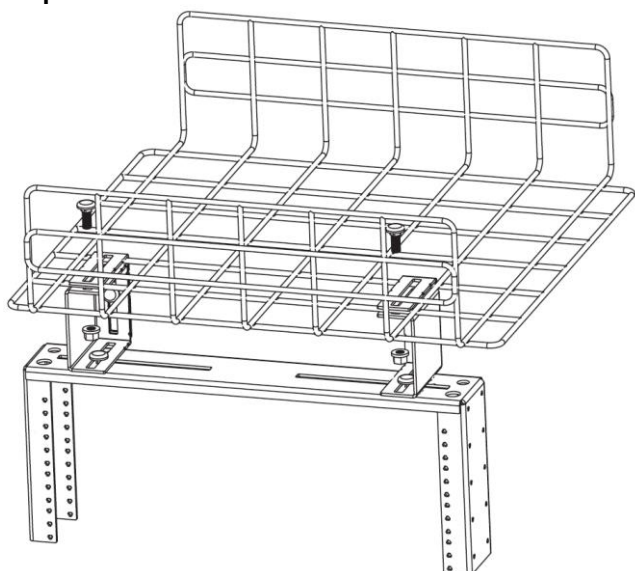
- 1 x Overhead frame 19" 4U
- 2 x Hanging brackets
- 2 x L shaped brackets
- 1 x Door mount set
- 6 x screw M8x20
- 6 x nut M8
- 12 x washer M8

**MOUNTING OPTIONS ON CABLE TRAY****Step 1****Step 2****Step 3**

Step 4



Step 5



Step 6

