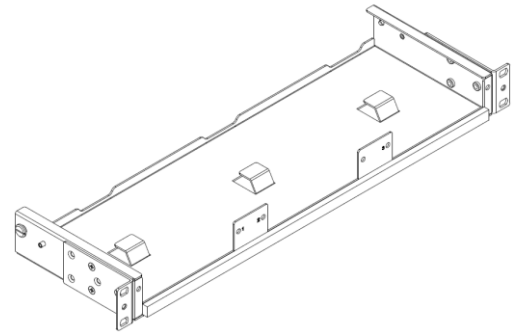


## Zone distribution panel for standard modules (fixed)

### Description

- Up to 3 x MTM standard modules or universal adapter plates (or blind plates)
- Capacity of 36 LC-duplex connections
- Optional cable manager for rear of panel
- Access and installation of modules/plates from the front side
- Optional radius guides for patch cord support and bend radius protection
- Pay as you grow concept



### Technical data

#### Mechanical data

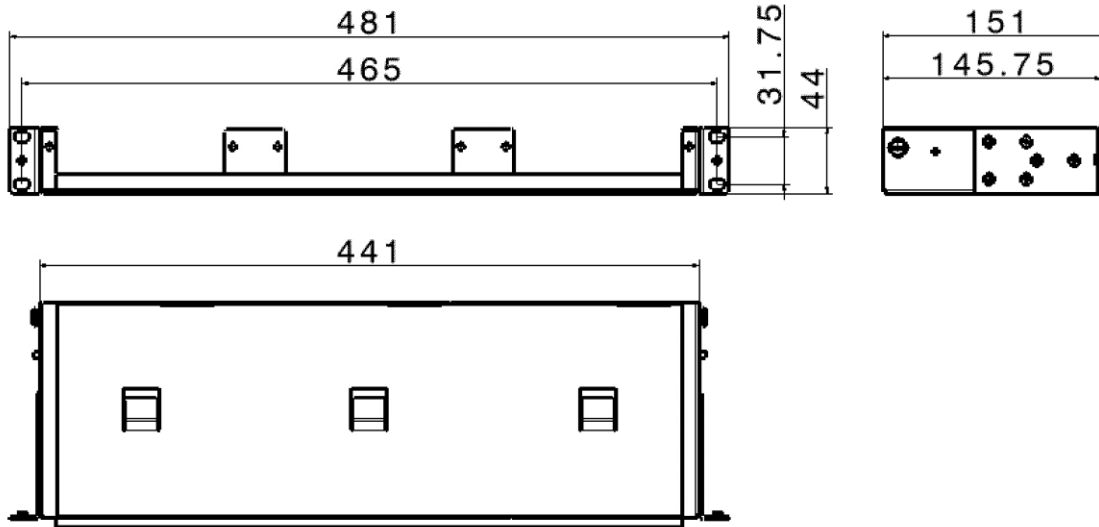
Description	Value
Dimension (W x D x H)	441 x 151 x 44 mm 17.36 x 5.94 x 1.73 in
Capacity	3 x MTM modules, UAP or blind plates
Material	steel and aluminium powder coated
Weight	1.15 kg / 2.54 lb
Colour	black (RAL 9005)

#### Environmental data

Characteristics	Value
UV resistance	resistant
Free of halogen	yes
Chemical resistance	good
2011/65/EC (RoHS)	fully compliant

## Zone distribution panel for standard modules (fixed)

### Technical drawing



### Ordering information

#### ZDP for standard modules (fixed)

Description	Item number
Zone distribution panel for standard modules, fixed version, black	85003955

#### ZDP panel - accessories

Description	Item number
Rear cable manager, black, retrofittable, suitable for ZDPHD and ZDP fixed	84146157
Front door with locking mechanism, black, retrofittable, for all ZDP panels	85030404
Patch cord management brackets, black (w/o lateral support), set of 2 pcs	84146159
Patch cord retainer, black/blue	84088889
Patch cord guide, black/blue	84093678

### Related documents

Installation manual                      DOC-0000709073