

SENCITY® Rail ACTIVE Rooftop Antenna



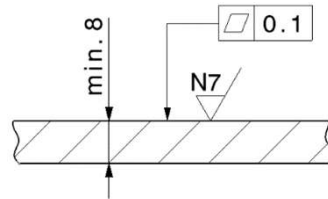
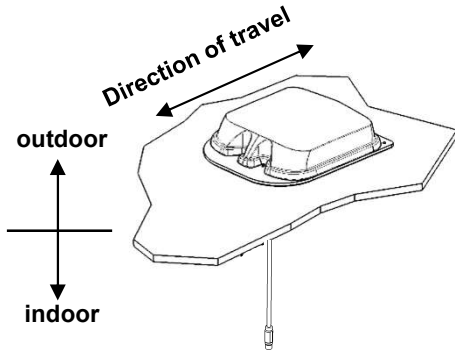
Keep away from catenary and high voltage lines.
Be careful when working at height!
Always secure ladders!
Always tighten screws!



Avoid bringing the cover of the antenna into contact with acetone, gasoline or oil.

Dimensions in millimeter [mm]

Mounting surface

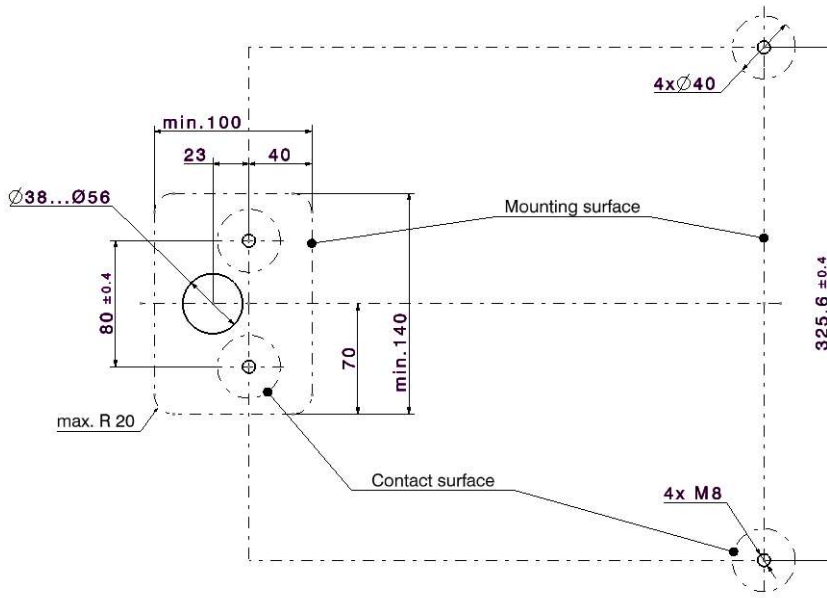


The mounting surface shall be planar and stable. The material of the mounting surface shall be steel or aluminium.

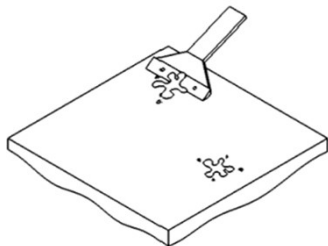
Recommended thicknesses of the contact surface is 8mm (steel) or 12 mm (aluminium).

The height difference between the different contact surface (each corner area to the center area) shall be ± 1 mm. The height difference between the closer corner areas shall be ± 0.5 mm

Drilling of threaded holes and cable breakthrough

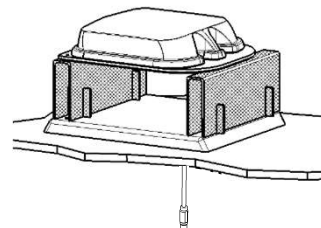


Preparation of roof



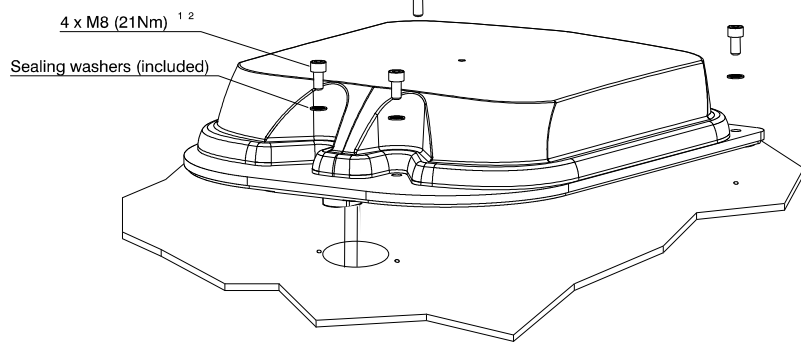
1. Clear the area where the antenna is mounted from paint, corrosion or any anodized layer.
2. Clear this area from any dust, brake dust, cutting chip, oil or fats.

Cable feedthrough



Use parts of the packaging to easily position the antenna above the cable breakthrough as indicated on the picture.

Feed the cables through the hole.



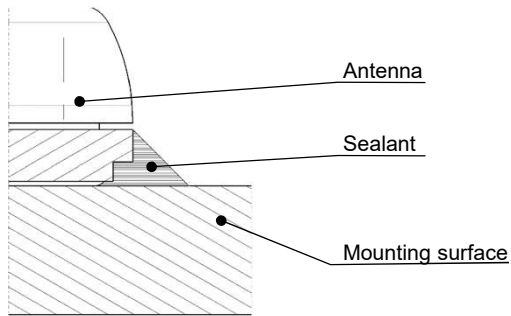
Place sealing gaskets in the circled slots in the outer and inner contact surfaces.

Remove the packaging parts and lower the antenna towards the roof.

Avoid moving the antenna once it touches the mounting surface.

- 1) For a minimum 8mm thick contact surface, use screws with a minimum length of 18mm.
 For a minimum 12mm thick contact surface, use screws with a minimum length of 22mm.
 2) Use mounting screws according to ISO 4762.
 Screws are not included.

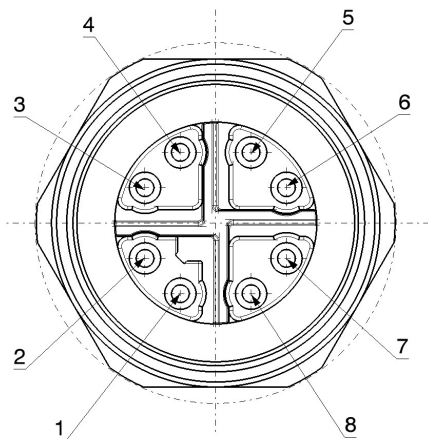
Sealing



It is optional to seal the perimeter of the antenna with sealant.

Avoid to apply sealant to the antenna radome.

Pin Assignment



Pin No.	Description	PoE
1	Bidirectional (0)+	PoE V+ / P
2	Bidirectional (0)-	PoE V+ / P
3	Bidirectional (1)+	PoE V- / N
4	Bidirectional (1)-	PoE V- / N
5	Bidirectional (3)+	
6	Bidirectional (3)-	
7	Bidirectional (2)-	
8	Bidirectional (2)+	

General remarks

This product can be returned to HUBER+SUHNER for recycling at the end of its useful life. Please contact your local agent.

HUBER+SUHNER is certified to ISO 9001, ISO 14001, ISO 45001, IATF 16949, AS/EN 9100 and SO/TS 22163-IRIS.

www.hubersuhner.com

Waiver: It is exclusively in written agreements that we provide our customers with warrants and representations as to the technical specifications and/or the fitness for any particular purpose. The facts and figures contained herein are carefully compiled to the best of our knowledge, but they are intended for general information purposes only.