

## SUCOFLEX® 526S Microwave Cable Assembly

### Description

SUCOFLEX 526S microwave cable assemblies set a new measurement standard through 26.5 GHz.

- Excellent return- and insertion loss
- Phase and amplitude stability with flexure and movement
- Torque, crush and kink resistance
- Precise and repeatable measurements
- Long service life
- Reduce total cost of test with durable, reliable performance



### Product Configuration

Description	SF526S/11PC35/21PC35/1000mm
Item number	85093184
Cable type	SUCOFLEX 526S
Length of assembly	1'000 mm
Connector A	11_PC3.5 (straight male)
Connector B	21_PC3.5 (straight female)

### Technical Data

#### Mechanical Data

Outer diameter	7.7 mm
Min. bending radius	25.4 mm
Weight	162 g
Crush resistance	26 kgf /cm

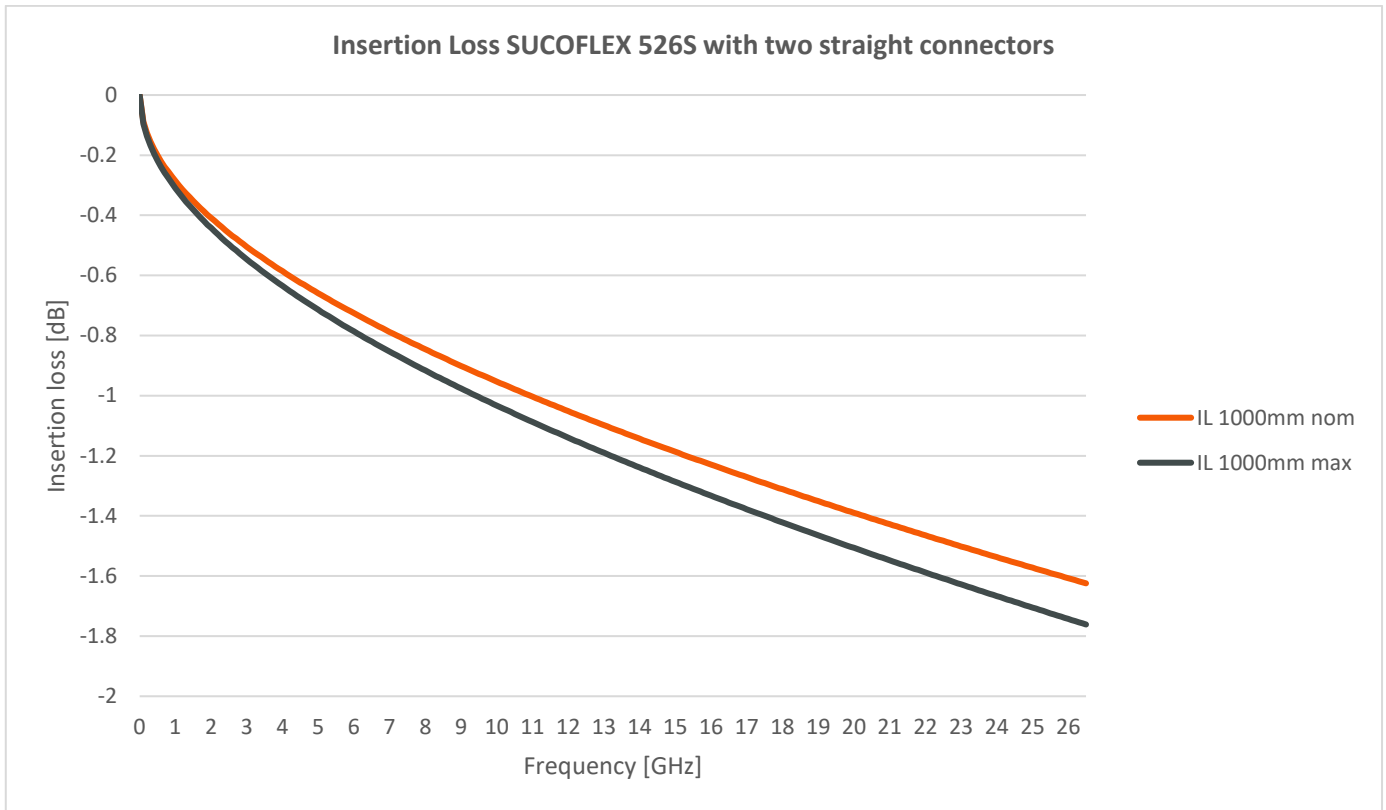
#### Environmental Data

Operating temperature	-55 ... + 125°C
RoHS, REACH	Compliant

#### Electrical Data

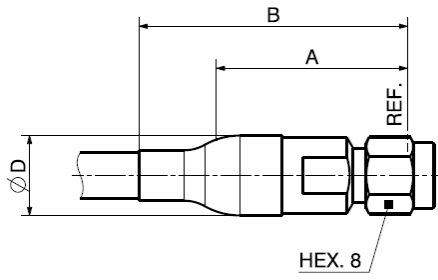
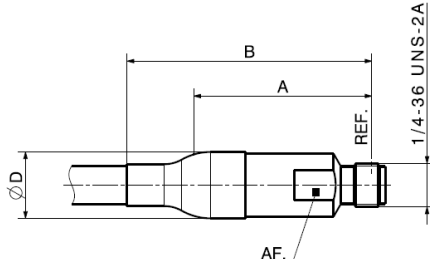
Impedance	50 Ω
Operating frequency	up to 26.5 GHz
Velocity of propagation	77 %
Time delay	4.3 ns / m
Typical return loss	-25.0 dB
Min. return loss	-19.0 dB
Typical insertion loss	1.63 dB
Max. insertion loss	1.77 dB
Screening effectiveness	> 90 dB
Typ. amplitude stability vs. shaking	± 0.05 dB
Typ. amplitude stability vs. bending	± 0.05 dB
Typ. phase stability vs. bending	± 3.0°

## SUCOFLEX® 526S Microwave Cable Assembly



**Connector 11\_PC3.5 (straight male)**

**Connector 21\_PC3.5 (straight female)**

						
Dimensions			Dimensions			
A	B	D	A	B	D	AF.
44 mm	N/A (only if shrinking sleeve is applied)	11.8 mm	44 mm	N/A (only if shrinking sleeve is applied)	11.8 mm	8.0 mm