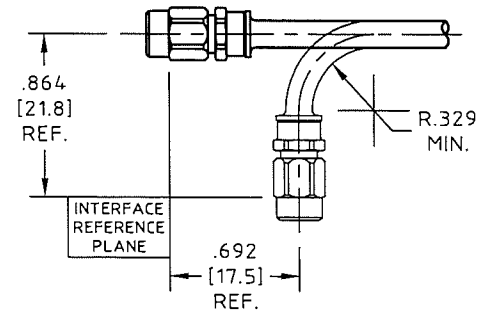
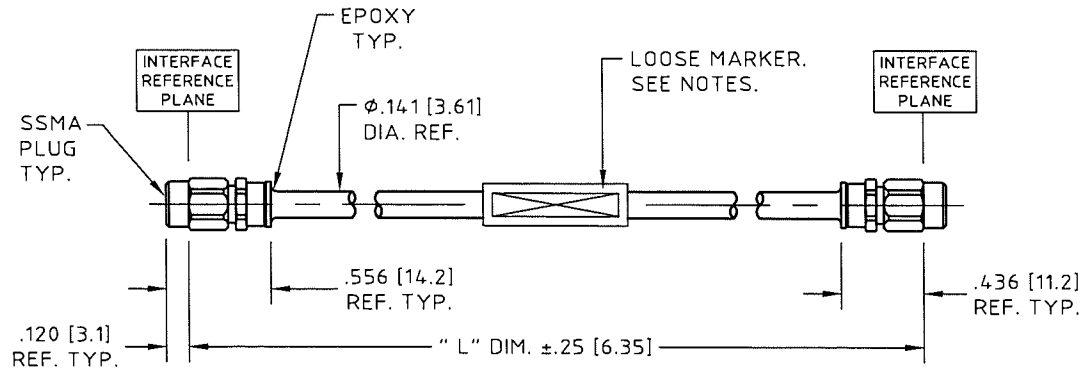


# CONTROL DRAWING

mini141 A-XX

F



SHOWN ABOVE IS TYPICAL INSTALLATION

H+S Astrolab PART NUMBER	DIMENSION "L" IN [mm]	2.0 GHz		12.4 GHz		18.0 GHz		26.5 GHz	
		VSWR	I.L. dB	VSWR	I.L. dB	VSWR	I.L. dB	VSWR	I.L. dB
mini141 A-2.5	2.50±.13 [63.5±3.3]	1.20:1	0.20	1.33:1	0.35	1.45:1	0.49	1.50:1	0.71
mini141 A-3	3.00±.13 [76.2±3.3]	1.20:1	0.21	1.33:1	0.37	1.45:1	0.52	1.50:1	0.74
mini141 A-3.5	3.50±.13 [88.9±3.3]	1.20:1	0.21	1.33:1	0.39	1.45:1	0.54	1.50:1	0.77
mini141 A-4	4.00±.13 [101.6±3.3]	1.20:1	0.22	1.33:1	0.41	1.45:1	0.56	1.50:1	0.80
mini141 A-4.5	4.50±.13 [114.3±3.3]	1.20:1	0.23	1.33:1	0.43	1.45:1	0.59	1.50:1	0.83
mini141 A-5	5.00±.13 [127.0±3.3]	1.20:1	0.24	1.33:1	0.45	1.45:1	0.61	1.50:1	0.85
mini141 A-5.5	5.50±.13 [139.7±3.3]	1.20:1	0.24	1.33:1	0.47	1.45:1	0.63	1.50:1	0.88
mini141 A-6	6.00±.13 [152.4±3.3]	1.20:1	0.25	1.33:1	0.49	1.45:1	0.66	1.50:1	0.91
mini141 A-6.5	6.50±.13 [165.1±3.3]	1.20:1	0.26	1.33:1	0.50	1.45:1	0.68	1.50:1	0.94
mini141 A-7	7.00±.13 [177.8±3.3]	1.20:1	0.27	1.33:1	0.52	1.45:1	0.70	1.50:1	0.97
mini141 A-8	8.00±.13 [203.2±3.3]	1.20:1	0.28	1.33:1	0.56	1.45:1	0.75	1.50:1	1.02
mini141 A-9	9.00±.13 [228.6±3.3]	1.20:1	0.30	1.33:1	0.60	1.45:1	0.79	1.50:1	1.08
mini141 A-10	10.00±.13 [254.0±3.3]	1.20:1	0.31	1.33:1	0.64	1.45:1	0.84	1.50:1	1.14
mini141 A-11	11.00±.13 [279.4±3.3]	1.20:1	0.33	1.33:1	0.67	1.45:1	0.88	1.50:1	1.19
mini141 A-12	12.00±.13 [304.8±3.3]	1.20:1	0.34	1.33:1	0.71	1.45:1	0.93	1.50:1	1.25
mini141 A-13	13.00±.13 [330.2±3.3]	1.20:1	0.36	1.33:1	0.75	1.45:1	0.98	1.50:1	1.31
mini141 A-14	14.00±.13 [355.6±3.3]	1.20:1	0.37	1.33:1	0.79	1.45:1	1.02	1.50:1	1.36
mini141 A-15	15.00±.13 [381.0±3.3]	1.20:1	0.39	1.33:1	0.82	1.45:1	1.07	1.50:1	1.42
mini141 A-16	16.00±.13 [406.4±3.3]	1.20:1	0.40	1.33:1	0.86	1.45:1	1.11	1.50:1	1.48
mini141 A-									

**NOTES:**

- DESCRIPTION,  
CABLE ASSEMBLY, SSMA PLUG TO SSMA PLUG.
- CABLE,  
COAXIAL CABLE H+S Astrolab P/N 32022E  
MEETS OR EXCEEDS MIL-DTL-17  
SEE H+S Astrolab CONTROL DRAWING  
FOR MATERIALS AND FINISHES.
- CONNECTOR -A-, SSMA PLUG:  
H+S Astrolab P/N 29112CR-32-22  
INTERFACE DIMENSIONS IAW MIL-STD-348.  
SEE H+S Astrolab CONTROL DRAWING  
FOR MATERIALS AND FINISHES.
- CONNECTOR -B-, SSMA PLUG:  
SAME AS CONNECTOR -A-.
- MARKING:  
LOOSE, WHITE SLEEVING CAPTIVATED  
ON THE CABLE ASSEMBLY.  
MARKING WILL INCLUDE THE H+S Astrolab  
PART NUMBER, CAGE CODE  
AND DATE CODE OF DATE OF  
MANUFACTURE.

**NOTES CONTINUED:**

- OTHER MARKING AS DEFINED BY CUSTOMER.  
NO MARKING ON CABLE ASSEMBLIES SHORTER  
THAN 3.0", MARKING ON PACKING ONLY.
- ELECTRICAL CHARACTERISTICS:  
IMPEDANCE,  
50.0 Ohms NOMINAL.  
FREQUENCY, INSERTION LOSS  
AND VSWR, SEE CHART.
- MECHANICAL:  
OPERATING TEMPERATURE  
RANGE, -55° C TO +125° C.  
CABLE ASSEMBLY LENGTH  
"L" MEASURED IAW  
MIL-PRF-55427.

**ROHS 5/6 COMPLIANT**

UNLESS OTHERWISE SPECIFIED  
CONCENTRICITY .004 T.I.R.  
CORNERS AND FILLETS .005  
MAX. RADIUS OR CHAMFER.  
SURFACE FINISH 63 RMS  
MICROINCHES OR BETTER.

FRACTIONS	± 1/16
X	± .030
XX	± .015
XXX	± .005
ANGLES	± 1°
DO NOT SCALE DRAWING	

	NAME	DATE
PREP.	GSG	01/29/04
ELEC.	RF	01/29/04
MECH.	AW	01/30/04
Q.C.	AG	01/30/04

**HUBER+SUHNER**

**Astrolab**

THIS DRAWING CONTAINS PATENTABLE AND PROPRIETARY INFORMATION. THE DESIGN CANNOT BE USED WITHOUT WRITTEN PERMISSION OF HUBER + SUHNER ASTROLAB.

TITLE <b>CABLE ASSY, TYPE mini141 A , SSMA PLUG TO SSMA PLUG.</b>		THDS. TO BE IN ACCORD WITH U.S. DEPT. OF COMM. SCREW THD. STDS. FOR FEDERAL SERVICES 1950 SUPL. TO HANDBOOK H 28.	SCALE <b>1:1</b>	CODE IDENT. <b>16301</b>	DWG NO. <b>mini141 A-XX</b>	REV <b>F</b>
--	--	--	---------------------	-----------------------------	--------------------------------	-----------------

F	COMPANY LOGO UPDATE	01/15/13	ENG EB	
REV.	DESCRIPTION	DATE	BY	APPROVED