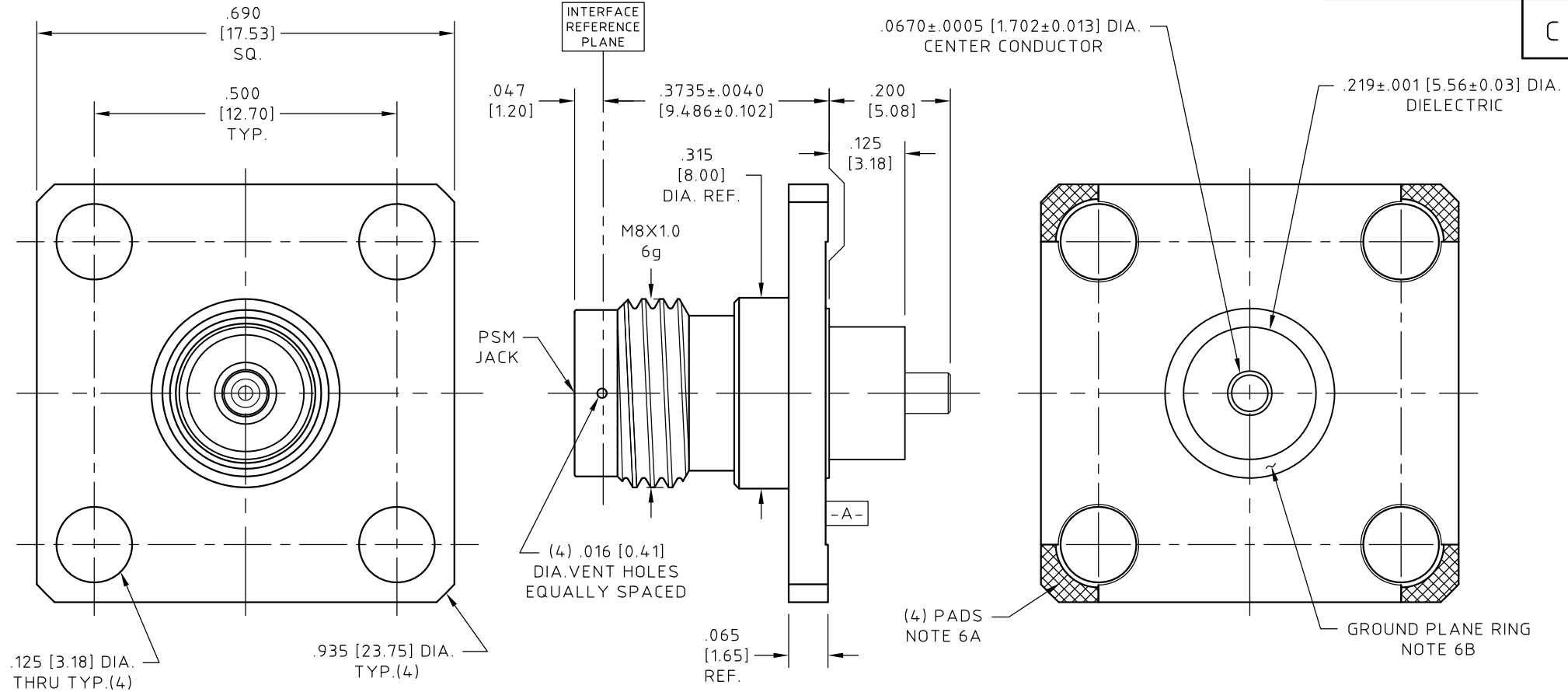


CONTROL DRAWING

23_PSM-50-0-1

C



NOTES:

- DESCRIPTION,
PANEL MOUNT CONNECTOR, LOW OUTGASSING, PSM JACK
- MATERIALS AND FINISHES
BODY, CENTER CONDUCTOR AND GROUND PLANE RING,
BERYLLIUM COPPER ALLOY PER ASTM B-196,
UNS No. C17300, TEMPER TD04(H).
GOLD PLATED 50 μIN MIN. THK. [1.27 μM]
PER ASTM B-488, CODE C, TYPE II
OVER COPPER FLASH.
NO NICKEL UNDERPLATE USED.

DIELECTRIC
POLYTETRAFLUOROETHYLENE (PTFE)
PER ASTM D-1710 OR ASTM D-4894,
TYPE I, GRADE 1.

NOTES CONTINUED:

- ELECTRICAL CHARACTERISTICS:
IMPEDANCE
50.0 Ohms NOMINAL.
FREQUENCY
18.0 GHz MAX.

NOTES CONTINUED:

- PSM JACK INTERFACE IAW
HUBER+SUHNER A.G.
PUBLISHED INFORMATION.
- OPERATING TEMPERATURE RANGE
-55° C TO +125° C.

NOTES CONTINUED:

- WHERE INDICATED (4) PADS PROTRUDE
FACE -A- BY .004 ± .002 [0.10 ± 0.05].
- WHERE INDICATED GROUND PLANE RING
PROTRUDES PADS BY .0020 ± .0015 [0.051 ± 0.038].

INCH [mm]	NAME	DATE																												
	PREP. EB	10/20/15																												
UNLESS OTHERWISE SPECIFIED CONCENTRICITY .004 T.I.R. CORNERS AND FILLETS .005 MAX. RADIUS OR CHAMFER. SURFACE FINISH 63 RMS MICROINCHES OR BETTER.	ELEC. RF	10/21/15																												
	MECH. GSG	10/20/15																												
Q.C.			THIS DRAWING CONTAINS PATENTABLE AND PROPRIETARY INFORMATION. THE DESIGN CANNOT BE USED WITHOUT WRITTEN PERMISSION OF HUBER + SUHNER ASTROLAB.																											
<table border="1" style="width: 100%; border-collapse: collapse;"> <tr> <td style="width: 15%;">FRACTIONS</td> <td style="width: 15%;">± 1/16</td> <td style="width: 15%;">TITLE</td> <td colspan="2" style="text-align: center; font-weight: bold;">PANEL MOUNT CONNECTOR, PSM JACK</td> </tr> <tr> <td>X</td> <td>± .030</td> <td rowspan="3" style="font-size: 8px;"> THDS. TO BE IN ACCORD WITH U.S. DEPT. OF COMM. SCREW THD. STDS. FOR FEDERAL SERVICES 1950 SUPL. TO HANDBOOK H 28. </td> <td style="width: 15%;">SCALE</td> <td style="width: 15%;">CODE IDENT.</td> </tr> <tr> <td>XX</td> <td>± .015</td> <td>4:1</td> <td>16301</td> </tr> <tr> <td>XXX</td> <td>± .005</td> <td></td> <td></td> </tr> <tr> <td>ANGLES</td> <td>± 1°</td> <td></td> <td></td> <td></td> </tr> <tr> <td colspan="3">DO NOT SCALE DRAWING</td> <td style="width: 15%;">DWG NO.</td> <td style="width: 15%;">REV</td> </tr> </table>				FRACTIONS	± 1/16	TITLE	PANEL MOUNT CONNECTOR, PSM JACK		X	± .030	THDS. TO BE IN ACCORD WITH U.S. DEPT. OF COMM. SCREW THD. STDS. FOR FEDERAL SERVICES 1950 SUPL. TO HANDBOOK H 28.	SCALE	CODE IDENT.	XX	± .015	4:1	16301	XXX	± .005			ANGLES	± 1°				DO NOT SCALE DRAWING			DWG NO.
FRACTIONS	± 1/16	TITLE	PANEL MOUNT CONNECTOR, PSM JACK																											
X	± .030	THDS. TO BE IN ACCORD WITH U.S. DEPT. OF COMM. SCREW THD. STDS. FOR FEDERAL SERVICES 1950 SUPL. TO HANDBOOK H 28.	SCALE	CODE IDENT.																										
XX	± .015		4:1	16301																										
XXX	± .005																													
ANGLES	± 1°																													
DO NOT SCALE DRAWING			DWG NO.	REV																										

C	ECN No. 20308	06/12/18	KF	
REV.	DESCRIPTION	DATE	BY	APPROVED