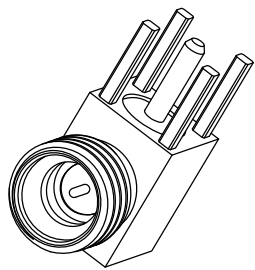


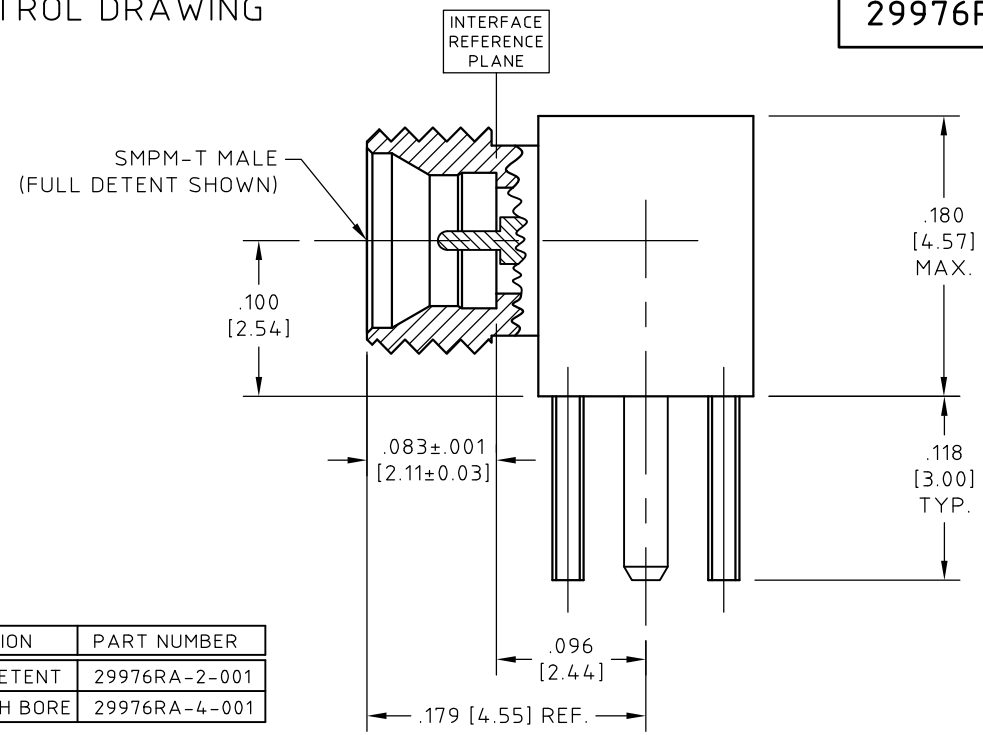
# CONTROL DRAWING

29976RA-x-001

B



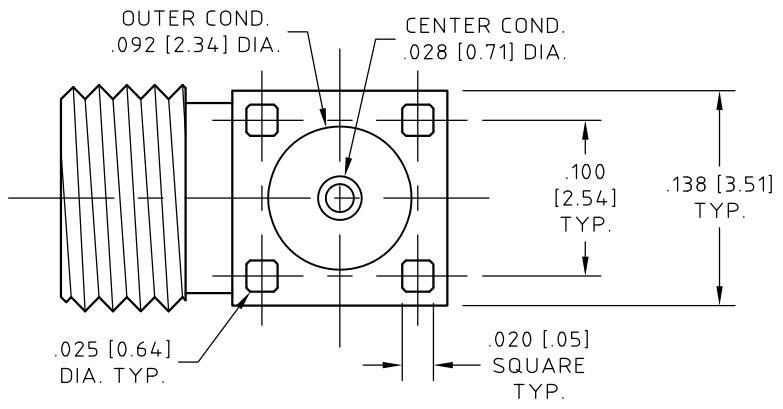
SCALE 8 : 1



OPTION	PART NUMBER
FULL DETENT	29976RA-2-001
SMOOTH BORE	29976RA-4-001

NOTES:

- DESCRIPTION  
PC BOARD MOUNT (LAUNCHER) CONNECTOR, SMPM-T MALE, SOLDERABLE. REFER TO TABLE LISTING FOR DETENT TYPE AND PART NUMBER.
- MATERIALS AND FINISHES  
BODY AND CENTER CONDUCTOR, BERYLLIUM COPPER ALLOY PER ASTM B-196, UNS No. C17300, TEMPER TD04(H), GOLD PLATED .000050 IN (1.27 μm) MIN. THK. PER ASTM B-488, CODE C, TYPE II, CLASS 1.27 OVER NICKEL PLATE, .000050 IN (1.27 μm) MIN. THK. PER SAE-AMS-QQ-N-290, CLASS 1. OR BRASS, FREE CUTTING, PER ASTM B-16 UNS No. C36000 NICKEL PLATED .000100 IN (2.54 μm) MIN. THK. PER SAE-AMS-C-26074 OR ASTM B-733. DIELECTRIC, POLYTETRAFLUOROETHYLENE (PTFE) PER ASTM D-1710, OR ASTM D-4894, TYPE I, GRADE 1, CLASS A. OUTGASSING, ASSEMBLY MEETS OR EXCEEDS NASA LOW OUTGASSING REQUIREMENTS.
- ELECTRICAL CHARACTERISTICS:  
IMPEDANCE  
50.0 Ohms NOMINAL.
- INTERFACE MEETS MIL-STD-348.
- OPERATING TEMPERATURE RANGE  
-55° C TO +125° C



UNLESS OTHERWISE SPECIFIED CONCENTRICITY .004 T.I.R. CORNERS AND FILLETS .005 MAX. RADIUS OR CHAMFER. SURFACE FINISH 63 RMS MICROINCHES OR BETTER.	
FRACTIONS	± 1/16
X	± .030
XX	± .015
XXX	± .005
ANGLES	± 1°
DO NOT SCALE DRAWING	

NAME	DATE
PREP. GSG	07/27/11
ELEC. RF	08/01/11
MECH. AW	08/01/11
Q.C.	

THIS DRAWING CONTAINS PATENTABLE AND PROPRIETARY INFORMATION. THE DESIGN CANNOT BE USED WITHOUT WRITTEN PERMISSION OF HUBER + SUHNER ASTROLAB.

TITLE <b>CONNECTOR, THRU THE BOARD MOUNT, SMPM-T MALE.</b>				
THDS. TO BE IN ACCORD WITH U.S. DEPT. OF COMM. SCREW THD. STDS. FOR FEDERAL SERVICES 1950 SUPL. TO HANDBOOK H 28.	SCALE 8:1	CODE IDENT. 16301	DWG NO. 29976RA-x-001	REV B

REV.	DESCRIPTION	DATE	BY	APPROVED
B	COMPANY LOGO UPDATED	10/04/13	EF	