

## Q-XCO – quick-lock ruggedized SFP connector

### Features

- Quick-lock mating connector for remote radio head, point-to-point link and industrial applications
- Ruggedized outdoor design with 2 x LC interface
- Plugs directly into SFP module, compatible with all standard SFP modules
- Full compensation of positioning tolerances and SFP module tolerances
- Bayonet, blind-mating mechanism and highest installation safety
- Full protection of optical interface during installation
- Access and exchange of SFP module possible



### Mating mechanism

Mating	1-step blind mating	bayonet
	mating references	visual and latch
Compensation of positioning tolerances of SFP module	z-axis	± 2.25 mm
	x,y-axis	± 0.4 mm (± 0.6 mm depending on SFP module)
Latching of LC connector	use of LC HQ technology	automating latching and unlatching
Mating durability	IEC 61300-2-2	100 cycles
Force on SFP module		no force in mated state

### Specifications

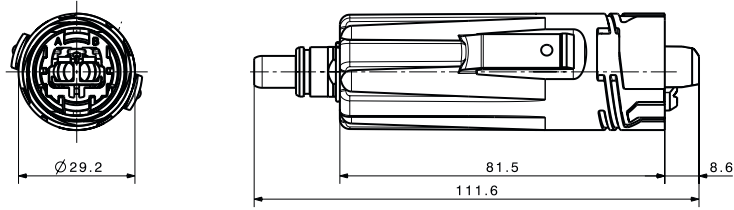
Technology		LC full ceramic ferrules
Housing material	connector	high-performance plastic
	socket	die-casting with zinc plating
Material flammability rating		UL 94-V0
Mechanical performance	IEC 61300-2-4	≤ 400 N tensile load
	IEC 61300-2-42	≤ 30 N static side load
	IEC 61300-2-5	180° cable torsion, passed
Thermal performance	operation, IEC 61300-2-22	- 40 °C to + 85 °C
	installation	- 40 °C to + 55 °C
Ingress protection	IEC 60529-20	IP 67 (mated or with dust cap)
Salt mist	IEC 61300-2-26, MIL-STD-202G Method 101E	192 h
Vibration	IEC 61300-2-1, MIL-STD-202G, Method 204G	passed 10 Hz - 500 Hz / 10 g
Shock	IEC 61300-3-3, MIL-STD-202G, Method 213B	passed 50 g
UV resistance	ISO 4982-2	passed 2000 h @ 2000 MJ/m <sup>2</sup>

### Optical performance

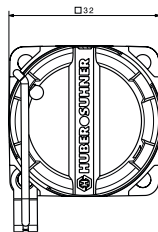
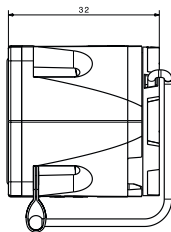
Insertion loss	singlemode	typ. ≤ 0.20 dB	97% ≤ 0.45 dB
	multimode	typ. ≤ 0.20 dB	97% ≤ 0.50 dB
Return loss	singlemode	≥ 50 dB	

# Q-XCO – quick-lock ruggedized SFP connector

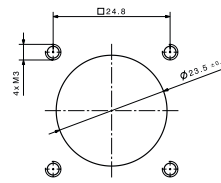
Q-XCO plug



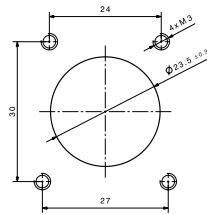
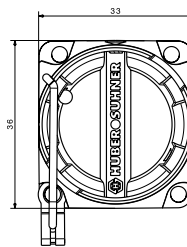
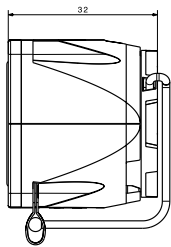
Q-XCO flange small



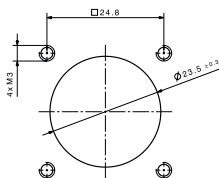
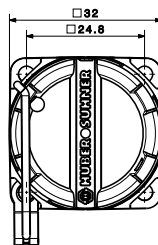
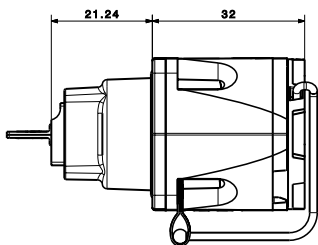
hole pattern



Q-XCO flange large with asymmetric build-in dimension



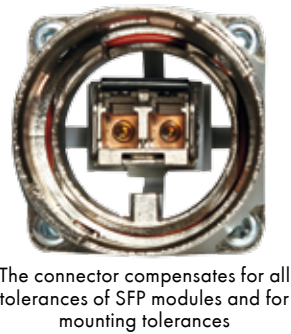
Q-XCO adapter



# Q-XCO – quick-lock ruggedized SFP connector

Description	Picture	Dust cap
XA (for assembly code)	Q-XCO connector	
Item no. 84108683	Q-XCO flange small	
Item no. 84108684	Q-XCO flange large	
Item no. 84118876	Q-XCO adapter singlemode	
Item no. 84137745	Q-XCO adapter multimode	

## Tolerance compensation

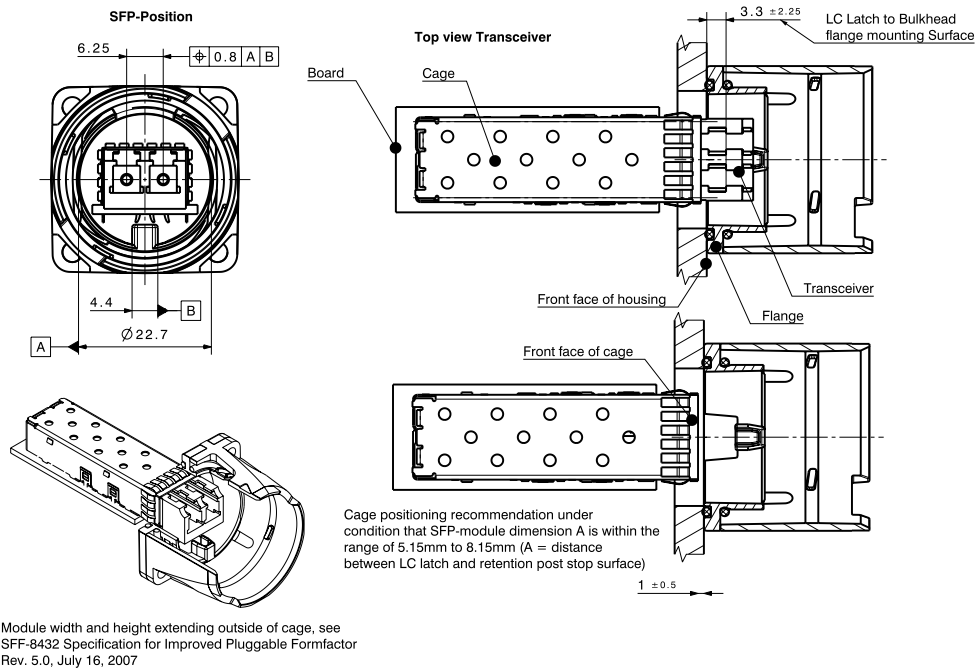


## Mating sequence

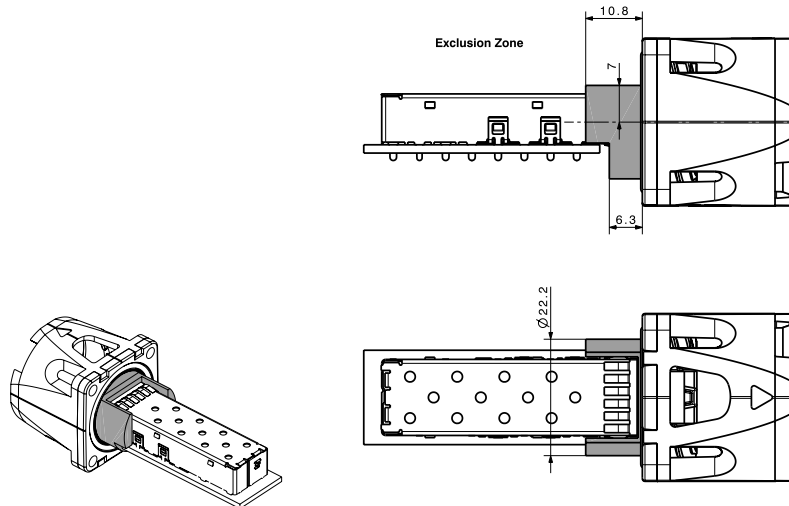


# Q-XCO – quick-lock ruggedized SFP connector

## SFP cage positioning specification



## Exclusion zone for connector mating



HUBER+SUHNER is certified according to ISO 9001, ISO 14001, ISO/TS 16949 and IRIS.

### WAIVER

It is exclusively in written agreements that we provide our customers with warrants and representations as to the technical specifications and/or the fitness for any particular purpose. The facts and figures contained herein are carefully compiled to the best of our knowledge, but they are intended for general informational purposes only.

HUBER+SUHNER AG  
Fiber Optic Division  
Degersheimerstrasse 14  
9100 Herisau  
Switzerland  
Tel. +41 71 353 4111  
Fax +41 71 353 4590  
info@hubersuhner.com

