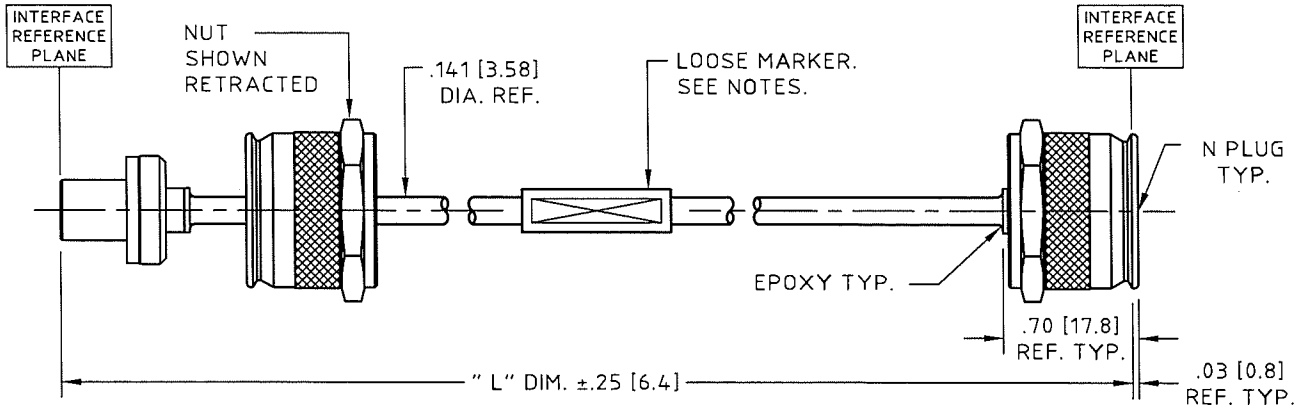


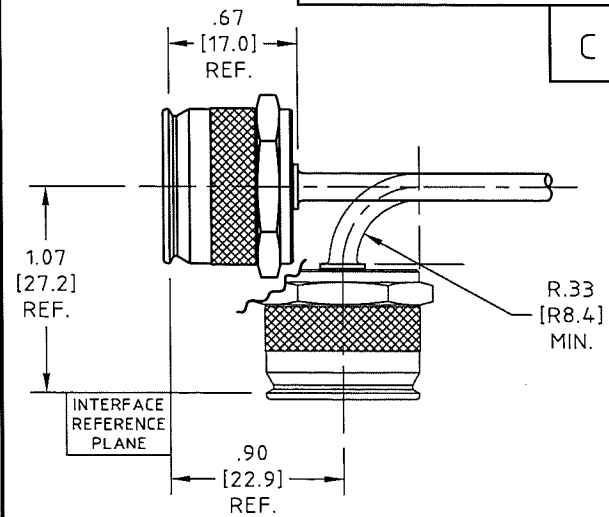
# CONTROL DRAWING



**NOTES:**

- DESCRIPTION,  
CABLE ASSEMBLY, WEATHERIZED  
N PLUG TO N PLUG.
- CABLE,  
COAXIAL CABLE H+S Astrolab P/N 32022E  
MEETS OR EXCEEDS MIL-DTL-17  
SEE H+S Astrolab CONTROL DRAWING  
FOR MATERIALS AND FINISHES.
- CONNECTOR -A-, N PLUG:  
H+S Astrolab P/N 29080WR-32-22  
IAW MIL-STD-34B.  
INTERFACE NUT IS RETRACTABLE.  
SEE H+S Astrolab CONTROL DRAWING  
FOR MATERIALS AND FINISHES.
- CONNECTOR -B-, N PLUG:  
SAME AS CONNECTOR -A-.
- MARKING:  
LOOSE, WHITE SLEEVING CAPTIVATED  
ON THE CABLE ASSEMBLY.  
MARKING WILL INCLUDE THE H+S Astrolab  
PART NUMBER, CAGE CODE  
AND DATE CODE OF DATE OF  
MANUFACTURE.  
OTHER MARKING AS DEFINED BY CUSTOMER.  
NO MARKING ON CABLE ASSEMBLIES SHORTER  
THAN 3.0", MARKING ON PACKING ONLY.

mini141 NW-XX



SHOWN ABOVE IS TYPICAL INSTALLATION

**NOTES CONTINUED:**

- ELECTRICAL CHARACTERISTICS:  
IMPEDANCE,  
50.0 Ohms NOMINAL.  
FREQUENCY, INSERTION LOSS AND VSWR  
SEE CHART.
- MECHANICAL:  
OPERATING TEMPERATURE RANGE,  
-55° C TO +125° C.  
CABLE ASSEMBLY LENGTH "L"  
MEASURED IAW MIL-PRF-55427.
- ENVIRONMENTAL LIMITS:  
MOISTURE RESISTANCE, PER MIL-STD-202,  
METHOD 106.  
PULL STRENGTH TO 25 Lbs [111 N].

H+S Astrolab PART NUMBER	DIMENSION "L" IN	2.0 GHz		12.4 GHz		18.0 GHz	
		VSWR	I.L. dB	VSWR	I.L. dB	VSWR	I.L. dB
mini141 NW-5	5.00 [127.0]	1.20:1	0.19	1.28:1	0.41	1.37:1	0.55
mini141 NW-6	6.00 [152.4]	1.20:1	0.21	1.28:1	0.45	1.37:1	0.60
mini141 NW-7	7.00 [177.8]	1.20:1	0.23	1.28:1	0.49	1.37:1	0.65
mini141 NW-8	8.00 [203.2]	1.20:1	0.24	1.28:1	0.52	1.37:1	0.69
mini141 NW-9	9.00 [228.6]	1.20:1	0.26	1.28:1	0.56	1.37:1	0.74
mini141 NW-10	10.00 [254.0]	1.20:1	0.27	1.28:1	0.60	1.37:1	0.79
mini141 NW-11	11.00 [279.4]	1.20:1	0.29	1.28:1	0.64	1.37:1	0.83
mini141 NW-12	12.00 [304.8]	1.20:1	0.30	1.28:1	0.68	1.37:1	0.88
mini141 NW-13	13.00 [330.2]	1.20:1	0.32	1.28:1	0.71	1.37:1	0.93
mini141 NW-14	14.00 [355.6]	1.20:1	0.33	1.28:1	0.75	1.37:1	0.97
mini141 NW-15	15.00 [381.0]	1.20:1	0.35	1.28:1	0.79	1.37:1	1.02
mini141 NW-16	16.00 [406.4]	1.20:1	0.36	1.28:1	0.83	1.37:1	1.07
mini141 NW-							

**ROHS 5/6 COMPLIANT**

UNLESS OTHERWISE SPECIFIED  
CONCENTRICITY .004 T.I.R.  
CORNERS AND FILLETS .005  
MAX. RADIUS OR CHAMFER.  
SURFACE FINISH 63 RMS  
MICROINCHES OR BETTER.

FRACTIONS	± 1/16
X	± .030
XX	± .015
XXX	± .005
ANGLES	± 1°
DO NOT SCALE DRAWING	

	NAME	DATE
PREP.	EF	03/16/09
ELEC.	RF	03/24/09
MECH.	GSG	03/24/09
Q.C.		



THIS DRAWING CONTAINS PATENTABLE AND PROPRIETARY INFORMATION. THE DESIGN CANNOT BE USED WITHOUT WRITTEN PERMISSION OF HUBER + SUHNER ASTROLAB.

TITLE  
**CABLE ASSY, TYPE mini141, N PLUG TO N PLUG, WEATHERIZED**

REV.	DESCRIPTION	DATE	BY	APPROVED	SCALE	CODE IDENT.	DWG NO.	REV
C	COMPANY LOGO UPDATE	01/15/13	ENE/EB	<i>[Signature]</i>	1:1	16301	mini141 NW-XX	C

THDS. TO BE IN ACCORD WITH U.S. DEPT. OF COMM. SCREW THD. STDS. FOR FEDERAL SERVICES 1950 SUPL. TO HANDBOOK H 28.