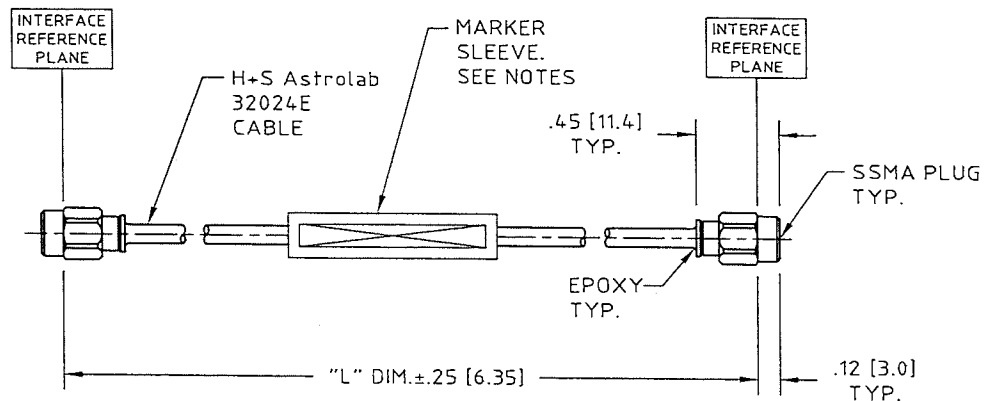


ASSEMBLY NO.	DIM. "L"	2.0 GHz		12.4 GHz		18.0 GHz		26.5 GHz	
		VSWR	I.L. dB	VSWR	I.L. dB	VSWR	I.L. dB	VSWR	I.L. dB
minibend LAR-2.5	2.50 (63.5)	1.20:1	0.21	1.33:1	0.39	1.45:1	0.56	1.50:1	0.75
minibend LAR-3	3.00 (76.2)	1.20:1	0.22	1.33:1	0.42	1.45:1	0.60	1.50:1	0.79
minibend LAR-3.5	3.50 (88.9)	1.20:1	0.23	1.33:1	0.45	1.45:1	0.64	1.50:1	0.84
minibend LAR-4	4.00 (101.6)	1.20:1	0.25	1.33:1	0.48	1.45:1	0.67	1.50:1	0.88
minibend LAR-4.5	4.50 (114.3)	1.20:1	0.26	1.33:1	0.51	1.45:1	0.71	1.50:1	0.93
minibend LAR-5	5.00 (127.0)	1.20:1	0.27	1.33:1	0.54	1.45:1	0.75	1.50:1	0.97
minibend LAR-5.5	5.50 (139.7)	1.20:1	0.28	1.33:1	0.57	1.45:1	0.78	1.50:1	1.02
minibend LAR-6	6.00 (152.4)	1.20:1	0.30	1.33:1	0.60	1.45:1	0.82	1.50:1	1.06
minibend LAR-6.5	6.50 (165.1)	1.20:1	0.31	1.33:1	0.63	1.45:1	0.86	1.50:1	1.11
minibend LAR-7	7.00 (177.8)	1.20:1	0.32	1.33:1	0.66	1.45:1	0.89	1.50:1	1.15
minibend LAR-8	8.00 (203.2)	1.20:1	0.34	1.33:1	0.72	1.45:1	0.97	1.50:1	1.24
minibend LAR-9	9.00 (228.6)	1.20:1	0.37	1.33:1	0.78	1.45:1	1.04	1.50:1	1.33
minibend LAR-10	10.00 (254.0)	1.20:1	0.39	1.33:1	0.84	1.45:1	1.11	1.50:1	1.42
minibend LAR-11	11.00 (279.4)	1.20:1	0.42	1.33:1	0.90	1.45:1	1.19	1.50:1	1.51
minibend LAR-12	12.00 (304.8)	1.20:1	0.44	1.33:1	0.96	1.45:1	1.26	1.50:1	1.60
minibend LAR-13	13.00 (330.2)	1.20:1	0.46	1.33:1	1.02	1.45:1	1.33	1.50:1	1.69
minibend LAR-14	14.00 (355.6)	1.20:1	0.49	1.33:1	1.08	1.45:1	1.41	1.50:1	1.78
minibend LAR-15	15.00 (381.0)	1.20:1	0.51	1.33:1	1.14	1.45:1	1.48	1.50:1	1.87
minibend LAR-16	16.00 (406.4)	1.20:1	0.54	1.33:1	1.20	1.45:1	1.55	1.50:1	1.96
minibend LAR-									

NOTES:

- DESCRIPTION:  
LOW OUTGASSING, CABLE ASSEMBLY,  
SSMA PLUG TO SSMA PLUG.  
ASSEMBLY MEETS OR EXCEEDS NASA  
LOW OUTGASSING REQUIREMENTS.
- CABLE:  
COAXIAL CABLE H+S Astrolab P/N 32024E  
MEETS OR EXCEEDS MIL-DTL-17  
SEE H+S Astrolab CONTROL DRAWING  
FOR MATERIALS AND FINISHES.
- CONNECTOR -A-, SSMA PLUG:  
H+S Astrolab P/N 29112CR-32-24  
INTERFACE DIMENSIONS IAW MIL-STD-348.  
SEE H+S Astrolab CONTROL DRAWING  
FOR MATERIALS AND FINISHES.
- CONNECTOR -B-, SSMA PLUG:  
SAME AS CONNECTOR -A-.
- MARKING:  
LOOSE, WHITE SLEEVING CAPTIVATED ON THE CABLE ASSEMBLY.  
MARKING WILL INCLUDE THE H+S Astrolab PART NUMBER, CAGE CODE  
AND DATE CODE OF DATE OF MANUFACTURE. OTHER MARKING  
AS DEFINED BY CUSTOMER.  
NO MARKING ON CABLE ASSEMBLIES SHORTER  
THAN 3.0", MARKING ON PACKING ONLY.
- ELECTRICAL CHARACTERISTICS:  
IMPEDANCE,  
50.0 Ohms NOMINAL.  
FREQUENCY, INSERTION LOSS AND VSWR  
SEE CHART.
- MECHANICAL:  
OPERATING TEMPERATURE RANGE,  
-55° C TO +125° C.  
PULL STRENGTH TO 25.0 LBS. [111 N].



UNLESS OTHERWISE SPECIFIED  
CONCENTRICITY .004 T.I.R.  
CORNERS AND FILLETS .005  
MAX. RADIUS OR CHAMFER.  
SURFACE FINISH 63 RMS  
MICROINCHES OR BETTER.

FRACTIONS	± 1/16
X	± .030
XX	± .015
XXX	± .005
ANGLES	± 1°
DO NOT SCALE DRAWING	

NAME	DATE
PREP. GSG	03/08/05
ELEC. RF	03/09/05
MECH. AW	03/08/05
Q.C.	

**HUBER+SUHNER**  
**Astrolab**

THIS DRAWING CONTAINS PATENTABLE AND PROPRIETARY INFORMATION. THE DESIGN CANNOT BE USED WITHOUT WRITTEN PERMISSION OF HUBER + SUHNER ASTROLAB.

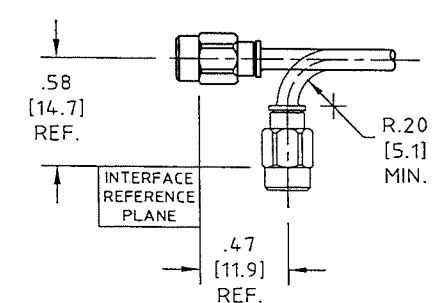
TITLE  
**CABLE ASSEMBLY, minibend L TYPE, SSMA PLUG TO SSMA PLUG, RUGGEDIZED.**

THDS. TO BE IN ACCORD WITH U.S. DEPT. OF COMM. SCREW THD. STDS. FOR FEDERAL SERVICES 1950 SUPPL. TO HANDBOOK H 28.	SCALE 1:1	CODE IDENT. 16301	DWG NO. minibend LAR-XX	REV F
--	--------------	----------------------	----------------------------	----------

CONTROL DRAWING

minibend LAR-XX

F



SHOWN ABOVE IS TYPICAL INSTALLATION.

**ROHS 5/6 COMPLIANT**

F	COMPANY LOGO UPDATE	01/15/13	EPNG 2	<i>[Signature]</i>
REV.	DESCRIPTION	DATE	BY	APPROVED