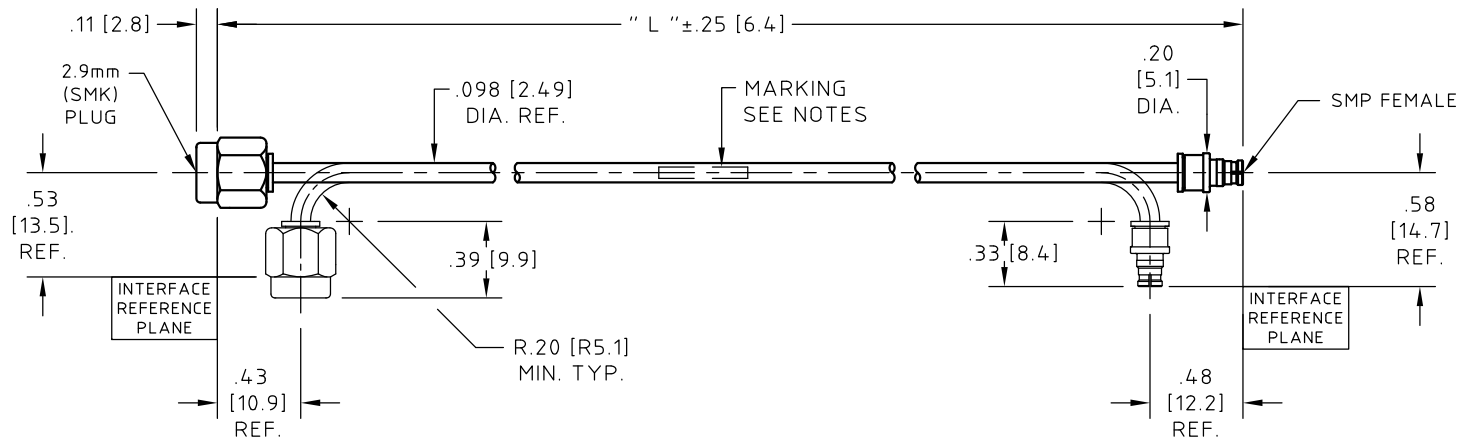


# CONTROL DRAWING

minibend KS-XX

P



**NOTES:**

- DESCRIPTION,  
CABLE ASSEMBLY, 2.9mm (SMK) PLUG  
TO SMP FEMALE.
- CABLE,  
COAXIAL CABLE HUBER+SUHNER Astrolab P/N 32081  
MEETS OR EXCEEDS MIL-DTL-17.  
SEE HUBER+SUHNER Astrolab CONTROL DRAWING  
FOR MATERIALS AND FINISHES.
- CONNECTOR -A-, 2.9mm (SMK) PLUG:  
HUBER+SUHNER Astrolab P/N 29094KC-32-81  
INTERFACE DIMENSIONS IAW MIL-STD-348.  
SEE HUBER+SUHNER Astrolab CONTROL DRAWING  
FOR MATERIALS AND FINISHES.
- CONNECTOR -B-, SMP FEMALE:  
HUBER+SUHNER Astrolab P/N 29473C-32-81-1  
INTERFACE DIMENSIONS IAW MIL-STD-348.  
SEE HUBER+SUHNER Astrolab CONTROL DRAWING  
FOR MATERIALS AND FINISHES.

**NOTES CONTINUED:**

- MARKING:  
MARKING APPROXIMATELY CENTERED DIRECTLY  
ON CABLE AS FOLLOWS:  
**MINIBEND KS-xx YYWW**  
WHERE xx DENOTES THE LENGTH OF THE CABLE  
ASSEMBLY AND YYWW THE DATE CODE  
FOR DATE OF MANUFACTURE.  
NO MARKING ON CABLE ASSEMBLIES SHORTER  
THAN 3.00 [76.2].  
MARKING ON PACKAGING ONLY.
- ELECTRICAL CHARACTERISTICS:  
IMPEDANCE,  
50.0 Ohms NOMINAL.  
FREQUENCY, INSERTION LOSS AND VSWR  
SEE CHART.
- MECHANICAL:  
OPERATING TEMPERATURE RANGE,  
-55° C TO +125° C.  
PULL STRENGTH TO 15.0 LBS. [66.7 N].
- ATTENUATION FORMULAS:  
8A. CALCULATE AT 18.0 GHz  
(dB) = 1.20 dB/FT. X L(ft.)+.29 dB  
8B. CALCULATE AT 40.0 GHz  
(dB) = 1.84 dB/FT. X L(ft.)+.70 dB

HUBER+SUHNER Astrolab PART NUMBER	DIMENSION "L"	2.0 GHz		18.0 GHz		40.0 GHz	
		VSWR	I.L. dB	VSWR	I.L. dB	VSWR	I.L. dB
minibend KS-2.5	2.50 [63.5]	1.25:1	0.22	1.45:1	0.66	1.50:1	1.09
minibend KS-3	3.00 [76.2]	1.25:1	0.23	1.45:1	0.71	1.50:1	1.16
minibend KS-3.5	3.50 [88.9]	1.25:1	0.25	1.45:1	0.75	1.50:1	1.24
minibend KS-4	4.00 [101.6]	1.25:1	0.26	1.45:1	0.80	1.50:1	1.32
minibend KS-4.5	4.50 [114.3]	1.25:1	0.28	1.45:1	0.85	1.50:1	1.39
minibend KS-5	5.00 [127.0]	1.25:1	0.29	1.45:1	0.90	1.50:1	1.47
minibend KS-5.5	5.50 [139.7]	1.25:1	0.31	1.45:1	0.95	1.50:1	1.55
minibend KS-6	6.00 [152.4]	1.25:1	0.33	1.45:1	1.00	1.50:1	1.63
minibend KS-6.5	6.50 [165.1]	1.25:1	0.34	1.45:1	1.05	1.50:1	1.70
minibend KS-7	7.00 [177.8]	1.25:1	0.36	1.45:1	1.10	1.50:1	1.78
minibend KS-8	8.00 [203.2]	1.25:1	0.39	1.45:1	1.20	1.50:1	1.93
minibend KS-9	9.00 [228.6]	1.25:1	0.42	1.45:1	1.30	1.50:1	2.09
minibend KS-10	10.00 [254.0]	1.25:1	0.45	1.45:1	1.39	1.50:1	2.24
minibend KS-11	11.00 [279.4]	1.25:1	0.48	1.45:1	1.49	1.50:1	2.40
minibend KS-12	12.00 [304.8]	1.25:1	0.51	1.45:1	1.59	1.50:1	2.55
minibend KS-13	13.00 [330.2]	1.25:1	0.54	1.45:1	1.69	1.50:1	2.70
minibend KS-14	14.00 [355.6]	1.25:1	0.57	1.45:1	1.79	1.50:1	2.86
minibend KS-15	15.00 [381.0]	1.25:1	0.60	1.45:1	1.89	1.50:1	3.01
minibend KS-16	16.00 [406.4]	1.25:1	0.63	1.45:1	1.98	1.50:1	3.17
minibend KS-		1.25:1		1.45:1		1.50:1	

SEE NOTE 8

**ROHS 5/6 COMPLIANT**

UNLESS OTHERWISE SPECIFIED  
CONCENTRICITY .004 T.I.R.  
CORNERS AND FILLETS .005  
MAX. RADIUS OR CHAMFER.  
SURFACE FINISH 63 RMS  
MICROINCHES OR BETTER.

FRACTIONS	± 1/16
X	± .030
XX	± .015
XXX	± .005
ANGLES	± 1°
DO NOT SCALE DRAWING	

NAME	DATE
PREP. WJL	05/11/00
ELEC. RF	05/11/00
MECH. GSG	05/11/00
Q.C.	

THIS DRAWING CONTAINS PATENTABLE AND PROPRIETARY INFORMATION. THE DESIGN CANNOT BE USED WITHOUT WRITTEN PERMISSION OF HUBER + SUHNER ASTROLAB.

TITLE <b>CABLE ASSEMBLY, 2.9mm PLUG TO SMP FEMALE</b>				
THDS. TO BE IN ACCORD WITH U.S. DEPT. OF COMM. SCREW THD. STDS. FOR FEDERAL SERVICES 1950 SUPL. TO HANDBOOK H 28.	SCALE 1:1	CODE IDENT. 16301	DWG NO. minibend KS-XX	REV P

P	ECN No. 15507	04/19/13	EB	
REV.	DESCRIPTION	DATE	BY	APPROVED