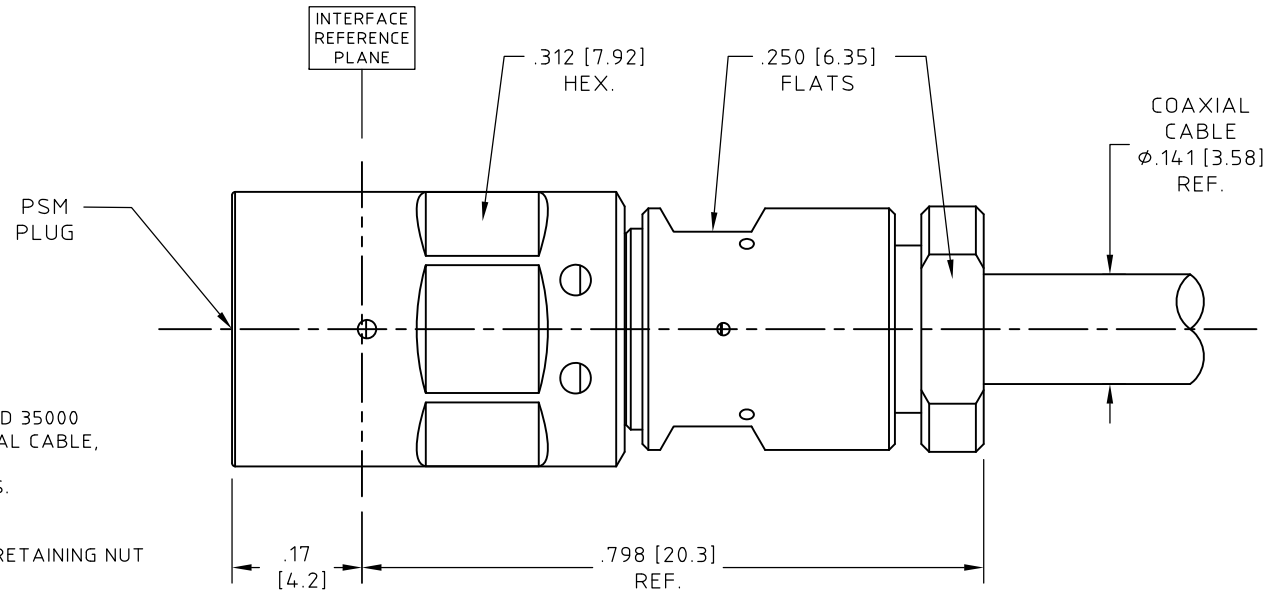


CONTROL DRAWING

11_PSM-50-3-1

B



NOTES:

1. DESCRIPTION,
CONNECTOR, PRECISION, HIGH POWER PSM PLUG,
FOR HUBER+SUHNER Astrolab ASTRO-SEMI-RIGID 35000
(PHASE STABLE/LOW LOSS) MICROWAVE COAXIAL CABLE,
CONNECTOR IS LOW OUTGASSING AND MEETS
NASA REQUIREMENTS FOR SPACE APPLICATIONS.
2. MATERIALS AND FINISHES,
BODY, CONTACT, SNAP RING, SOLDER BUSHING AND RETAINING NUT
BERYLLIUM COPPER ALLOY PER ASTM B-196,
UNS No. C17300, TEMPER TD04(H).
GOLD PLATED 100 µIN (2.54µM) MIN. THK.
PER ASTM B-488, CODE C, TYPE II
OVER
30 µIN (0.76 µM) MIN. COPPER FLASH.
INTERFACE NUT,
BERYLLIUM COPPER, PER ASTM B-197,
UNS No. C17200 TEMPER TD04(H).
GOLD PLATED 50 µIN (1.27 µM) MIN. THK.
PER ASTM B-488, CODE C, TYPE II
OVER
30 µIN (0.76 µM) MIN. COPPER FLASH.
DIELECTRIC,
POLYTETRAFLUOROETHYLENE (PTFE) PER ASTM D-1710
OR ASTM D-4894, TYPE I, GRADE 1.
O-RING,
FLUOROSILICONE FILLED WITH SILVER PLATED
ALUMINUM PER MIL-G-83528 TYPE D.
3. ELECTRICAL CHARACTERISTICS:
IMPEDANCE
50.0 Ohms NOMINAL.
FREQUENCY
18 GHz MAX.
4. PSM PLUG INTERFACE IAW HUBER+SUHNER A.G.
PUBLISHED INFORMATION.
5. OPERATING TEMPERATURE RANGE
-55° C TO +125° C

NAME	DATE	<p style="font-size: small; margin-top: 10px;">THIS DRAWING CONTAINS PATENTABLE AND PROPRIETARY INFORMATION. THE DESIGN CANNOT BE USED WITHOUT WRITTEN PERMISSION OF HUBER + SUHNER ASTROLAB.</p>
PREP. AKP	05/22/17	
ELEC.		
MECH. GSG	05/22/17	
Q.C.		
TITLE		PSM PLUG, FOR H+S Astrolab 35000 SEMIRIGID CABLE

UNLESS OTHERWISE SPECIFIED CONCENTRICITY .004 T.I.R. CORNERS AND FILLETS .005 MAX. RADIUS OR CHAMFER. SURFACE FINISH 63 RMS MICROINCHES OR BETTER.	
FRACTIONS	± 1/16
X	± .030
XX	± .015
XXX	± .005
ANGLES	± 1°
DO NOT SCALE DRAWING	

B	ECN No. 20308	06/15/18	KF							
REV.	DESCRIPTION	DATE	BY	APPROVED						
						THDS. TO BE IN ACCORD WITH U.S. DEPT. OF COMM. SCREW THD. STDS. FOR FEDERAL SERVICES 1950 SUPL. TO HANDBOOK H 28.	SCALE 4:1	CODE IDENT. 16301	DWG NO. 11_PSM-50-3-1	REV B