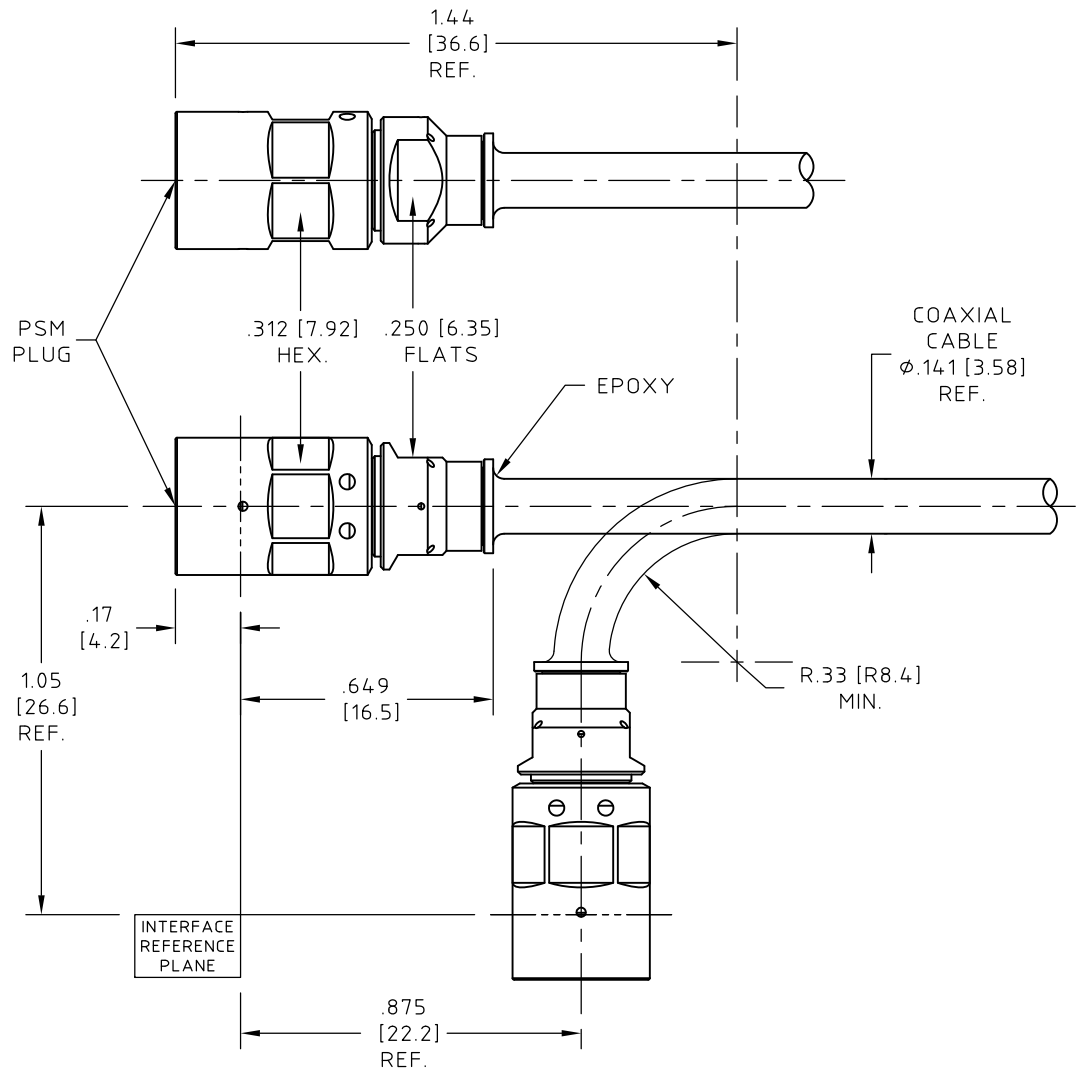


CONTROL DRAWING

11_PSM-50-3-3

B



NOTES:

- DESCRIPTION,
CONNECTOR, HIGH PRECISION, HIGH POWER PSM PLUG,
FOR HUBER+SUHNER Astrolab 32021E CABLE
(LOW LOSS / PHASE STABLE) astro-STEEL-flex II.
CONNECTOR IS RUGGEDIZED AND IT IS SUITABLE FOR
COMPLEX, CONGESTED INSTALLATIONS.
CONNECTOR IS LOW OUTGASSING AND MEETS
NASA REQUIREMENTS FOR SPACE APPLICATIONS.
- MATERIALS AND FINISHES,
BODY, CONTACT AND SNAP RING.
BERYLLIUM COPPER ALLOY PER ASTM B-196,
UNS No. C17300, TEMPER TD04(H).
GOLD PLATED 100 µIN (2.54µM) MIN. THK.
PER ASTM B-488, CODE C, TYPE II,
OVER
30 µIN (0.76 µM) MIN. COPPER FLASH.
BACK NUT,
STEEL, CORROSION RESISTANT PER ASTM A-582,
UNS No. S30300, COND. A, NON MAGNETIC.
GOLD PLATED 50 µIN (1.27 µM) MIN. THK.
PER ASTM B-488, CODE C, TYPE II
OVER
NICKEL PLATE PER AMS-2433, CLASS 1.
DIELECTRIC,
POLYTETRAFLUOROETHYLENE (PTFE) PER ASTM D-1710,
OR ASTM D-4894, TYPE I, GRADE 1.
- ELECTRICAL CHARACTERISTICS:
IMPEDANCE
50.0 Ohms NOMINAL.
FREQUENCY
18 GHz MAX.
- PSM PLUG INTERFACE IAW HUBER+SUHNER A.G.
PUBLISHED INFORMATION.
- OPERATING TEMPERATURE RANGE
-55° C TO +125° C

UNLESS OTHERWISE SPECIFIED
CONCENTRICITY .004 T.I.R.
CORNERS AND FILLETS .005
MAX. RADIUS OR CHAMFER.
SURFACE FINISH 63 RMS
MICROINCHES OR BETTER.

FRACTIONS	± 1/16
X	± .030
XX	± .015
XXX	± .005
ANGLES	± 1°
DO NOT SCALE DRAWING	

NAME	DATE
PREP. AKP	05/25/17
ELEC. RF	05/25/17
MECH. GSG	05/25/17
Q.C.	

HUBER+SUHNER
Astrolab

THIS DRAWING CONTAINS PATENTABLE AND PROPRIETARY INFORMATION. THE DESIGN CANNOT BE USED WITHOUT WRITTEN PERMISSION OF HUBER + SUHNER ASTROLAB.

TITLE
PSM PLUG, FOR H+S Astrolab 32021E mini141 H CABLE

B	ECN No. 20324	06/19/18	KF							
REV.	DESCRIPTION	DATE	BY	APPROVED						
					THDS. TO BE IN ACCORD WITH U.S. DEPT. OF COMM. SCREW THD. STDS. FOR FEDERAL SERVICES 1950 SUPL. TO HANDBOOK H 28.	SCALE 2:1	CODE IDENT. 16301	DWG NO. 11_PSM-50-3-3	REV B	