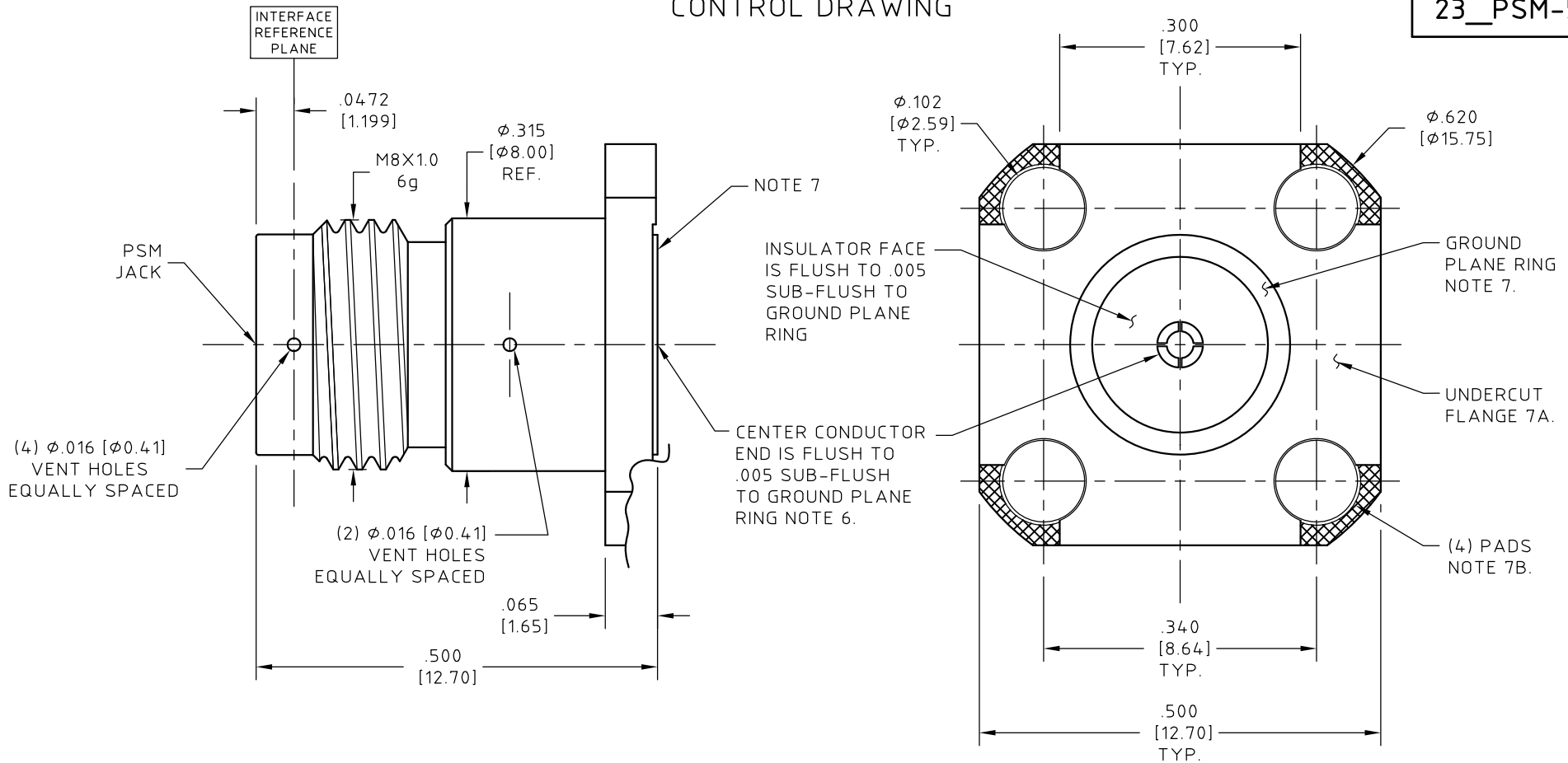


CONTROL DRAWING

23_PSM-50-0-2

D



NOTES:

- DESCRIPTION,
PANEL MOUNT CONNECTOR, LOW OUTGASSING
PSM JACK TO SOCKET RECEPTACLE.
- MATERIALS AND FINISHES
BODY AND CENTER CONDUCTOR
BERYLLIUM COPPER ALLOY PER ASTM B-196,
UNS No. C17300, TEMPER TD04(H).
GOLD PLATED 100 µIN (2.54µM) MIN. THK.
PER ASTM B-488, CODE C, TYPE II
OVER
30 µIN (0.76 µM) MIN. COPPER FLASH.

DIELECTRIC
POLYTETRAFLUOROETHYLENE (PTFE)
PER ASTM D-1710 OR ASTM D-4894,
TYPE I, GRADE 1.

NOTES CONTINUED:

- ELECTRICAL CHARACTERISTICS:
IMPEDANCE
50.0 Ohms NOMINAL.
FREQUENCY
18.0 GHz MAX.
- PSM JACK INTERFACE IAW
HUBER+SUHNER A.G.
PUBLISHED INFORMATION.

NOTES CONTINUED:

- OPERATING TEMPERATURE RANGE
-55° C TO +125° C.
- SOCKET CONTACT ACCEPTS A
Ø.0365±.0005 [Ø0.927±0.013]
PIN TO A DEPTH OF
.10 [2.5] MAX.

NOTES CONTINUED:

- WHERE INDICATED,
GROUND PLANE RING.
- WHERE INDICATED, FLANGE IS SUB-FLUSH
TO GROUND PLANE RING BY .004/.008 [0.10/.20].
- WHERE INDICATED, (4) PADS SUB-FLUSH
TO GROUND PLANE RING BY .0020±.0015[0.051±0.038].

UNLESS OTHERWISE SPECIFIED
CONCENTRICITY .004 T.I.R.
CORNERS AND FILLETS .005
MAX. RADIUS OR CHAMFER.
SURFACE FINISH 63 RMS
MICROINCHES OR BETTER.

| | |
|----------------------|--------|
| FRACTIONS | ± 1/16 |
| X | ± .030 |
| XX | ± .015 |
| XXX | ± .005 |
| ANGLES | ± 1° |
| DO NOT SCALE DRAWING | |

| NAME | DATE |
|-----------|----------|
| PREP. AKP | 10/13/17 |
| ELEC. RF | 10/16/17 |
| MECH. GSG | 10/16/17 |
| Q.C. | |



THIS DRAWING CONTAINS PATENTABLE AND PROPRIETARY
INFORMATION. THE DESIGN CANNOT BE USED WITHOUT
WRITTEN PERMISSION OF HUBER + SUHNER ASTROLAB.

| | | | | | |
|--|--|--------------|----------------------|--------------------------|----------|
| TITLE PANEL MOUNT CONNECTOR, PSM JACK | | SCALE 5:1 | CODE IDENT. 16301 | DWG NO. 23_PSM-50-0-2 | REV D |
| THDS. TO BE IN ACCORD WITH U.S. DEPT. OF COMM. SCREW THD. STDS. FOR FEDERAL SERVICES 1950 SUPL. TO HANDBOOK H 28. | | | | | |

| | | | | |
|------|---------------|----------|----|----------|
| D | ECN No. 20308 | 06/12/18 | KF | |
| REV. | DESCRIPTION | DATE | BY | APPROVED |