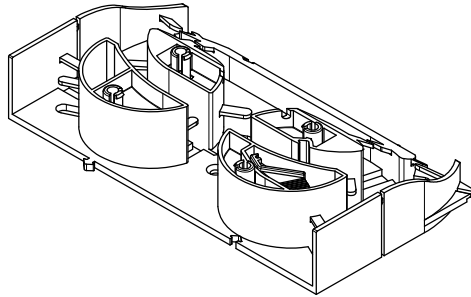


## Routing Plate for ACS (Advanced Cassette System)



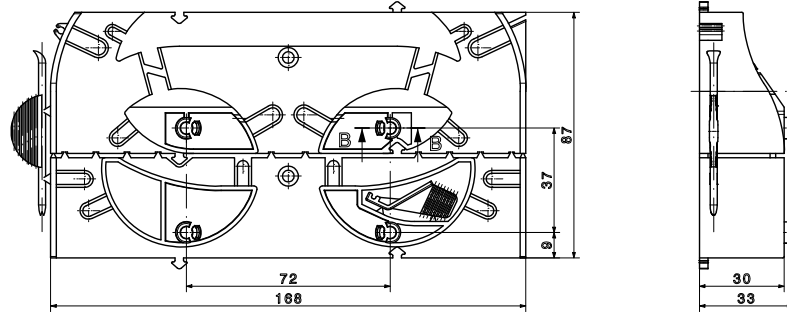
### Characteristics

- Connectable to base plate or fixation plate
- Dividable for a staggered arrangement
- Multiple mini cable or fiber routing possibilities
- Integrated fiber handling tools
- Fiber cross out

### Technical data

| Attribute  | Value                              |
|--|------------------------------------|
| Dimensions (W x L x H)                                 | 168 x 87 x 33 mm                   |
| Material   | PC / ABS                           |
| Radius protection                                      | 27 mm                              |
| Weight   | 74 g                               |
| Colour   | RAL 7024 Graphite Grey             |
| Temperature resistance Celsius (Short term) Fahrenheit | -30° to +60°C,<br>-22° ... +140°F, |
| Temperature resistance Celsius (Long term) Fahrenheit  | -40° to +85°C,<br>-40° ... +185°F, |
| Flammability rating                                    | UL94 V0                            |
| UV resistance  | Resistant                          |
| Free of halogen  | Yes                                |
| Chemical resistance                                    | Good                               |
| RoHS requirements                                      | Fully compliant                    |

**Technical drawing(s)**



**Descriptive code**

| Item nr. | Descriptive code  | Description           |
|----------|-------------------|-----------------------|
| 85011372 | ACS-ROUTING-PLATE | Routing Plate for ACS |

**Additional documents**

| Document                      | Doc-no.        |
|-------------------------------|----------------|
| Data sheet ACS Base           | DOC-0000603675 |
| Data sheet ACS Fixation Plate | DOC-0000603677 |

**HUBER+SUHNER AG**  
 Fiber Optics Division  
 9100 Herisau  
 Switzerland  
 Tel. +41 (71) 353 41 11  
 Fax +41 41 (71) 353 4647

HUBER+SUHNER is certified according to ISO 9001, ISO 14001, ISO/TS 16949 and IRIS.

**Note**

It is exclusively in written agreements that we provide our customers with warrants and representations as to the technical specifications and/or the fitness for any particular purpose. The facts and figures contained herein are carefully compiled to the best of our knowledge, but they are intended for general information purposes only.