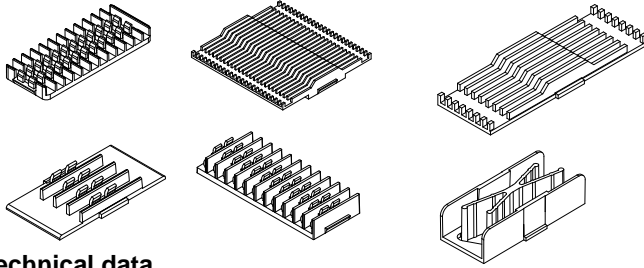



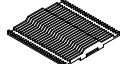
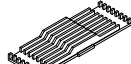
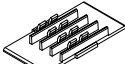

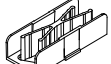
Splice combs compatible with ACS cassettes



Characteristics

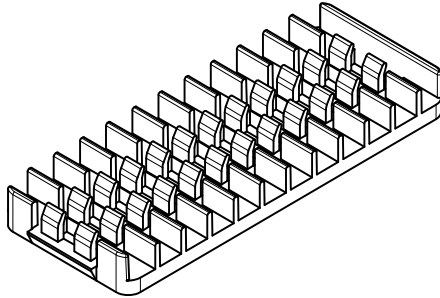
- 6 different types available
- Snap-in fixation into the cassettes

Technical data

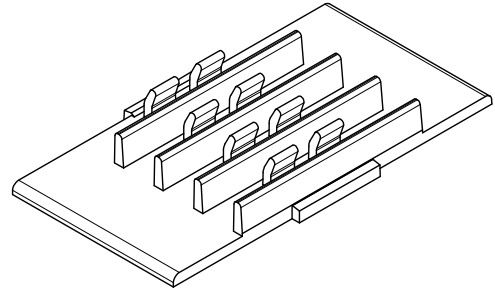
Attribute	SPL-COMP-ACS-HS1.5-24-WAY	SPL-COMP-ACS-SW-24-WAY	SPL-COMB-SCM-SW-06-WAY-06-P	SPL-COMB-SCM-HS1.5-04-WAY	SPL-COMB-ACS-HS2.4-12-WAY	SPL-COMP-MS-02-WAY
						
Dimensions (W x L x H)	39 x 15.6 x 4 mm	39 x 38 x 2.1 mm	39 x 14.6 x 3.8 mm	26.5 x 14.6 x 3 mm	39 x 15.6 x 2.7 mm	32 x 13.3 x 9 mm
Capacity	24	24	6	4	12	2
ACS compatibility	MCM, Splitter	MCM, Splitter	SCM	SCM	MCM, Splitter	Splitter
Dimension (Ø) Splice	1.5 mm	ANT	ANT	1.5 mm	2.4 mm	Splitter ¹⁾
Material	Duretan	Duretan	Bergamid	Bergamid	Duretan	Bergamid
Weight	1.4 g	2.8g	1.6g	0.41g	0.9	1.1
Colour	Black (RAL 9005)	Black (RAL 9005)	Black (RAL 9005)	Black (RAL 9005)	Black (RAL 9005)	Grey Withe (RAL 9002)
Temperature resistance Celsius (Short term) Fahrenheit	-30° to 65° C -22° to 149° F	-30° to 65° C -22° to 149° F	-30° to 80° C -22° to 176° F	-30° to 80° C -22° to 176° F	-30° to 65° C -22° to 149° F	-30° to 80° C -22° to 176° F
Temperature resistance Celsius (Long term) Fahrenheit	-30° to 60° C -22° to 140° F	-30° to 60° C -22° to 140° F	-30° to 70° C -22° to 158° F	-30° to 80° C -22° to 176° F	-30° to 60° C -22° to 140° F	-30° to 80° C -22° to 176° F
Flammability rating	UL94 V2	UL94 V2	UL94 V0	UL94 V0	UL94 V2	UL94 V0
UV resistance	Resistant	Resistant	Resistant	Resistant	Resistant	Resistant
Free of halogen	Yes	Yes	Yes	Yes	Yes	Yes
Chemical resistance	Good	Good	Good	Good	Good	Good
RoHS requirements	Fully compliant	Fully compliant	Fully compliant	Fully compliant	Fully compliant	Fully compliant

Note: ¹⁾ Splitter or Mechanical Splice

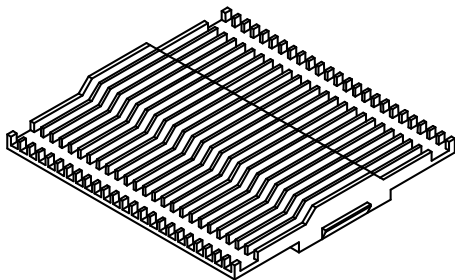
Technical drawing(s)



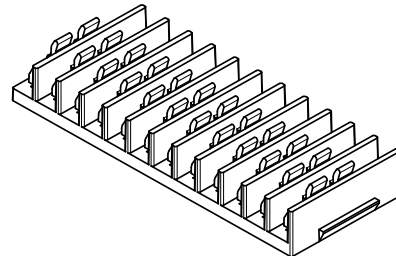
SPL-COMP-ACS-HS1.5-24-WAY
84123618



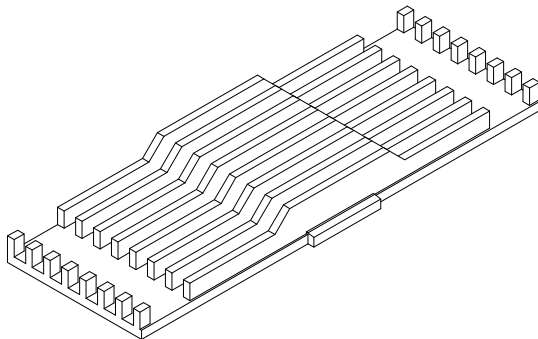
SPL-COMB-SCM-HS1.5-04-WAY
84088989



SPL-COMP-ACS-SW-24-WAY
84103969



SPL-COMB-ACS-HS2.4-12-WAY
84127301



SPL-COMB-SCM-SW-06-WAY-06-P
84003481

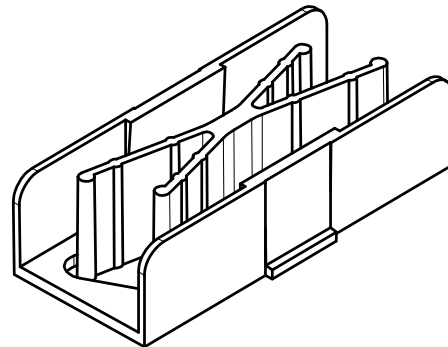


Figure 1 SPL-COMP-MS-02-WAY
84089021

Descriptive code

Item nr.	Descriptive code	Description
84123618	SPL-COMP-ACS-HS1.5-24-WAY	Spliceholder for 24 pcs. Heatshrink ø1.8mm
84103969	SPL-COMP-ACS-SW-24-WAY	Spliceholder for 24 pcs. Sandwich Splice
84003481	SPL-COMB-SCM-SW-06-WAY-06-P	Spliceholder for 6 Sandwich 6pcs
84088989	SPL-COMB-SCM-HS1.5-04-WAY	Spliceholder for 4pcs. Heatshrink ø1.8mm
84127301	SPL-COMB-ACS-HS2.4-12-WAY	Spliceholder for 12 pcs. Heatshrink ø2.6mm
84089021	SPL-COMP-MS-02-WAY	Spliceholder for 2 pcs. Mechanical splice or Splitters
23218558	SPL-PR-SW-30-150P	Sandwich Splice Protector 30mm (150pce)
84005214	SPL-PR-HS-2.4x45mm-100P	Heat Shrink Splice Protection Sleeve 2.4mm x 45mm (100pce)
84059763	SPL-PR-HS-1.5x40mm-100-P	Heat Shrink Splice Protection Sleeve 1.5mm x 40mm (100pce)

Additional documents

Document	Doc-no.

HUBER+SUHNER AG
 Fiber Optics Division
 9100 Herisau
 Switzerland
 Tel. +41 (71) 353 41 11
 Fax +41 41 (71) 353 4647

HUBER+SUHNER is certified according to ISO 9001, ISO 14001, ISO/TS 16949 and IRIS.

Note

It is exclusively in written agreements that we provide our customers with warrants and representations as to the technical specifications and/or the fitness for any particular purpose. The facts and figures contained herein are carefully compiled to the best of our knowledge, but they are intended for general information purposes only.