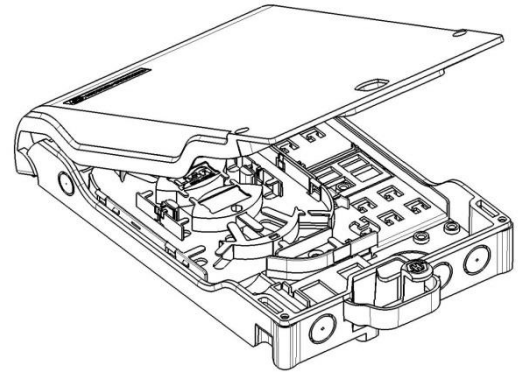


Wall boxes plastic Optibox 4i

Description

Characteristics

- straightforward mounting splicing and patching box, consisting of base, fiber tray and cover
- detachable fiber management tray (fiber inlay)
- up to 4 adapters in SC shape (LC, LX.5, SC, E-2000TM)
- adapters / connectors can be mounted inside or outside of the enclosure
- radius protected fiber overlength storage of 28mm
- Pigtail to Pigtail configuration
- special storage position for unused fibers
- two different levels sharing up to 12 splices
- 1 cable entry, 2 cable exit (optionally one at the top and one through the enclosure)
- outside cable entries and exit are sealed with polymer cable glands
- harsh environment protected ODC-2 (2 fibers) sockets mountable for creating "external" connections
- key lockable cover is individually lead sealable
- UV radiation resistant housing
- enclosure impermeability matches the requirement of tough outdoor applications (IP67)



OptiBox 4i is a fiber optic distribution and termination enclosure, which is used for splicing, patching or to perform with passive optical components.

The straightforward mounting box has its use in various industrial applications where tough environment conditions appear (IP67). The enclosure is therefore especially designed for indoor or outdoor deployment whether mounted onto walls or on poles. In order to protect the fibers from bending or environmental influence, conventional loose tube cables as well as breakout- and mini-breakout cables or MASTERLINE Quick cable divider can be fastened to the inside of the box. Further harsh environment connections such as ODC-2 can be mounted on the outline of the enclosure.

Technical data

Construction

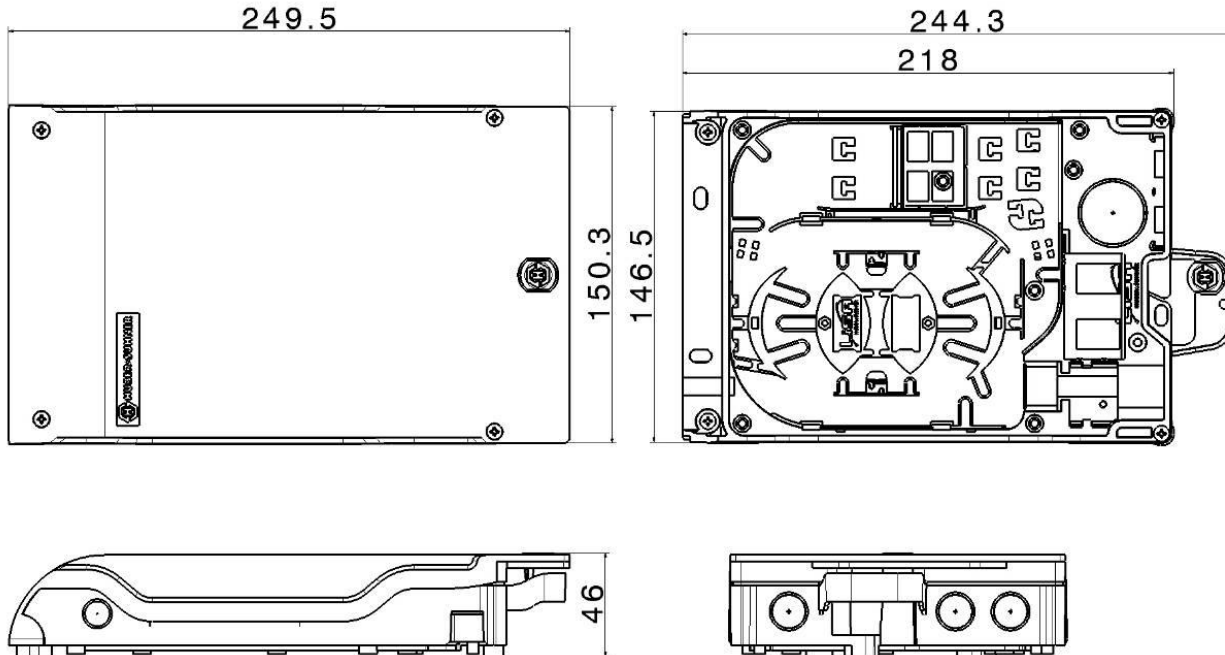
Description	Values	
Dimensions (W × L × H)	150 x 250 x 46 mm	5.9 x 9.84 x 1.81 inch
Capacity: detachable optical connections (inside)	8x LC and LX.5, 4x SC and E-2000TM	
detachable optical connections (outline)	2x ODC-2	
non detachable optical connections	24x sandwich-, 12x heat shrink splice protection	
Dimension (Ø) cable entry / exit	16mm	0.62 inch
Material: enclosure (cover / base)	PC	
fiber inlay / extension tray / add-on lid	PC/ ABS	
enclosure sealing	TPE, shore 50A	
Lock (cylinder quarter turn lock)	GD-Zn chrome-plated	
Weight: enclosure	436gr.	0.96 lbs
Color: enclosure (cover / base)	RAL 7024, graphite grey	
Fiber inlay / extension tray / add-on lid	RAL 9002, grey white	
Ingress protection degree (EN60529)	IP67	
Resistance to Impact (EN62262)	IK08	

Mechanical and environmental data

Wall boxes plastic Optibox 4i

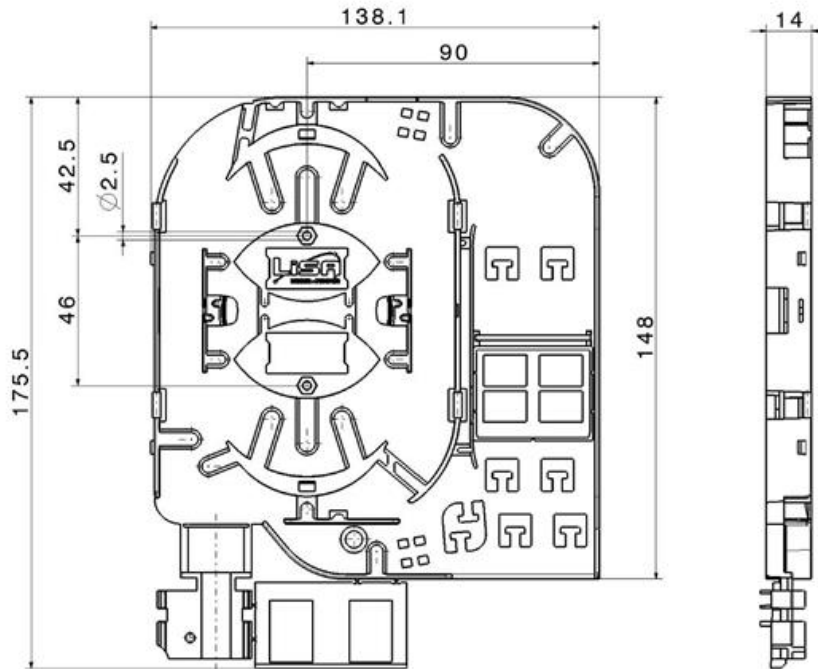
Description		Values
Temperature Resistance	Celsius	-46° ... +120°C
Short-term use	Fahrenheit	50° ... 250°F
Temperature Resistance	Celsius	-46° ... +81°C
Long-term use	Fahrenheit	50° ... 178°F
Insulation		fully insulated
Flamability rating	enclosure (cover / base / gasket)	UL 94C-0 / UL 94V-0 / UL 94V-2
	fiber inlay / extension tray / add-on lid	UL 94V-0
UV Resistance	enclosure (cover / base)	resistant
	fiber inlay / extension tray / add-on lid	limited resistant
Free of halogen		yes
Chemical Resistance		good
RoHS compliance		fully compliant

Technical data cable gland



Wall boxes plastic Optibox 4i

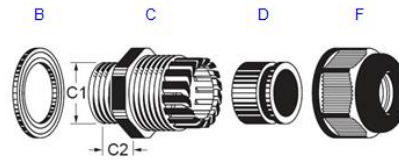
fiber management tray:



Technical data cable gland

Construction

Description	Values
Dimensions Cable Ø	M16 x 1.5 5.5 – 10mm 0.21 – 0.39 inch
Assembly	
B	gasket
C	body
D	cable sealing
F	threaded cap
Thread type	metric, according EN 60423
Material	Nylon PA66
Colore	RAL 9005, jet black
Ingress protection degree (EN60529)	IP 68 – 5 bar (5kg/ cm ²)

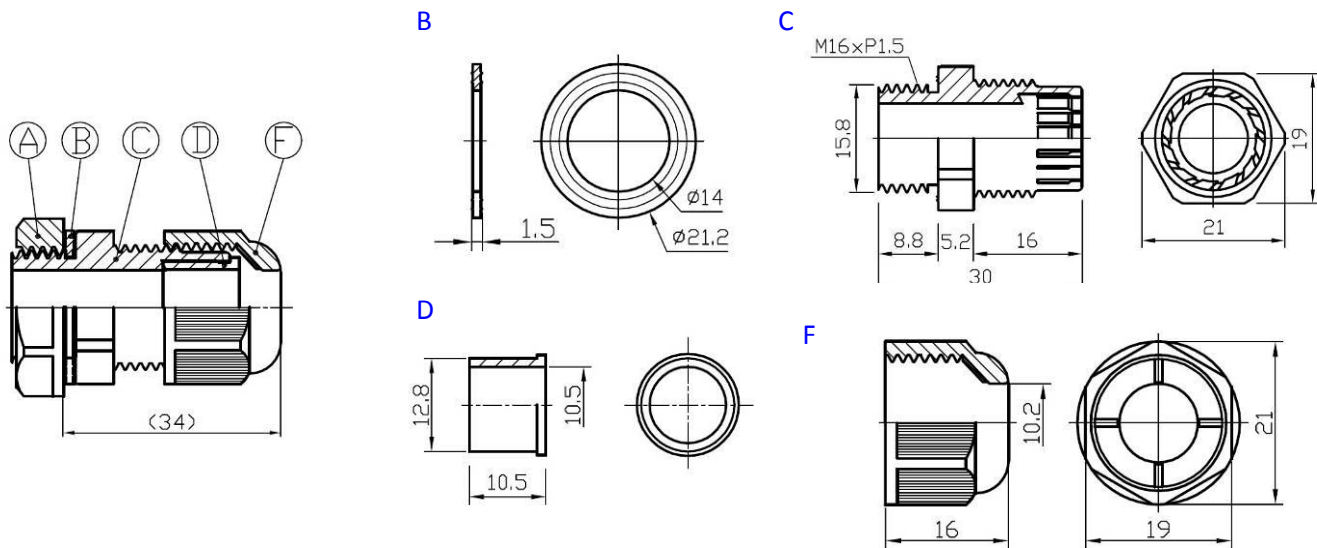


Wall boxes plastic Optibox 4i

Mechanical and environmental data

Description		Values	Tested acc. to	Comment
Temperature Resistance	Celsius	-46° ... +160°C		
Short-term use	Fahrenheit	50° ... 320°F		
Temperature Resistance	Celsius	-46° ... +105°C		
Long-term use	Fahrenheit	50° ... 220°F		
Insulation		fully insulated		
Flamability rating		UL 94V-0		
UV Resistance		fully insulated		
Free of halogen		yes		
RoHS compliance		fully compliant		
Chemical Resistance		good		
RoHS compliance		fully compliant		

Technical drawing cable gland



Ordering information

Description	Item number
Optibox 4i empty with cable gland	84076039

Related documents

Installation manual

DOC-0000294965