

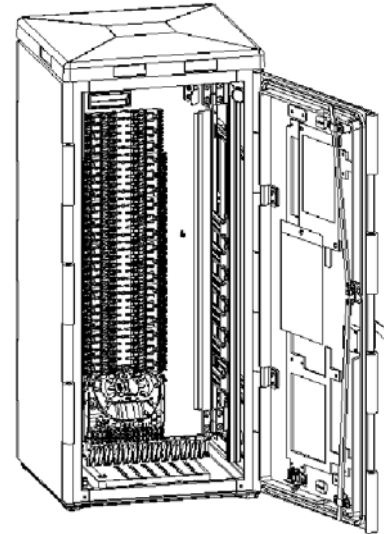
Smart Cabin

SC UNI 4/400

Description

Characteristics

- Separated areas for splicing and cable management
- 36 ACS cassette fixing positions for best modularity
- High packing density for 72 x Ø7 mm micro tubes
- Turn able cassette area up front with magnetic fixation for optimised access
- Loose tube storage area
- Reliable cabinet technology from SICHERT GmbH
- Cable entry plate for fixation of different cables and tubes
- CRC enabled to connect incoming tubes



Weather resistant outdoor cabinet, made of glass fibre reinforced polycarbonate. Assembled with the Huber + Suhner ACS cassette system in the front and a well organised micro duct management in the back side of the cabinet. This cabinet is specific designed for a safe and cost efficient installation of a FTTX networks.

Technical data

Construction

Description	Values	Comment
Cabinet (W x L x H)	442 x 400 x 998 mm	UNI 4/400
Cabinet (Weight)	24.0 kg	
Base (W x L x H)	442 x 400 x 400 mm	Not in the scope of delivery
Base (Wight)	14.0 kg	
Strain relief UN14	1.0 kg	Not in the scope of delivery
Color	RAL 7038	agate grey
Locking mechanism	3-point locking system	for profile half cylinder
Material	Glass fibre reinforced polycarbonate (PC-GF)	100% recyclable
Micro duct fixations	For up to 72	Fixation Clips (ø 5-12mm) are not in the scope of delivery
Splice cassettes	36 SCM	Double sided cassettes

Mechanical and environmental data

Characteristics	Values	Tested acc. to	Comment
Mechanical rating	IK 10	IEC 62262, DIN EN 50102/A1, EC 60068-2-75	
Protection rating	IP54	DIN 40 050, IEC 529, VDE 0470, EN 60529	
Operating temperature range	-45° to +45°C	ETSI EN 300 019-1-4 Class 4.1 E	@ relative humidity of 15% to 100%
Water condensation	No	DIN 47609	
Durability	> 25 years		
RoHS and REACH	compliant		100% recyclable

HUBER+SUHNER is certified according to EN(AS) 9100, ISO 9001, ISO 14001, ISO/TS 16949 and IRIS.
 Waiver: Fact and figures herein are for information only and do not represent any warranty of any kind.
 Document: DOC-0000654907 / Rev. A / Date of publication: 23.04.2015 / uncontrolled copy

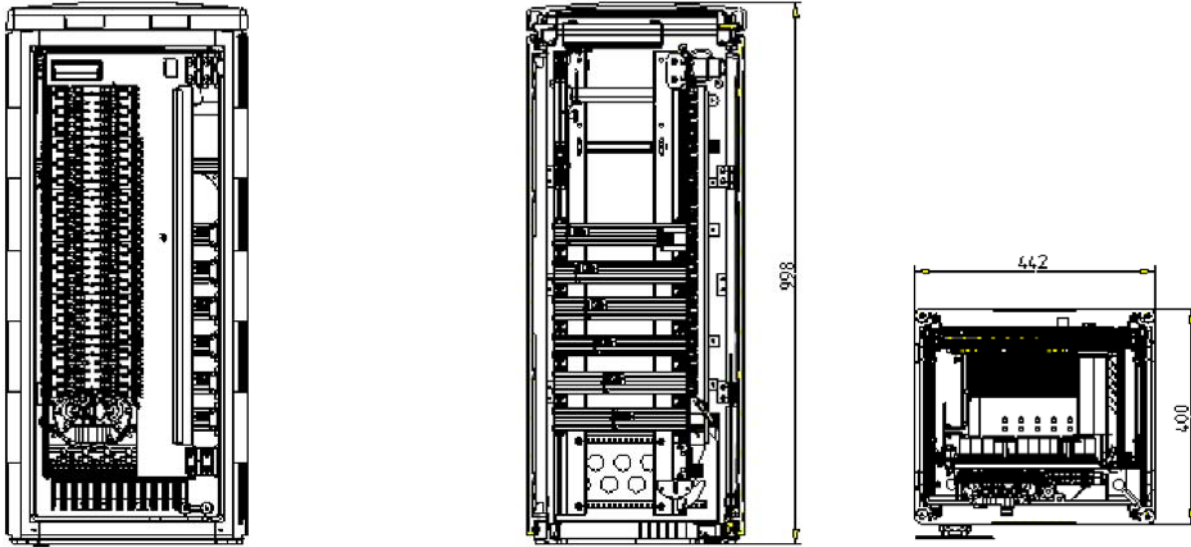
www.hubersuhner.com

Page 1/2

Smart Cabin

SC UNI 4/400

Technical drawing



Ordering information

Description	Item number	Comment
Smart Cabin UNI 4-400 including 36 SCM cassettes. (no base, no strain relief, no splice holders and no fixation clips are included)	85026452	
Base UNI 4 / 400	85031307	
Strain relief UNI 4	85031292	
SmartCabin Clip DN 5 sz	85031316	Microduct fixation clip black / ϕ 5
SmartCabin Clip DN 7 bl	85031317	Microduct fixation clip blue / ϕ 7
SmartCabin Clip DN 10 gy	85031318	Microduct fixation clip grey / ϕ 10
SmartCabin Clip DN 12 ye	85031319	Microduct fixation clip yellow / ϕ 12

Related documents

Description	Document number
Installation manual	DOC-0000642923
Installation manual cabinet	DOC-0000709087
Data sheet for ACS cassettes	DOC-0000603673
Data sheet for splice combs for ACS	DOC-0000603749
Data sheet for CRC (cable relief clamps)	DOC-0000603686

Additional information

Description	
Microsite for FTTH solution	www.fibertothethehome.hubersuhner.com