

INSTALLATION MANUAL

HUBER+SUHNER

HUBER+SUHNER AG
Fiber Optics
MASTERLINE Ultimate Power
DOC-0000888444 Rev C

August 03, 2020
Page 1 of 11

MASTERLINE Ultimate Power

Table of contents

• SAFETY NOTES	1
• HANDLING OF THE CABLING SYSTEM	1
• HANDLING OF FIBER OPTIC ASSEMBLIES	1
• RRRH END OF ASSEMBLY	2
• BASE STATION END OF ASSEMBLY	8
• POWER CODING FOR MLUP3	9
• POWER CODING FOR MLUP6	10
• REVISION HISTORY	11

SAFETY NOTES



Installation and maintenance work on this device must be carried out only by an authorised electrician.

National laws and regulations must be observed during installation. The housing and the components used must be checked for exterior damage prior to installation. If the cabling system is defective, it must not be used.

HANDLING OF THE CABLING SYSTEM



To avoid any damage due to improper installation, please note the following points:

- AVOID any additional stress on the connector head causing by twisting or bending during routing or location
- AVOID installation paths around any sharp objects
- AVOID uncontrolled impacts of the connector head against any hard object
- AVOID any contact between the connector head and any additional substance such as glue, oil or fat, unless prior authorisation is given by HUBER+SUHNER AG

See also the "User handling manual for cables and cable systems" available at www.hubersuhner.com/en/support

HANDLING OF FIBER OPTIC ASSEMBLIES



To guarantee proper performance, fibre optic assemblies must be handled carefully with due attention to the minimum bend radius and never exposed to dirt.

See also the "User handling manual for cables and cable systems" available at www.hubersuhner.com/en/support

RRH END OF ASSEMBLY

Step 1

Use a smartphone to scan the QR code on the side of the reel. The QR code provides a link to the HUBER+SUHNER website, where you can find the latest valid revision of installation manual.



MLUP

INSTALLATION MANUAL

MASTERLINE Ultimate Power

Step 2

Remove the mounting bracket attached to the spool. Secure the mounting bracket with hose clamps (when fitting to a pole/mast) or screws (when fitting to a wall).

We recommend that you use HUBER+SUHNER's quick hose clamps and tighten the clamps using a torque of 4.0 Nm.

Item no. 84076411 (pole Ø 30 – 155 mm)

Item no. 84076412 (pole Ø 60 – 500 mm)



Step 3

Mount the cable spool onto suitable de-reeling equipment. Start unwinding from the side where the MLUP connector head is located. Do not pull on the side where the pulling tube is attached. Make sure that the spool can rotate freely when unspooling.

Do not remove the protective bubble foil until immediately before attaching the MLUP connector head to the mounting bracket.



Step 4

Use a rope to pull up the cable system.



Check the maximum pulling force (at 50°C ambient temperature for 1 hour) as specified on the label attached to the hoisting grip. Do not apply higher force! The maximum pulling force equates to the weight of 100 m of cable.

The cable weight is specified on the data sheet. Cabling systems longer than 100 m may not be lifted more than 100 m vertically unless a second hoisting grip is used.

Contact HUBER+SUHNER for further installation instructions.



Note: 920 N / 92 kg is only an example and depends on the power cable used

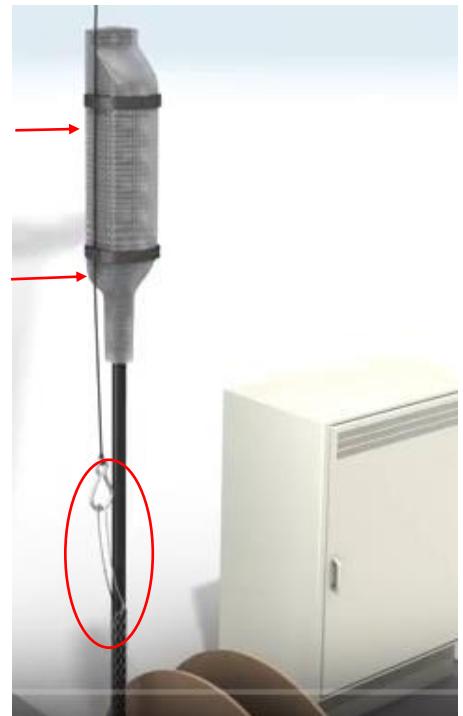
Lead the rope along the left side of the MLUP connector head down onto the cable hoist and secure it.

Use two tapes to fix the rope to the lower and upper end of the connector head.

Do not remove the air bubble bag which protects the connector head while lifting the cabling system.

Pull the cabling system up the mast.

Make sure that the MLUP connector head does not impact against any structures and is not bent over edges.

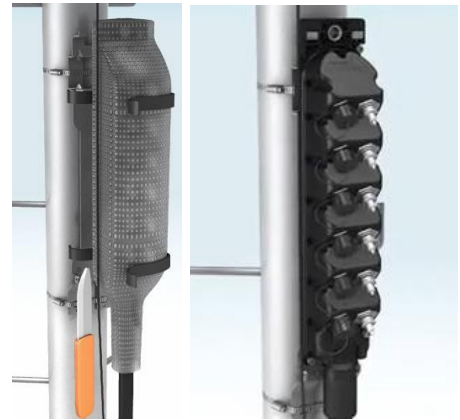


Step 5

Remove the MLUP head fixture (tape) from the rope and remove the air bubble bag from the MLUP connector head. Hook the MLUH head into the mounting bracket.



Do not remove the rope from the hoisting grip until after all cable clamps are mounted.



Step 6

Secure the MLUP connector head on the mounting bracket by tightening the two M6 screws on the bottom left and top right corner.



Tighten the M6 screws using a torque of 2 Nm. Be careful not to damage the housing by tightening the screws too tightly.



Step 7

Fix the cable to the mast using HUBER+SUHNER clamps, which are available for different profiles.

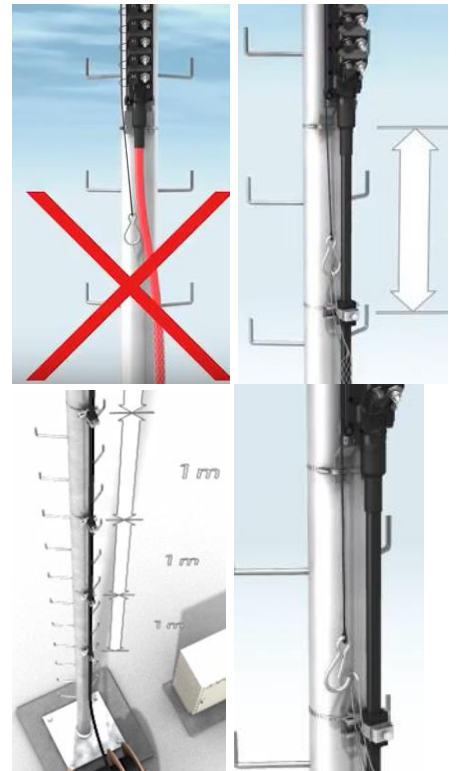
Clamps should be applied to the hybrid cable starting from a point 0.5m to 1.0m below the cable entry proceeding down to the bottom of the mast. The cable has to be fixed straight and in line with the MLUP enclosure between the cable entry and the first cable clamp. Maximum allowed misalignment is 15° respective 0.14 m at 0.5 m below the cable entry.

Recommended spacing between the clamps is 1 m. The minimum bending radius of the cable is 10x cable diameter.

After all cable clamps are attached, remove the rope.



Do not remove the rope before all cable clamps are mounted.

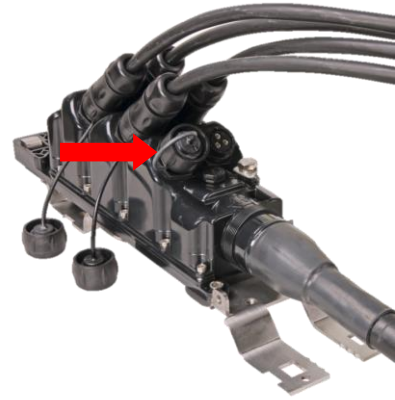


Step 8

All connectors are protected with water proof (IP67) protection caps.



Do not remove the cap only at the moment when the plug connector is mated.

**Step 9**

The remote radios are connected with power jumpers which are terminated with a rugged circular plastic plug connector and are blunt cut on the RRH side.



Step 10

Connect power jumper of connector head.

MLUP3: The 3 power connector sockets are marked with the numbers 1L to 3L on the left side and starting at the top of the housing.

MLUP6: The 6 power connector sockets are marked with the numbers 1L to 3L on the left side and 1R to 3R of the right side starting at the top of the housing.



Switch off the power supply before you mate or un-mate the power connector. Otherwise the contacts will get damaged. Connector is not for hot plugging.

Mating:

Remove protection caps of the plug. Twist (120°) the coupling ring of the plug connector to remove protecting cap as shown. Note the lock / unlock symbol on the coupling ring.

Remove protection caps of the socket on the MLUP. Twist (120°) the coupling ring of the socket connector anticlockwise to remove protecting cap as shown.

Connect the two protection caps together for later reuse.

Push plug connector slightly and in-line into socket connector, rotate to find keying position, twist coupling ring of the plug connector clockwise as shown until you hear and feel a “click”. Align white strip on the plug with the white strip on the socket to find keying position easier.



Make sure the plug connector is in-line with the socket connector before coupling ring is twisted. Otherwise the connector might be damaged. Avoid any tilt during mating process since the connector might be damaged.

Un-mating:

Twist coupling ring anticlockwise as shown to un-mate the plug connector. Note the lock / unlock symbol. Mount the protection cap to avoid ingress of water or dirt.

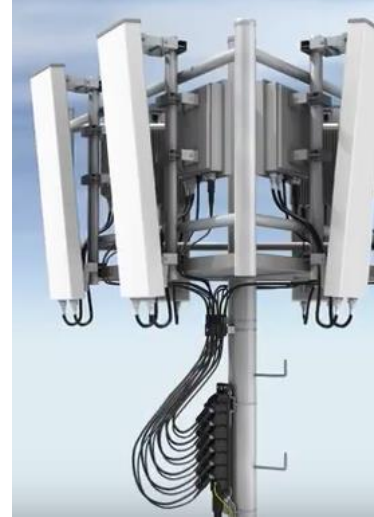


Step 11

Ensure smooth routing of all cables from connector head to RRH equipment using HUBER+SUHNER cable clamps, which are available for different profiles.



Do not over bend the cables. Minimum bend radius for power cable is 10 cm. Avoid side load on the power connector.
Do not use cable ties to fix cables



Step 12

Optional, a stainless steel protective cover can be easily fitted over MLUP connector head and secured with two screws.





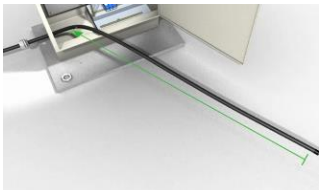
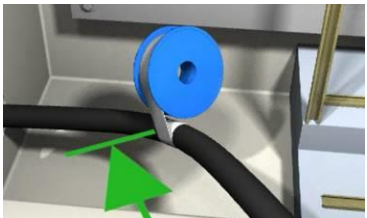
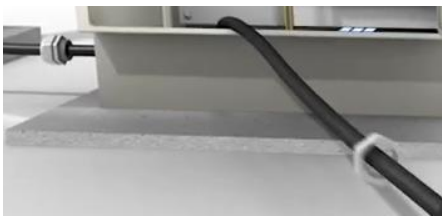
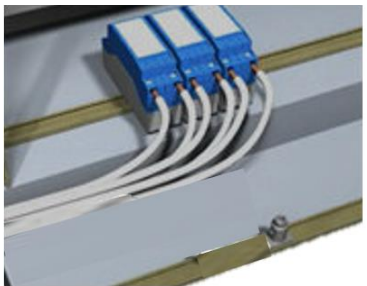
Attach the safety cord to the bracket and the protective cover.

Protection cover for MLUP6:

Stainless steel, dimensions (L x H x W) 365 x 200 x 90 mm

- Item no. 85032157



BASE STATION END OF ASSEMBLY		
Step 1	Unwind the whole assembly from the reel and lay the cable to the end equipment. Use the pulling eye to feed the power cable through a conduit.	
Step 2	Remove gland nut from cable and keep it safe.	
Step 3	Feed tails through cabinet/cabin.	
Step 4	Mark the "strip-back point" using tape.	
Step 5	Feed gland nut over cable to secure to cable entry gland if required.	
Step 6	<p>Remove pulling eye from the cable system and strip cable jacket off the right position. Remove cable jacket carefully.</p> <p>Route conductors to their respective termination points and connect.</p> <p>MLUP3: The conductors are numbered 1 to 6 (black number on white insulation) or are color coded.</p> <p>MLUP6: The conductors are numbered 1 to 12 (black number on white insulation) or are color coded.</p>	

POWER CODING FOR MLUP3

Power connector number on MLUP connector head	RRH end Power jumper 2-core cable	BTS end Multi-core power cable
	conductor / color code	conductor numbering / color code
1L	Brown -48V	1-White
	Blue 0V	2-White
2L	Brown -48V	3-White
	Blue 0V	4-White
3L	Brown -48V	5-White
	Blue 0V	6-White

POWER CODING FOR MLUP6

Power connector number on MLUP connector head	RRH end Power jumper 2-core cable	BTS end Multi-core power cable
	conductor / color code	conductor numbering / color code
1L	Brown -48V	1-White
	Blue 0V	2-White
2L	Brown -48V	3-White
	Blue 0V	4-White
3L	Brown -48V	5-White
	Blue 0V	6-White
1R	Brown -48V	7-White
	Blue 0V	8-White
2R	Brown -48V	9-White
	Blue 0V	10-White
3R	Brown -48V	11-White
	Blue 0V	12-White

REVISION HISTORY

Revision	Description of detailed changes	Manager/Engineer	Applicable date
Rev. A	First Version	Mourad Chennaoui	2020-06-29
Rev. B	Changed the coding / MLUP3 and MLUP6	Mourad Chennaoui	2020-06-29
Rev. C	Step 4 / Label changed maximum pulling force at 50°C ambient temperature for 1 hour Note: maximum 920N / 92 kg	Mourad Chennaoui	2020-08-03