

Mounting Instruction

SENCITY® Active In-Carriage Antenna



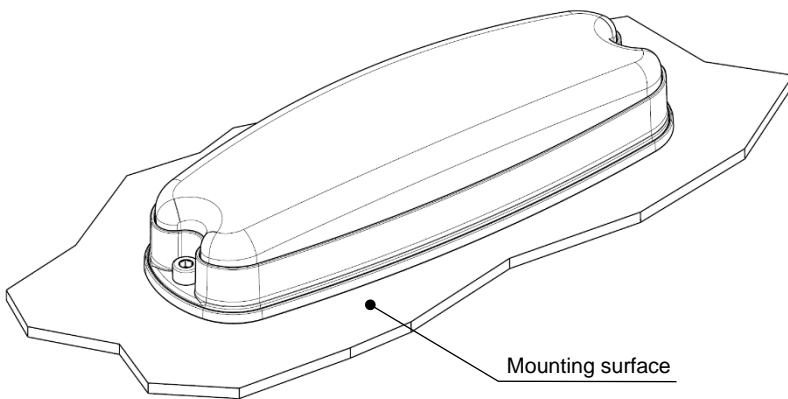
Keep away from catenary and high voltage lines.
Be careful when working at height!
Always secure ladders!
Always tighten screws!



Avoid bringing the cover of the antenna into contact with acetone, gasoline or oil.

Dimensions in millimeter [mm]

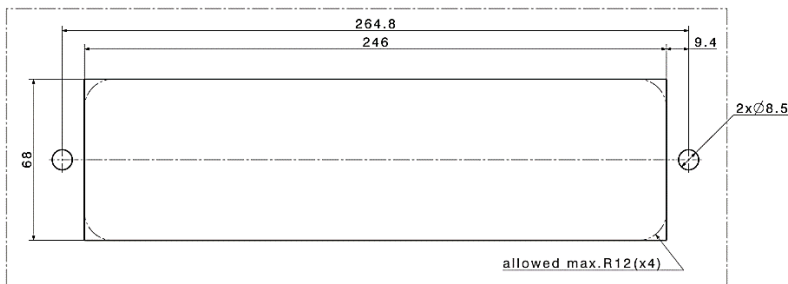
Mounting surface



Antenna shall be mounted indoor.

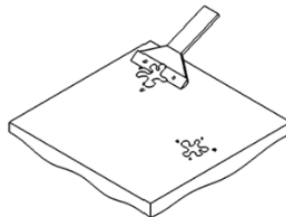
The surface where the antenna is mounted shall be stable

Drilling of boreholes and preparation of mounting surface



Cut out the rectangular shape according to the template.

Drill two holes for the M8 mounting screws.

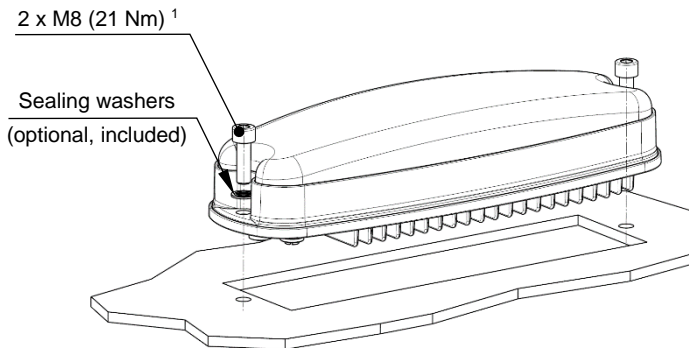


Clear the area where the antenna is mounted from paint, corrosion, anodized layer, dust, cutting chip, burrs, oil and grease.

Mounting Instruction

SENCITY® Active In-Carriage Antenna

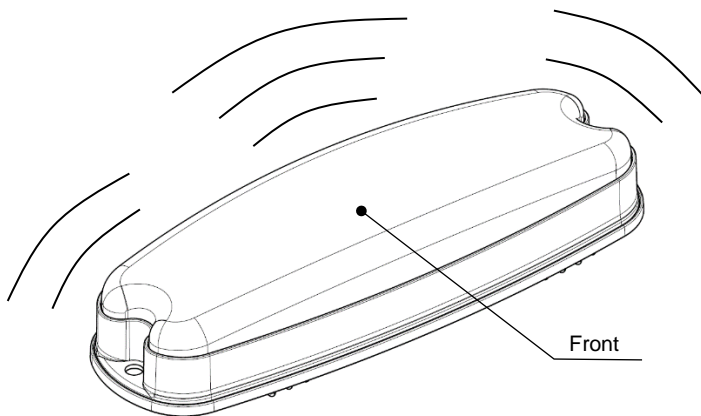
Mounting



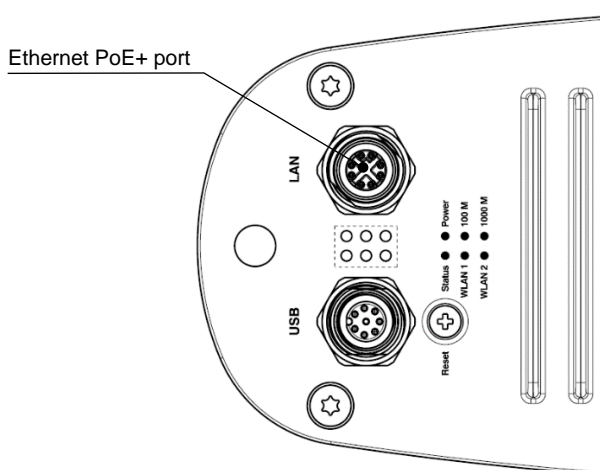
Product shall be mounted with two M8 screws

¹⁾ Use mounting screws according to ISO 4762. Screws are not included.

Connection of cables



Please avoid any metallic material in front of the antenna or beside it.



Connect Ethernet cable to the correct port as shown.

Use cable holder to avoid any tension forces on the connectors.

General remarks

This product can be returned to HUBER+SUHNER for recycling at the end of its useful life. Please contact your local agent.