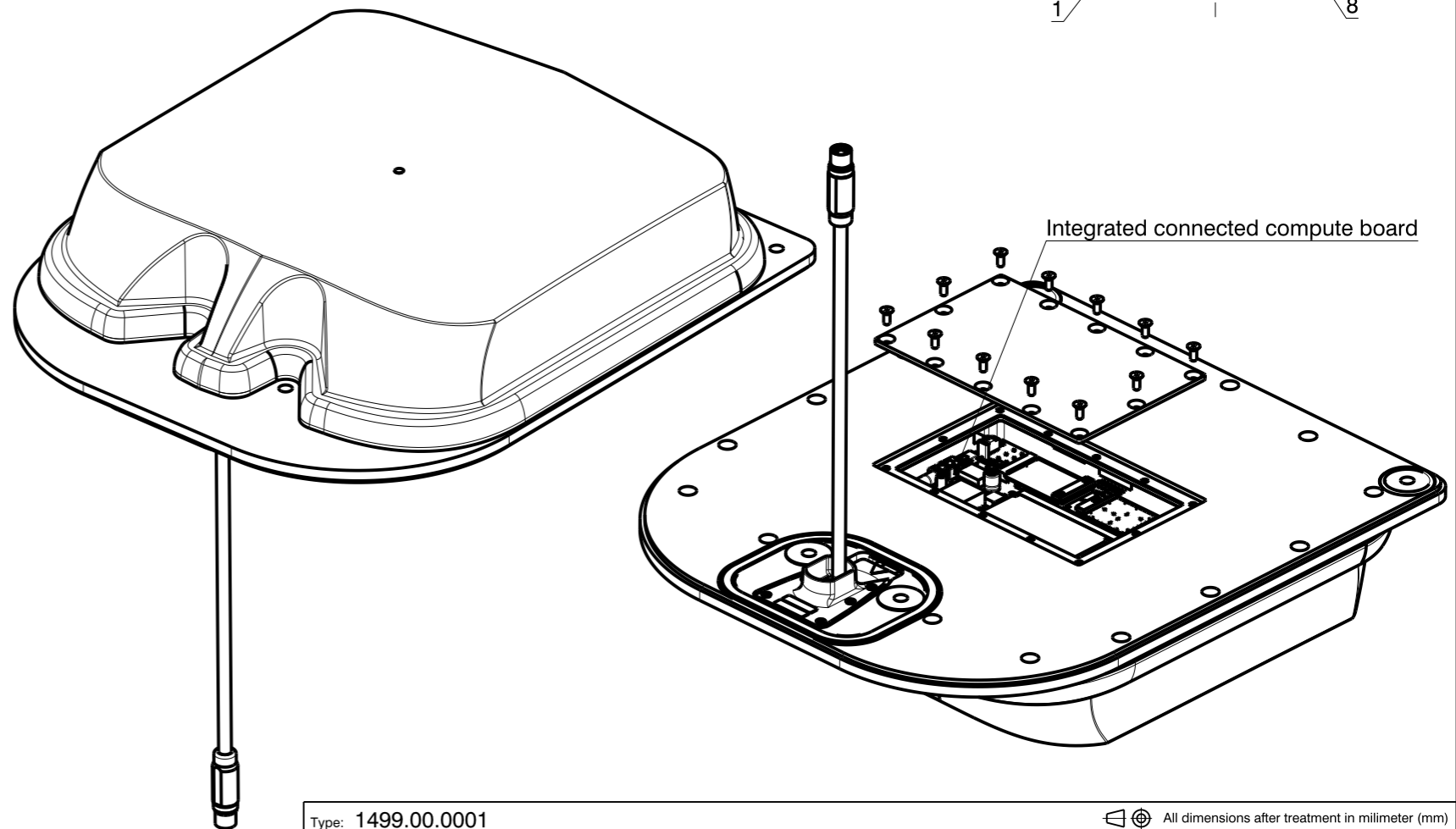
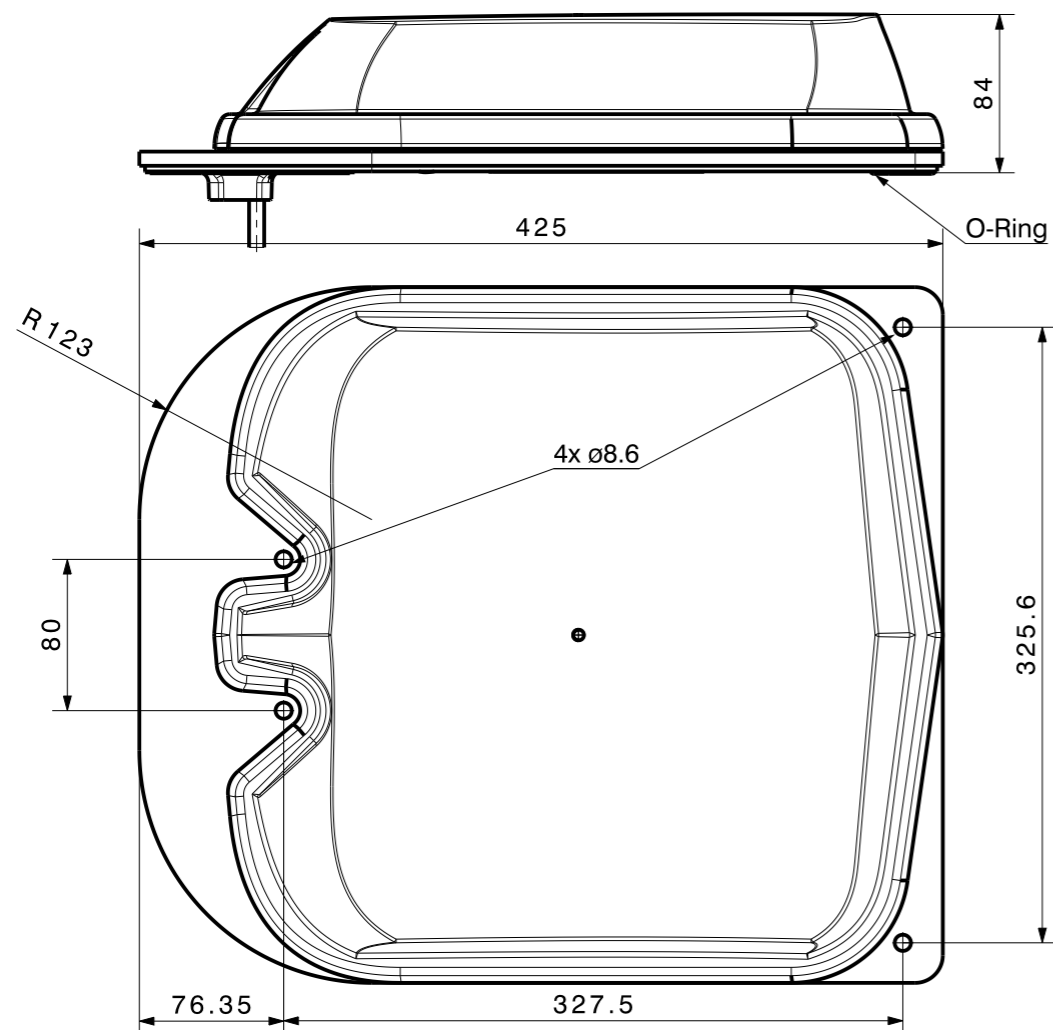
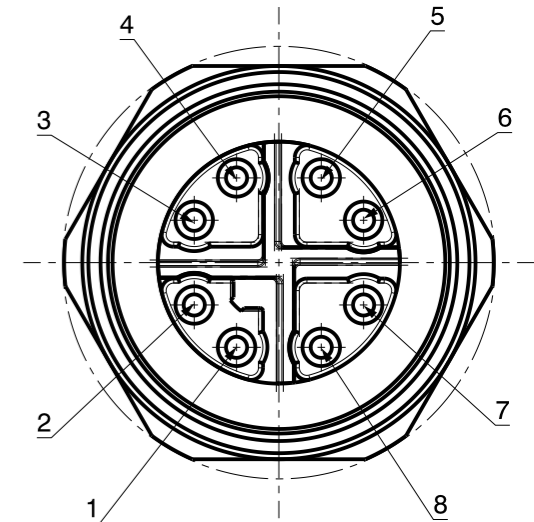


Pin No.	Description	PoE
1	Bidirectional (0)+	PoE V+ / P
2	Bidirectional (0)-	PoE V+ / P
3	Bidirectional (1)+	PoE V- / N
4	Bidirectional (1)-	PoE V- / N
5	Bidirectional (3)+	
6	Bidirectional (3)-	
7	Bidirectional (2)-	
8	Bidirectional (2)+	

Pin Assignment view



Type: 1499.00.0001

All dimensions after treatment in millimeter (mm)

Assembly drawing

Released date:

alternative ID

3D-ID PRO-01102899 A Sheet: X/X

HUBER+SUHNER

description

ID

Release

Antenna

DOU-01102906 A