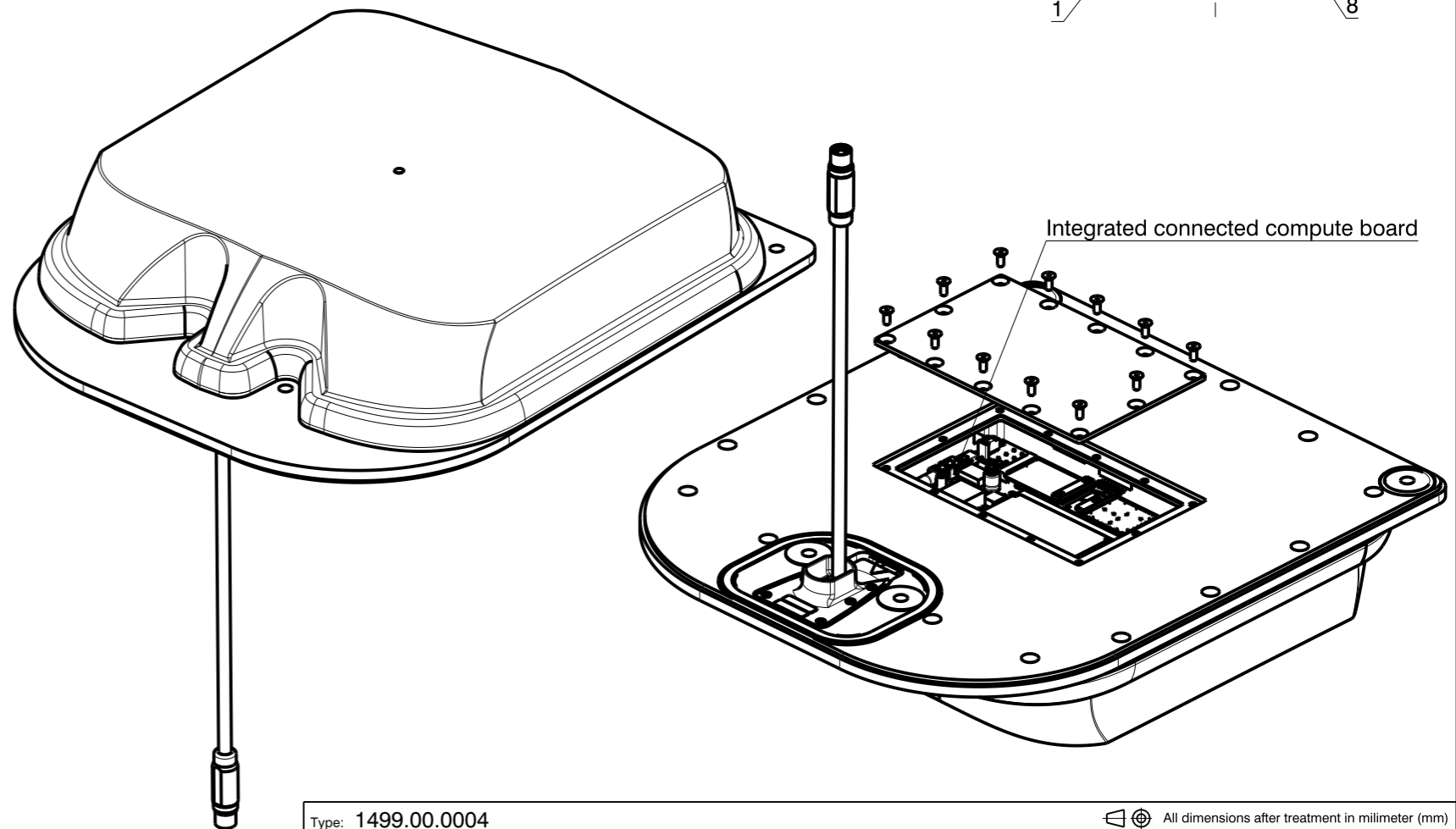
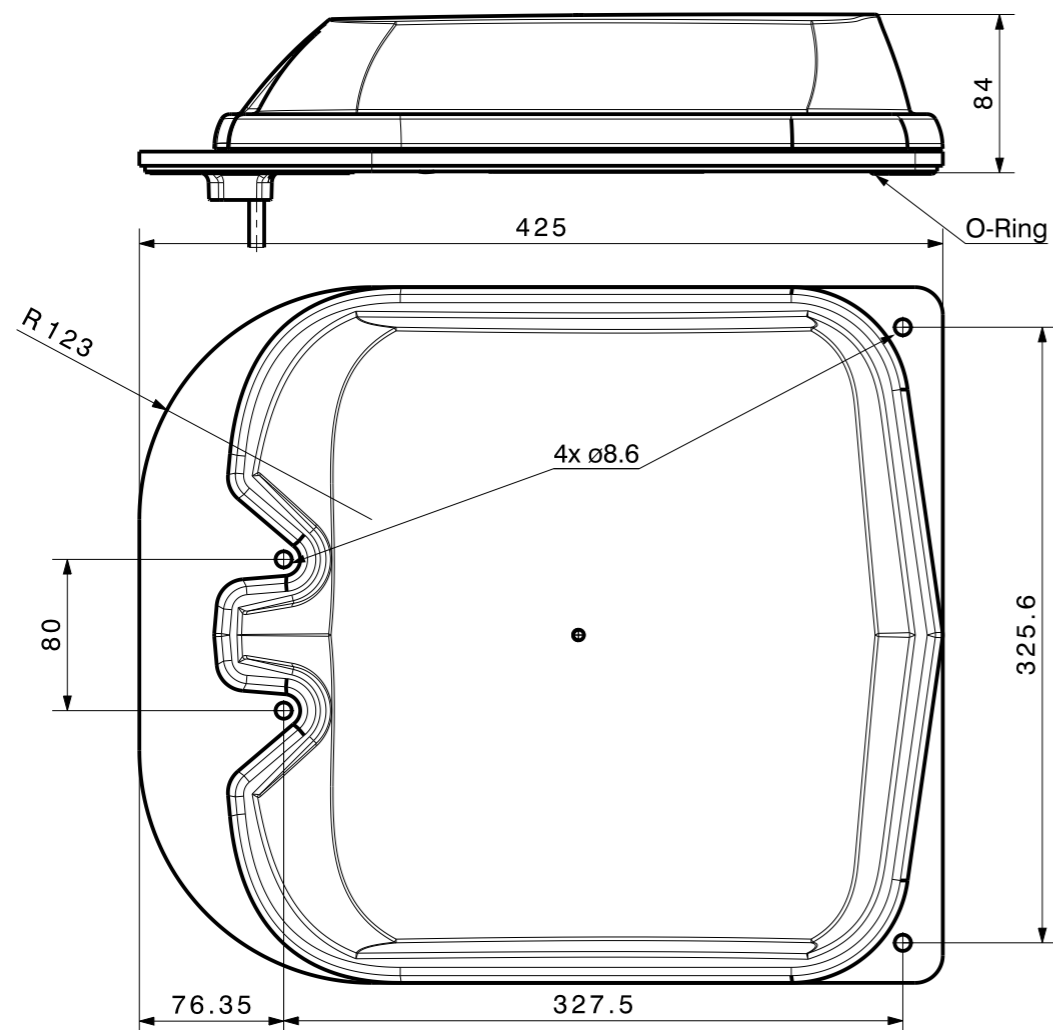
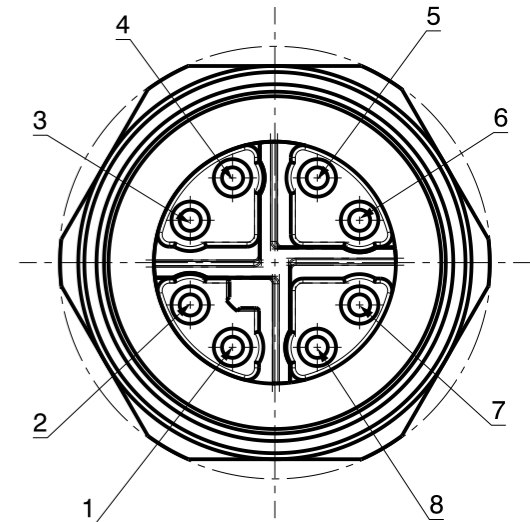


Pin No.	Description	PoE
1	Bidirectional (0)+	PoE V+ / P
2	Bidirectional (0)-	PoE V+ / P
3	Bidirectional (1)+	PoE V- / N
4	Bidirectional (1)-	PoE V- / N
5	Bidirectional (3)+	
6	Bidirectional (3)-	
7	Bidirectional (2)-	
8	Bidirectional (2)+	

Pin Assignment view



Type: 1499.00.0004

All dimensions after treatment in millimeter (mm)

Assembly drawing

Released date:

alternative ID

3D-ID PRO-01117618 A Sheet: X/X

**HUBER+SUHNER**

description  
Antenna

ID  
DOU-01117619 A