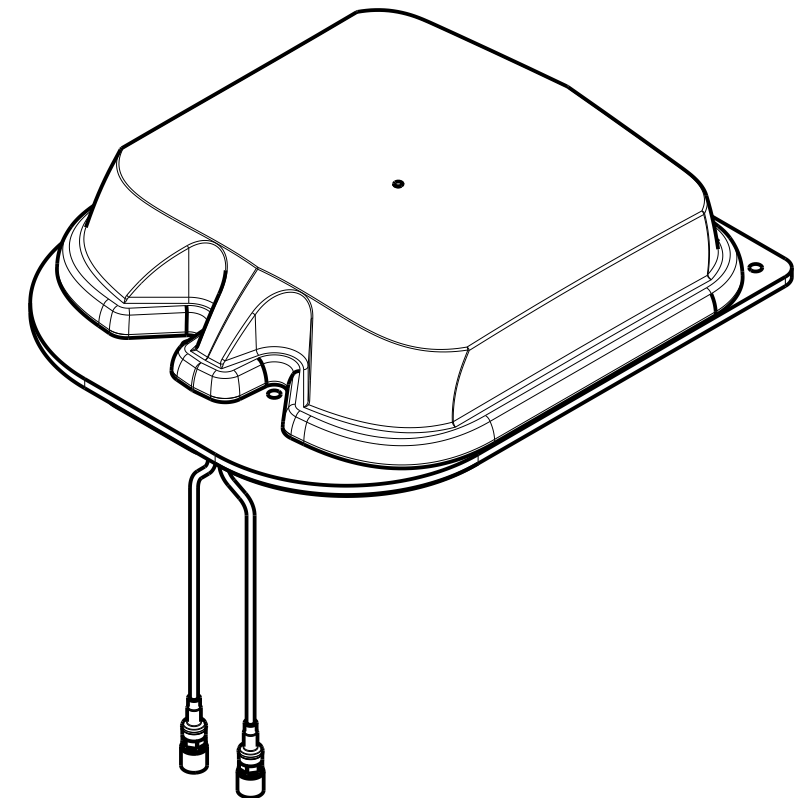
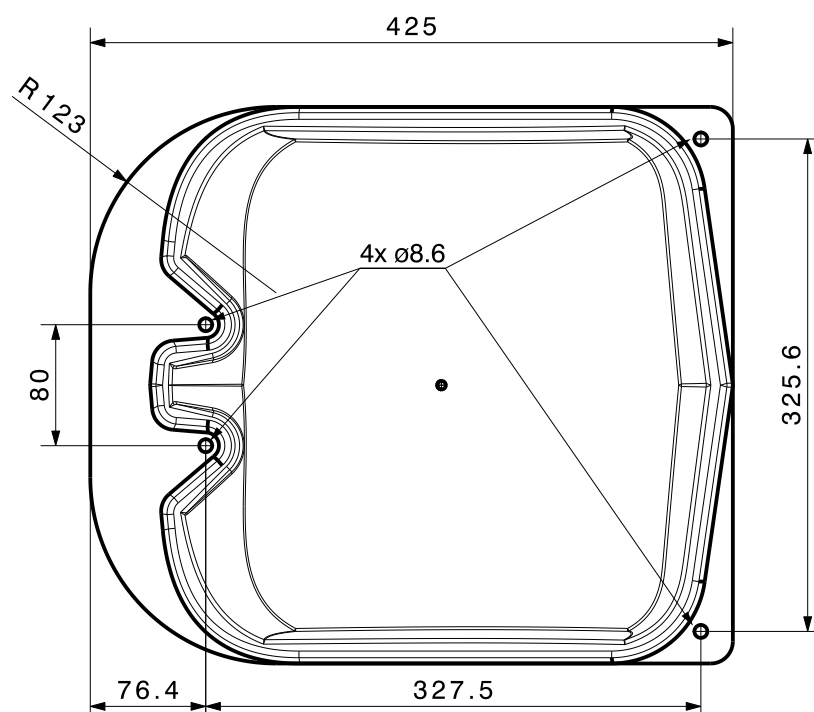
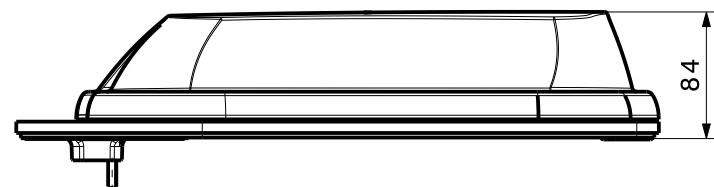
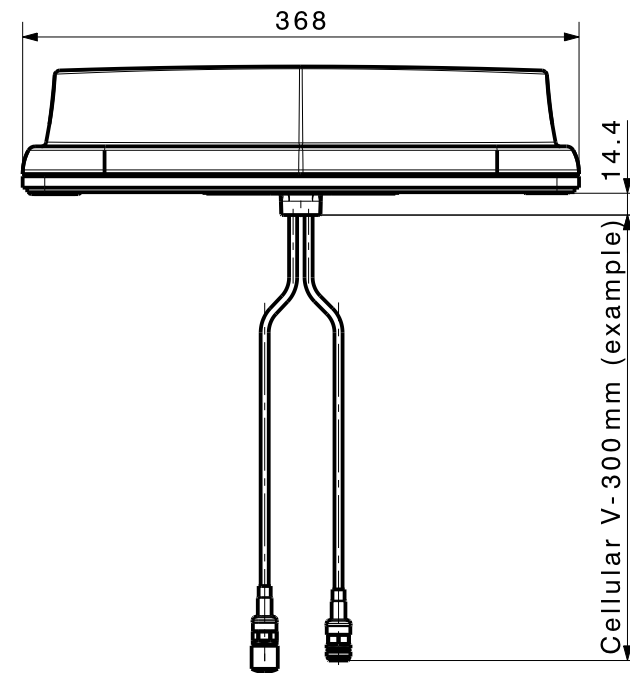
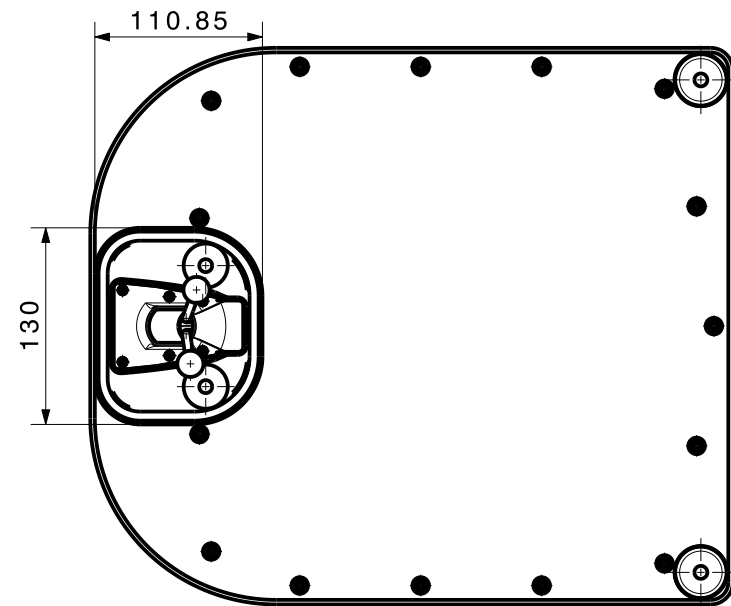


Radiator	Cable length [mm] Tol.: ± 8 mm
Cellular H	300
Cellular V	300

All cable lengths are measured as shown in the example.



Type: 1399.17.0300		All dimensions after treatment in millimeter (mm)	
Assembly drawing	Released date:	alternative ID	3D-ID PRO-01115840 A Sheet: X/X
<b>HUBER+SUHNER</b>	description	ID	Release
Antenna		DOU-01115841	A