

HUBER+SUHNER[®]
SENCITY[®] ANTENNA
FOR WIRELESS COMMUNICATION



Mounting Instruction

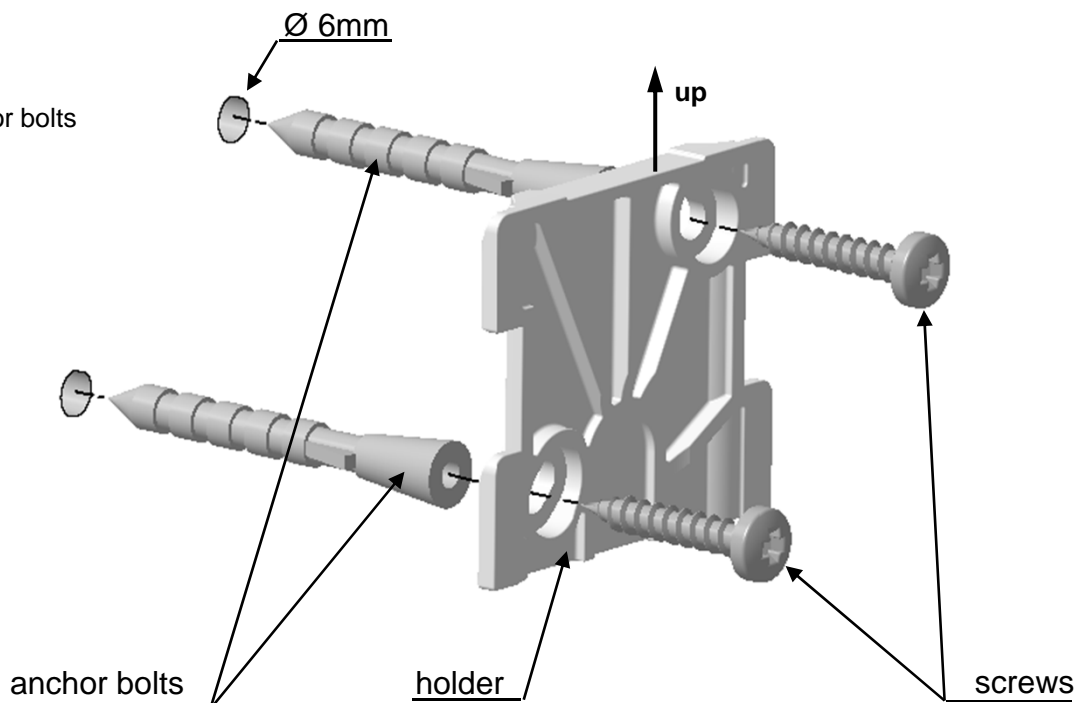


Keep away from catenary and high voltage lines.
Be careful when working at height!
Always secure ladders!
Always tighten screws!

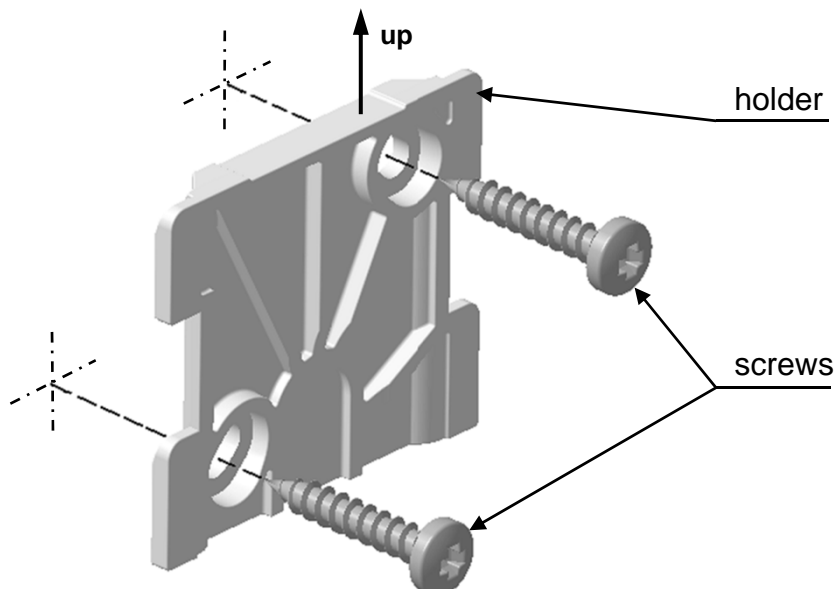
Antenna mounting

Step 1:
Mount the holder at the wall
(screws and plugs are included)

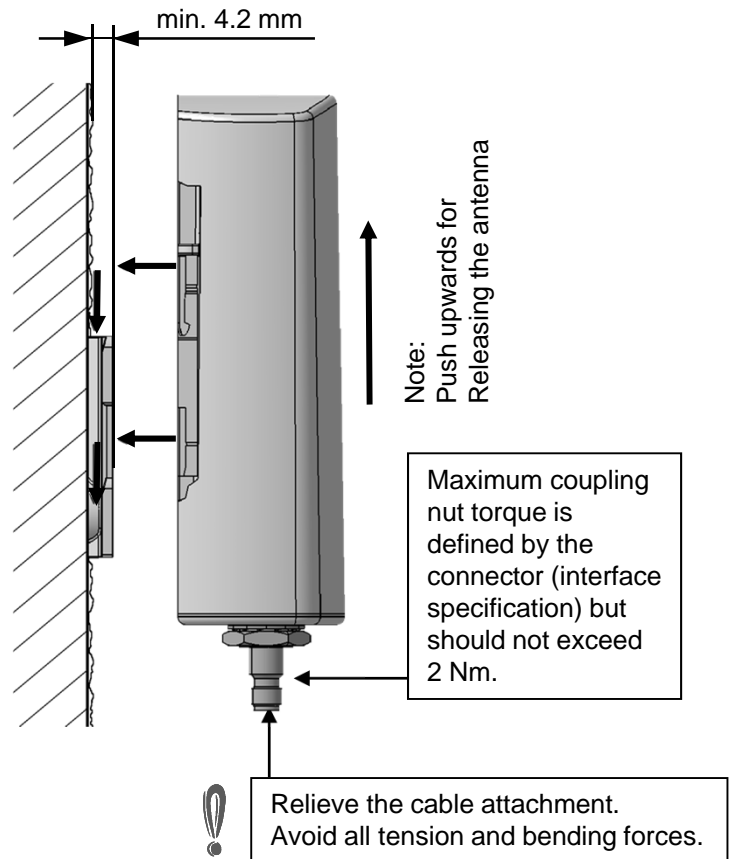
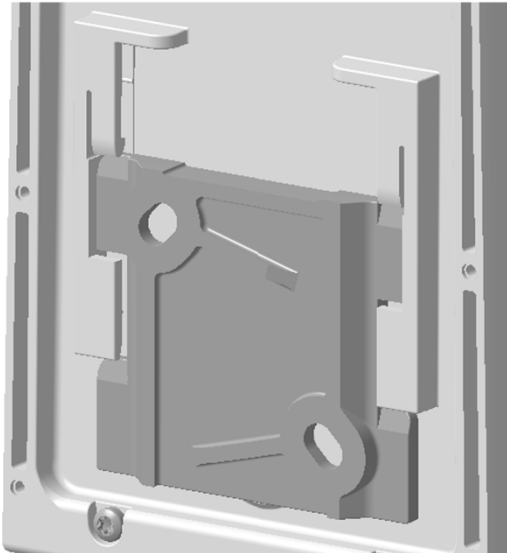
a) mounting with anchor bolts



b) mounting without anchor bolts

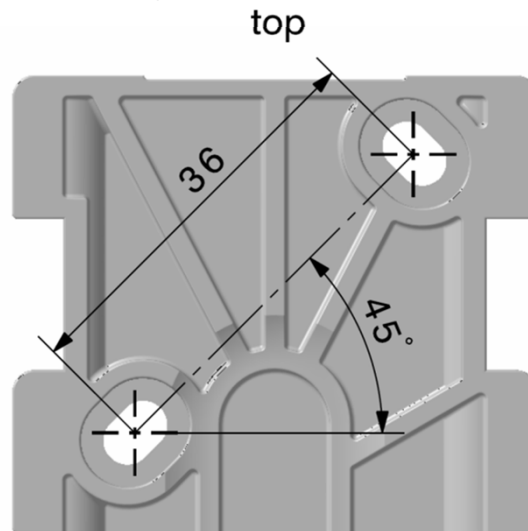


Step 2:
Mount the Antenna onto the holder
(Set the antenna on the guide
and press it down, until it engages)



Drawing of mounting holes
(all dimensions in mm)

! Do not use as 1:1 drilling template!



HUBER+SUHNER is certified according to ISO 9001 and ISO 14001,
ISO/TS 16949 and IRIS.

WAIVER!

It is exclusively in written agreements that we provide our customers with warrants and representations as to the technical contained specifications and/or the fitness for any particular purpose. The facts and figures herein are carefully compiled to the best of our knowledge, but they are intended for general informational purposes only.



HUBER+SUHNER AG
RF Technology
9100 Herisau, Switzerland
Phone +41 (0)71 353 41 11
Fax +41 (0)71 353 47 51
www.hubersuhner.com

HUBER+SUHNER – Excellence in Connectivity Solutions

Doc. No. 0000287053
Art. No. 84071491
Revision F