

## RF-over-Fiber RFoF1 – 2 GHz LN 1550nm

### Description

The RF-over-Fiber link (RFoF1 – 2 GHz) converts an analog RF signal into an optical signal and also converts the optical-signal back to an RF signal. The modules 85161319 and 85157470 offers excellent stability and high dynamic range.



Part Number	Part Description
85161319	RFoF1 – 2 GHz LN 1550 (TX)
85157470	RFoF1 – 2 GHz LN (RX)

### Electrical Data

Parameters		Value			Remarks
		Min.	Typ.	Max.	
All specifications at 25°C case temperature T <sub>c</sub> , unless otherwise specified					
Frequency range	MHz	950		2000	
Gain	dB	4.0	5.5	7.5	
Gain flatness	dB		1	1.5	950 .. 2000 MHz
Noise figure	dB		22	24	
SFDR3	dBHz <sup>2/3</sup>	112	113		
SFDR2	dBHz <sup>1/2</sup>	90			f <sub>1</sub> + f <sub>2</sub> (f <sub>1,2</sub> = 955 MHz, 1000 MHz)
Max. input power at 1dB compression	dBm		2		950 .. 2000 MHz
Max. input power for no damage	dBm	20			
VSWR (RF input and output)	-			1.9	950 .. 2000 MHz
Input 3 <sup>rd</sup> order intercept point	dBm		19		950 .. 2000 MHz
Input 2 <sup>nd</sup> order intercept point	dBm		30		950 .. 2000 MHz
Time delay	ns		22		with 2 m test assembly
Crosstalk between two modules	dB			<-120	modules in close proximity
Supply voltage transmitter	VDC	+11	+12	+16	max. 250 mA
Supply voltage receiver	VDC	+11	+12	+16	max. 140 mA
RF input impedance	Ohm		50		
RF connectors		SMA (female)			

### Optical Data

Parameters		Value			Remarks
		Min.	Typ.	Max.	
All specifications at 25°C case temperature T <sub>c</sub> , unless otherwise specified					
Wavelength	nm		1550		
Fiber optic connectors			FC/APC		
Fiber			standard single mode 9/125 μm		
Optical power in fiber	mW		4...7		
Side mode suppression ratio	dB	30	40		

### Environmental Data

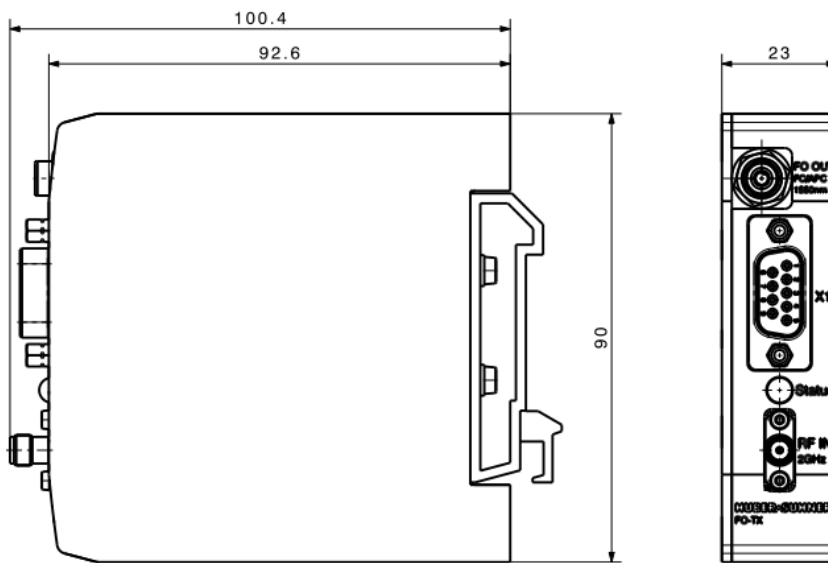
Parameters		Value			Remarks
		Min.	Typ.	Max.	
Temperature range	operating	°C	-40		+85
	storage	°C	-40		+85

## RF-over-Fiber RFoF1 – 2 GHz LN 1550nm

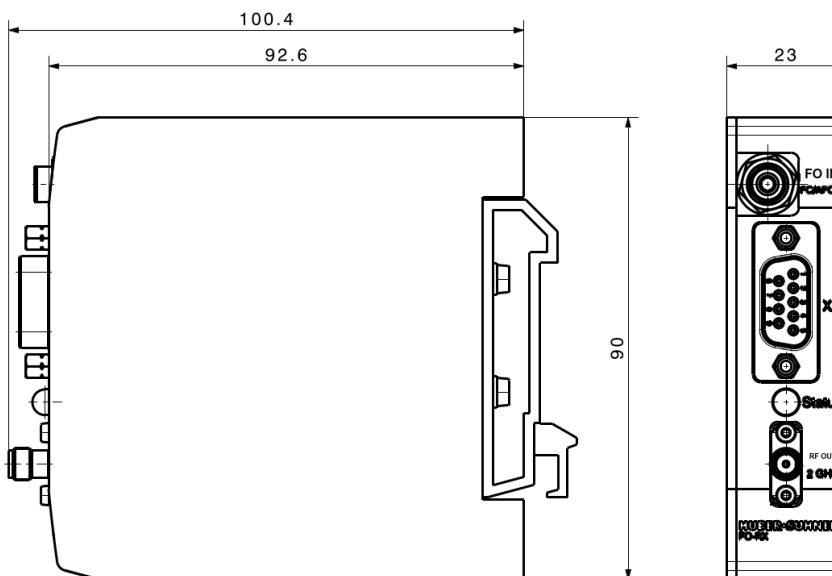
### Dimensions (mm)

Parameters		Value			Remarks
		Min.	Typ.	Max.	
Module weight					
Module dimensions	mm	90 x 100 x 23			
Module weight	g	270			

### RFoF1 – 2 GHz LN 1550 (TX)



### RFoF1 – 2 GHz LN (RX)



## RF-over-Fiber RFoF1 – 2 GHz LN 1550nm

### Control functionalities pinout

The D-Sub 9 connector on the front of the module not only provides power to the RF-Over-Fiber module. In addition information such as Optical power, TX Power Alarm and Temperature are made available as per tables below on both transmit (TX) and receiver (RX) end.



D9 Pin #	Signal Description	Signal Direction	TX		
			Voltage Range	Current	Remark
1	ground	-		-	connected to module / circuit board internal ground
2	+12 V DC supply	input	11 V to 16 V	<250 mA	
3	ground	-	-	-	connected to module / circuit board internal ground
4	optical power monitor	output	$V_{mon} \approx 0.1..0.2V/mW_{opt}$	max. 2 mA	voltage proportional to laser diode emitted average optical power
5	ground	-	-	-	connected to module / circuit board internal ground
6	TX optical power alarm	output	TTL (0: no alarm, 1: alarm)	± max. 25 mA	alarm active if laser power low
7	ground	-	-	-	connected to module / circuit board internal ground
8	PCB temperature	output	10 mV/°C, 750 mV@25 °C, range: -40 .. +125 °C	<50 uA (load)	
9	ground	-	-	-	connected to module / circuit board internal ground

D9 Pin #	Signal Description	Signal Direction	RX		
			Voltage Range	Current	Remark
1	ground	-	-	-	connected to module / circuit board internal ground
2	+12V DC supply	input	11 V to 16 V	<150 mA	
3	ground	-	-	-	connected to module / circuit board internal ground
4	optical power monitor	output	$V_{mon} \approx 0.6..0.8V/mW_{opt}$	max. 2 mA	voltage proportional to average optical power received at fiber-optic input
5	ground	-	-	-	connected to module / circuit board internal ground
6	RX optical power alarm	output	TTL (0: no alarm, 1: alarm)	± max. 25 mA	alarm active if received optical power low (below approx. 0.3mW)
7	ground	-	-	-	connected to module / circuit board internal ground
8	PCB temperature	output	10 mV/°C, 750 mV@25 °C, range: -40 .. +125 °C	<50 uA (load)	
9	ground	-	-	-	connected to module / circuit board internal ground

- RoHS compliant
- EMC protected
- Power supplies are supplied with each module
- DIN 35 brackets are delivered with each module. Other brackets available upon request
- MIL and other certifications are possible upon request
- Various racks and enclosures available

#### Important catalogue links

RF cables: <http://literature.hubersuhner.com/Technologies/Radiofrequency/RFCablesEN/>  
 RF connectors: <http://literature.hubersuhner.com/Technologies/Radiofrequency/RFCConnectorsEN/>  
 FO standard assemblies: <http://literature.hubersuhner.com/Technologies/Fiberoptics/FOcableassembliesEN/>

HUBER+SUHNER is certified according to ISO 9001, ISO 14001, ISO/TS 16949 und IRIS

[www.hubersuhner.com](http://www.hubersuhner.com)

**Waiver:** It is exclusively in written agreements that we provide our customers with warrants and representations as to the technical specifications and/or the fitness for any particular purpose. The facts and figures contained herein are carefully compiled to the best of our knowledge, but they are intended for general informational purposes only.