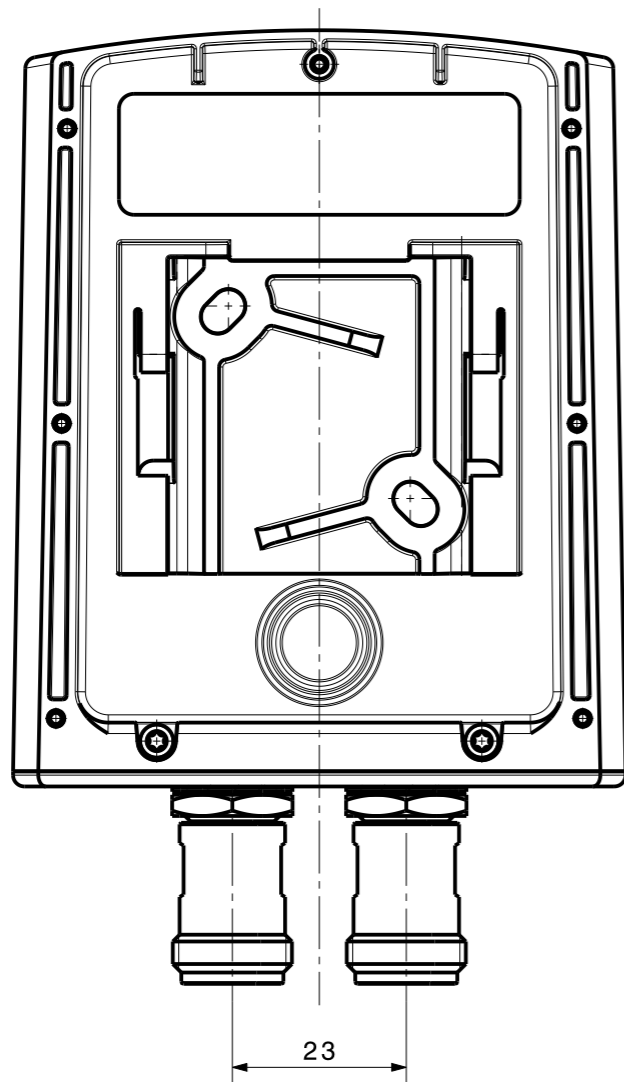
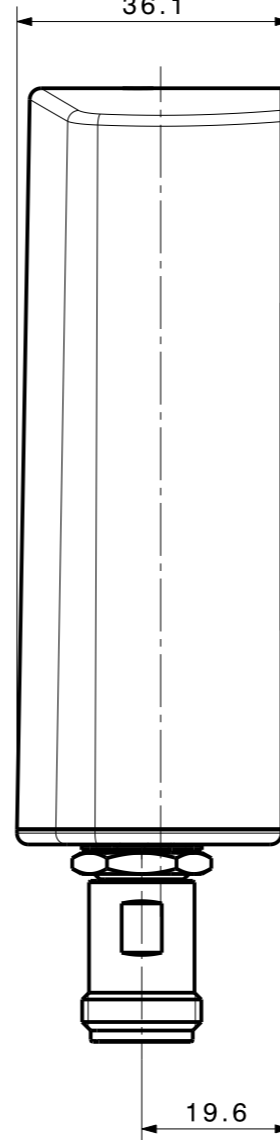


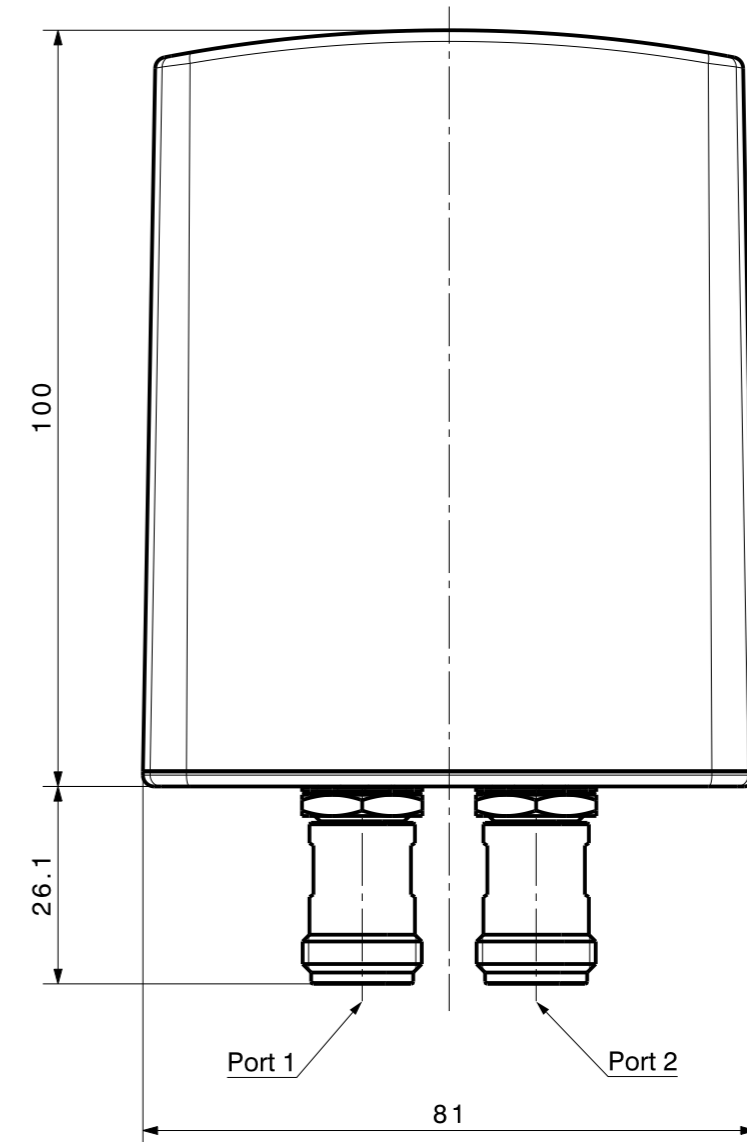
Antenna rear view



36.1



Antenna front view



Polarization definition	
Right slant -45°	Left slant +45°
Antenna rear view	Antenna rear view

Polarization

	Port Description
Port 1	Right slant -45°
Port 2	Left slant +45°

Type: 1357.17.0001

All dimensions after treatment in millimeter (mm)

Assembly drawing

Released date:

alternative ID

3D-ID PRO-01169027 A Sheet: 1 / 1

HUBER+SUHNER

description

Antenna

ID

DOU-01177590 A

Release