

MASTERLINE Flex Box (MLFB)

Description

- Place up to two IANOS modules
- Up to 10 cables for a diameter of 4.8 mm to 7 mm
- Up to 2 adapters (E2000, LC duplex, SC, MTP) or up to 8 slices
- Integrated bend radius protection
- Cable entry by 5 double split grommets for quick installation
- Optional DIN Rail bracket
- Integrated strain relief
- Optional animal proof bracket for cable entry



Technical data

Construction and mechanical data

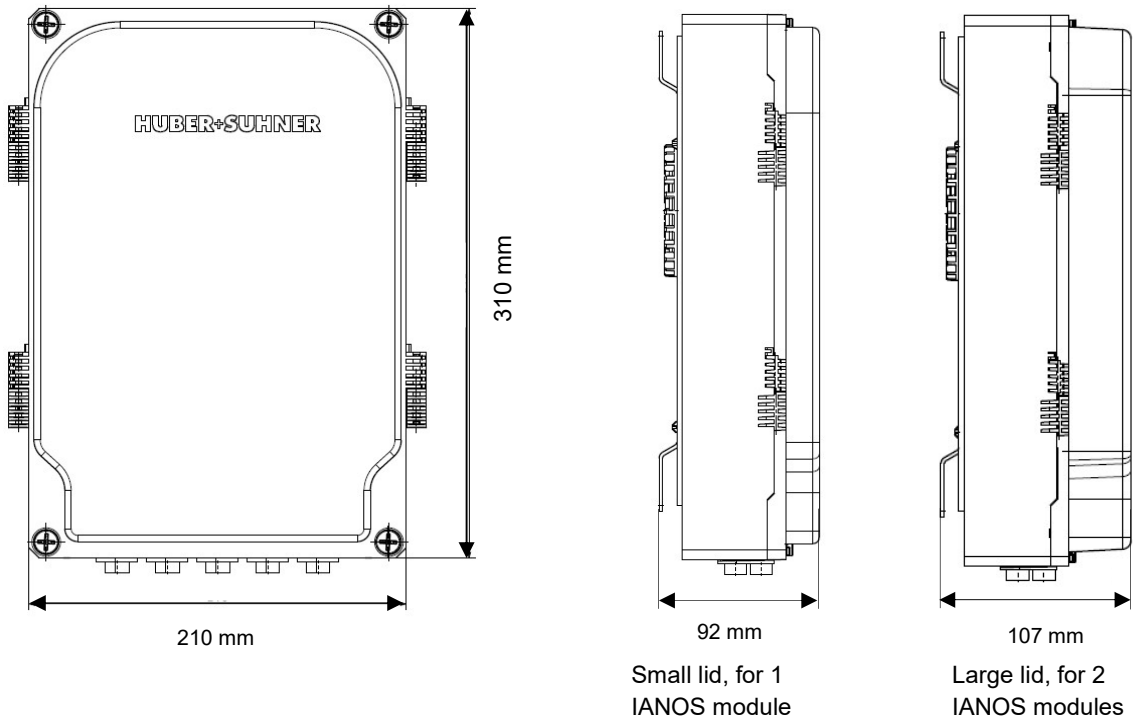
Description	Value/material
Dimensions W x H x D for 1 IANOS module (without DIN rail, without animal proof bracket)	210 x 310 x 90 mm
Dimensions W x H x D for 2 IANOS modules (without DIN rail, without animal proof bracket)	210 x 310 x 106 mm
Weight (without bird bracket without DIN rail, without IANOS modules)	2.1 kg (1 IANOS module), 2.24 kg (2 IANOS modules)
Box material (housing and cover)	Fiberglass polycarbonate
Color	RAL 7035 grey
Box material (bracket)	Stainless steel
Colour	Grey
Cable entry	Split grommets for up to 10 cables (4.8 – 7 mm)
Overlength management	Integrated cable over length storage with snap-in locking
Mounting options	Wall-, pole-, and rail mounting (with additional rail bracket)

Environmental data

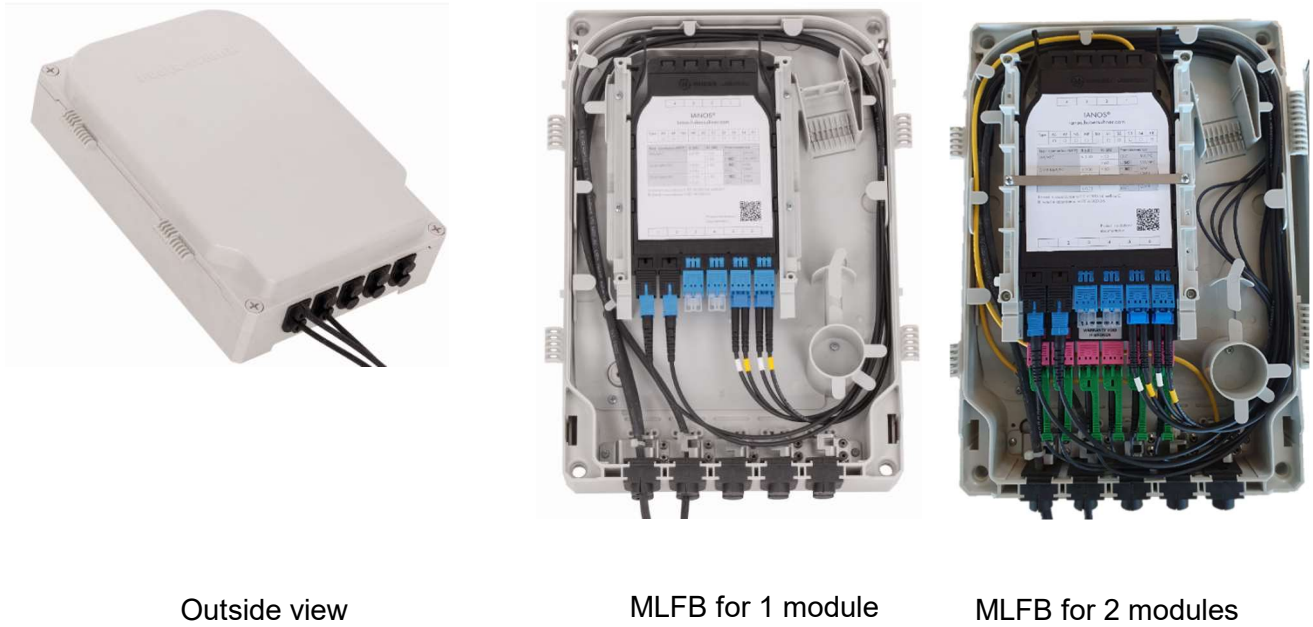
Description	Value
Temperature range during installation	-10°C +50°C (Box only, without module)
Temperature range in service	-40°C +75°C (Box only, without module)
Ingress protection	IP 66
Impact resistance	IK 07
Flammability class	UL94-V0
Halogen-free	Yes (IEC 60754-2)
UV resistance	1000h (ISO 4892-2)

MASTERLINE Flex Box (MLFB)

Technical drawing, outer dimensions



Views

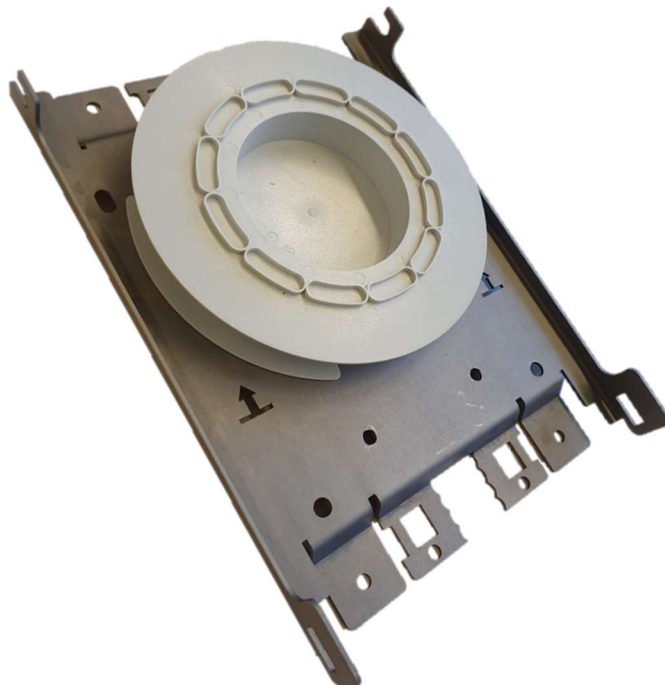
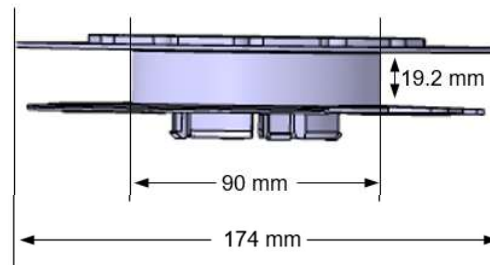
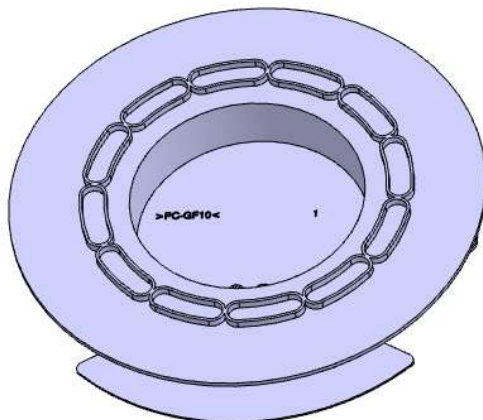


MASTERLINE Flex Box (MLFB)

Overlength management

- Integrated overlength cable storage
- Snap-in locking
- Winding function

Description		
Place for cable (meter)	4.8 mm diameter cable or 5 mm diameter cable or 7 mm diameter cable	8 m 7 m 3 m
Reel material	Fiberglass polycarbonate	
Color	RAL 7035 grey	



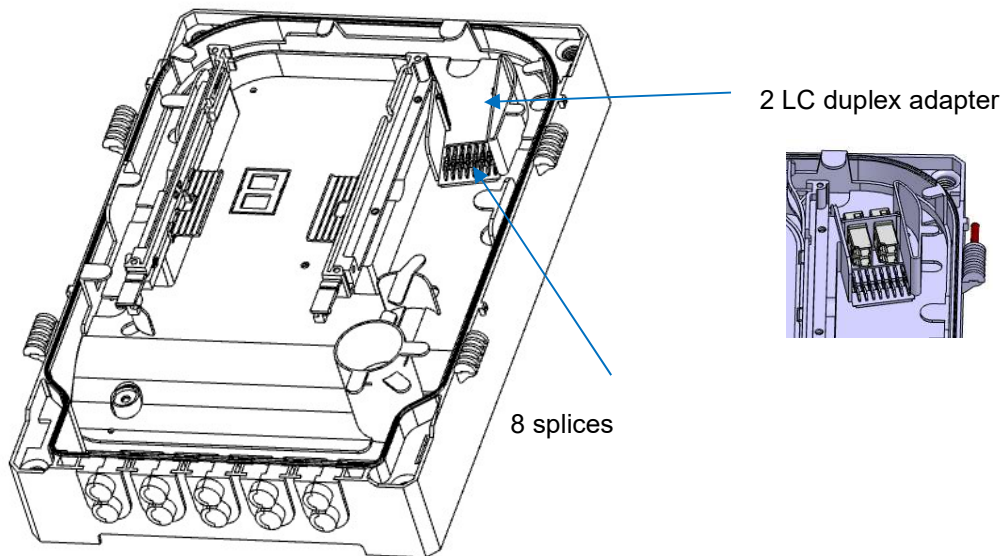
MASTERLINE Flex Box (MLFB)

Termination options

- Integrated 2 LC duplex adapters or 8 splicing clips

Description	
LC duplex adapter	2
Splicing	8 single splices (shrink splice protectors)

The LC duplex adapters and the splices cannot be used in combination.



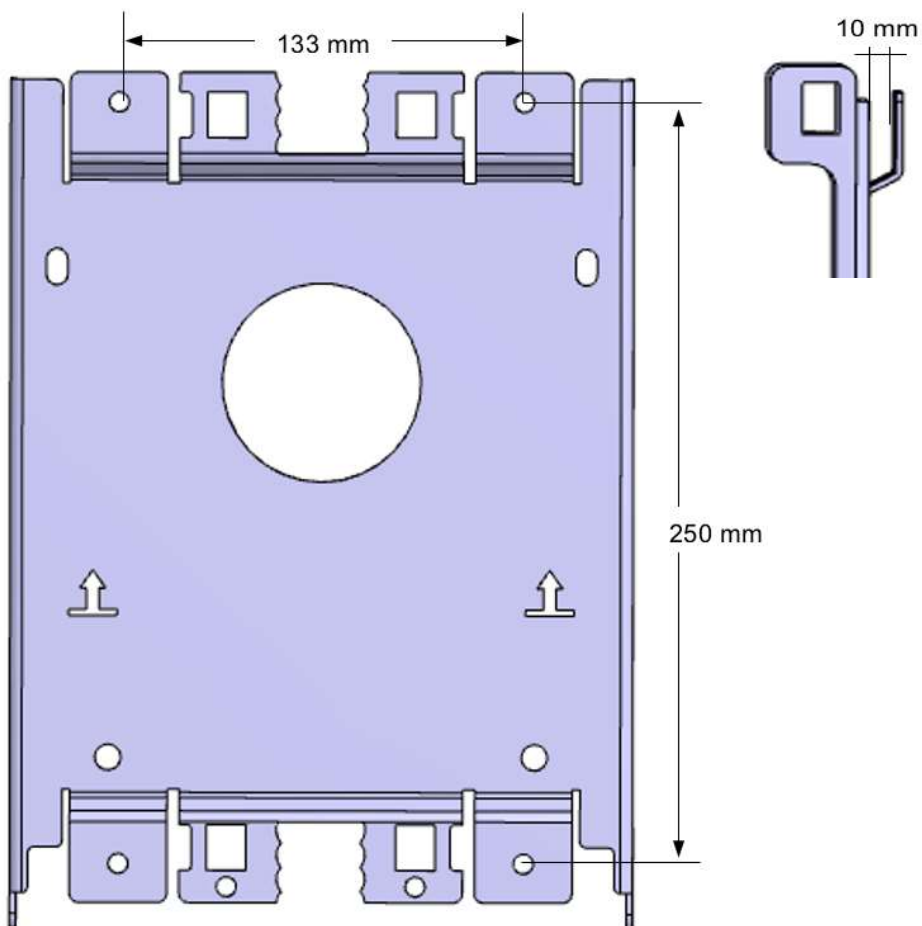
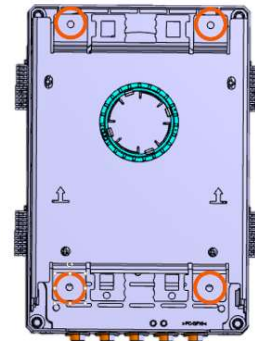
MASTERLINE Flex Box (MLFB)

Mounting opinions

Wall mounting

- Mountable on walls

Description	Values
Number of holes	4
Hole diameter for screws	6.5 mm

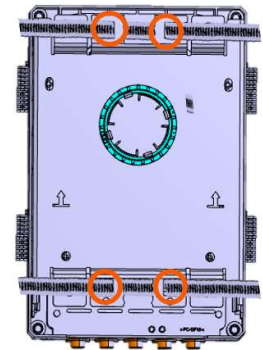


MASTERLINE Flex Box (MLFB)

Pole mounting

- Quick fixing on poles

Description	Values
Number of square holes	4
Hole dimensions	15 x 13 mm
Material	Stainless steel

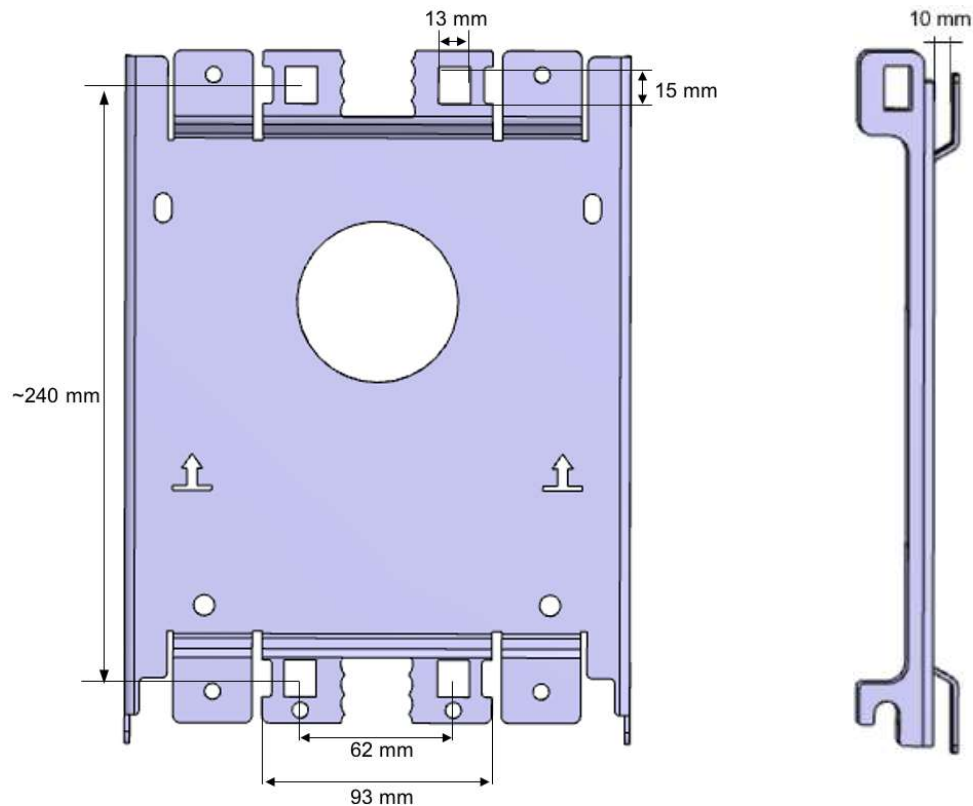


Quick hose clamp

Description	Values
Material	Stainless steel
Material Thickness	0.65 mm
Dimension width	14.2 mm

Description	Part number
Diameter range 30 to 155 mm	84076411
Diameter range 60 to 500 mm	84076412

One set including 2 pieces



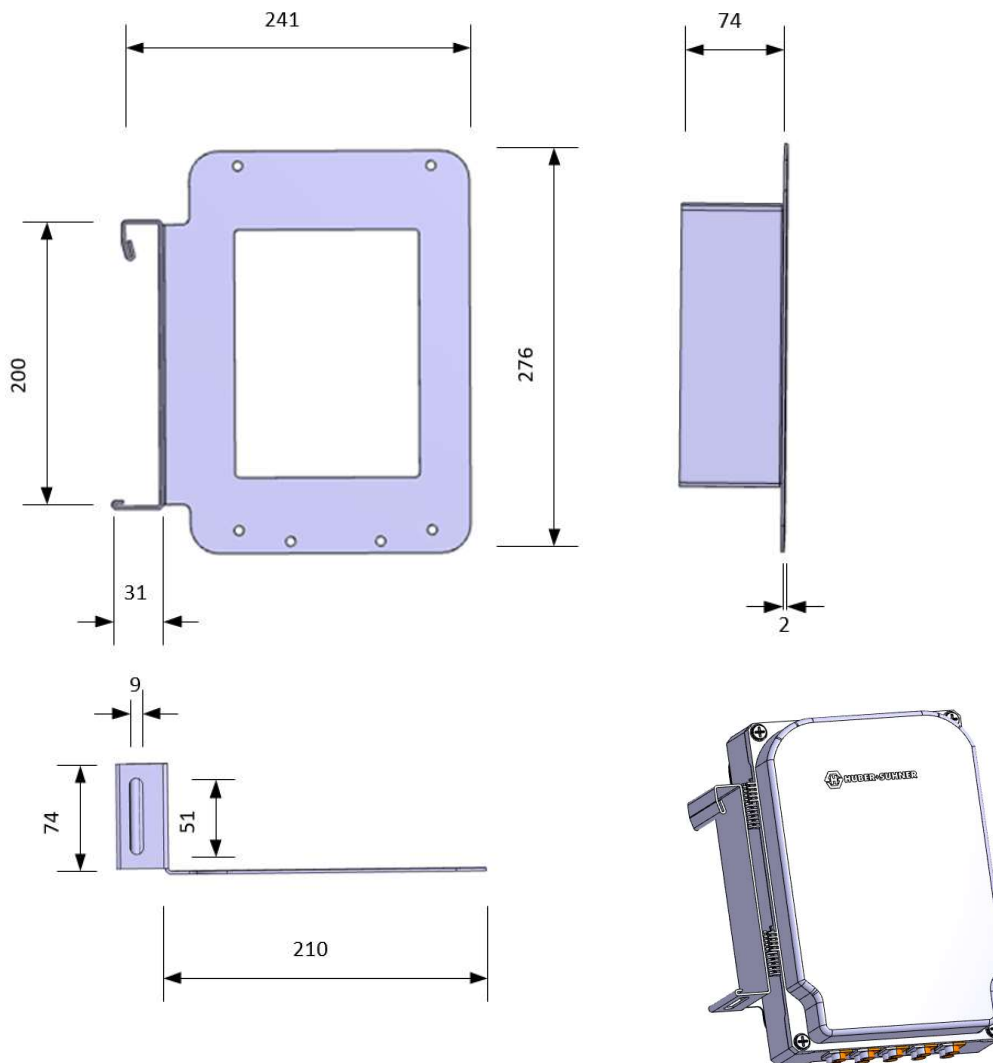
MASTERLINE Flex Box (MLFB)

Rail mounting

- Hook-in function
- Simple and quick installation
- Available in different shapes

Description	
Material (rail)	Stainless steel
Color	Grey

Description	Part number
Bracket for Ericsson Rail	85121343



MASTERLINE Flex Box (MLFB)

Supported modules (selected choice, not exclusive)

Splice modules

Description	
Dimension (H x W x D)	190.1 x 96.7 x 11.9 (mm)
Fiber input	Cable 12 fiber
Fiber output	6 x LC duplex



Description	Item number
Splice module, front 06 x LCD adaptor blue (PC), rear OS2, splice protectors: heat-shrink	85115852
Splice module, front 06 x LCD adaptor blue (PC), rear OS2, splice protectors: sandwich	85115851
Splice module, front 06 x LCD adaptor green (APC), rear OS2, splice protectors: heat-shrink	85115854
Splice module, front 06 x LCD adaptor green (APC), rear OS2, splice protectors: sandwich	85115853
Splice module, front 06 x LCD adaptor heather violet (PC), rear OM4, splice protectors: heat-shrink	85115850
Splice module, front 06 x LCD adaptor heather violet (PC), rear OM4, splice protectors: sandwich	85115849

Transition modules

Description	
Dimension (H x W x D)	172 x 96.7 x 11.9 (mm)
Fiber input	MTP 12 fiber
Fiber output	6 x LC duplex



Description	Item number
Transition module SM, front 06 x LCD adaptor green (APC), rear MTP12 (green), polarity AP	85072947
Transition module SM, front 06 x LCD adaptor green (APC), rear MTP12 (green), polarity AS	85073357
Transition module SM, front 06 x LCD adaptor blue (UPC), rear MTP12 (green), polarity AP	85073356
Transition module SM, front 06 x LCD adaptor blue (UPC), rear MTP12 (green), polarity AS	85072946
Transition module OM3, front 06 x LCD adaptor aqua (UPC), rear MTP12 (black), polarity AP	85072943
Transition module OM3, front 06 x LCD adaptor aqua (UPC), rear MTP12 (black), polarity AS	85072942
Transition module OM4, front 06 x LCD adaptor violet (UPC), rear MTP12 (black), polarity AS	85072944
Transition module OM4, front 06 x LCD adaptor violet (UPC), rear MTP12 (black), polarity AP	85072945

Patch modules

Description	
Dimension (H x W x D)	165 x 96.7 x 11.9 (mm)
Fiber input	MTP or LC duplex
Fiber output	MTP or LC duplex



Description	Item number
Patch module SM, front 06 x MTP, adapter black	85116941
Patch module SM, front 06 x LC duplex (APC), adapter green	85073353
Patch module SM, front 06 x LC duplex (UPC), adapter blue	85072924
Patch module MM, front 06 x LC duplex (OM3), adapter aqua	85073354
Patch module MM, front 06 x LC duplex (OM4), adapter violet	85073355

This is only a selected choice of IANOS modules. For other modules please contact HUBER+SUHNER.

MASTERLINE Flex Box (MLFB)

Ordering information

Description	Item number
MASTERLINE Flex Box for 1 IANOS module	85114792
MASTERLINE Flex Box for 2 IANOS modules	85144638

Related documents

Wireless Infrastructure Small Cell catalogue

Document number

DOC-0000864566