

# Data Sheet

## Masterline Ultimate Micro (MLUM)

### Description

- Compact design
- Up to 4x Q-ODC-2 with 1x Q-ODC-12 input or 1x gland
- Up to 6x Q-ODC-2 mini with 1x Q-ODC-12 input or 1x gland
- Strong stainless steel bracket
- UV protection
- Cable input range 4.0 - 8.0 mm



### Technical data

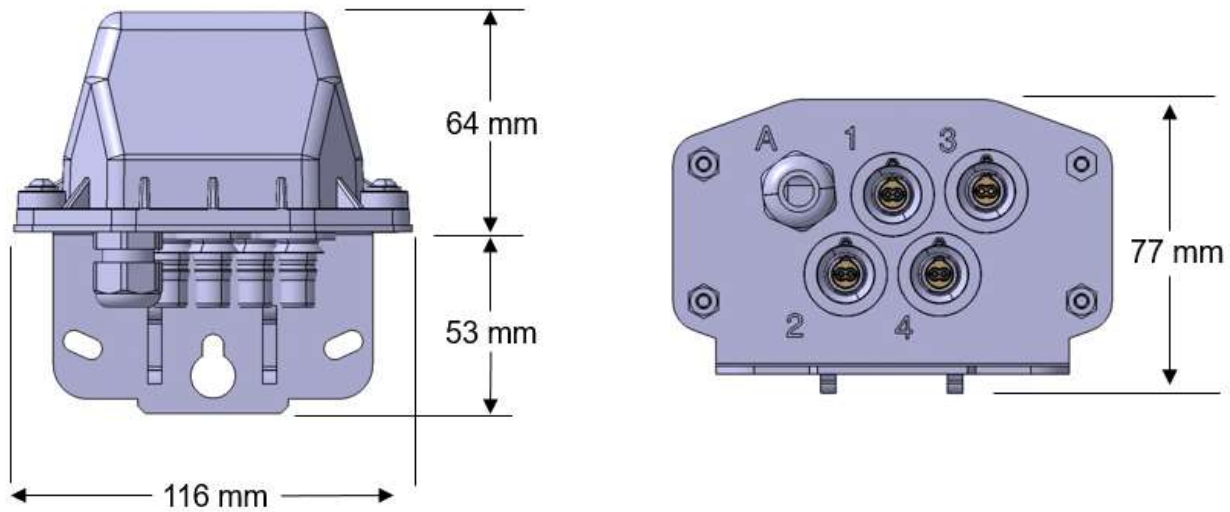
#### Construction and mechanical data

Description	Value/material
Dimension W x H x D,	116x117x77
Weight (without cable)	0.3 kg
Material (Cover)	UV stabile polycarbonate
Color (cover)	Black
Material (bracket)	Stainless steel
Color (bracket)	Metal color
Application area	Indoor and outdoor
Cable length	Up to 200 m
Number of ports sockets (output)	4 x Q-ODC-2, 6 x Q-ODC-2 mini
Mounting options	Wall or pole mounting

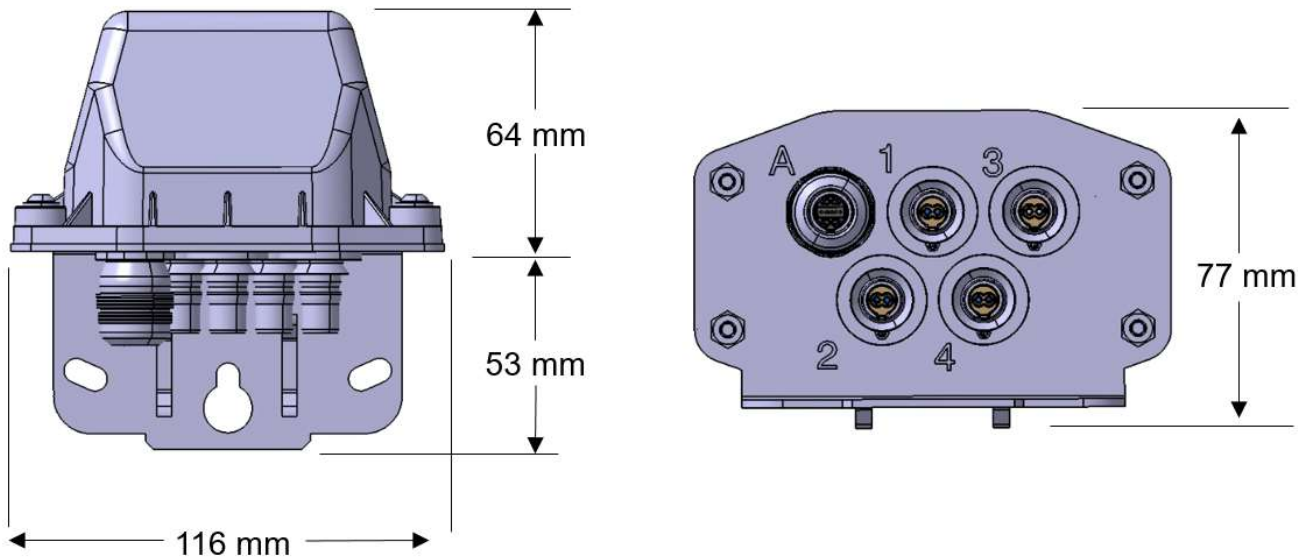
#### Environmental data

Description	Value
Temperature range during installation	-10°C +50°C
Temperature range in service	-40°C +75°C
Ingress protection	IP 68
Impact resistance	IK 07
Flammability class	UL94-V0
Halogen free	Yes (IEC 60754-2)
UV resistance	1000h (ISO 4892-2)

**Technical drawing, outer dimensions with cable gland**

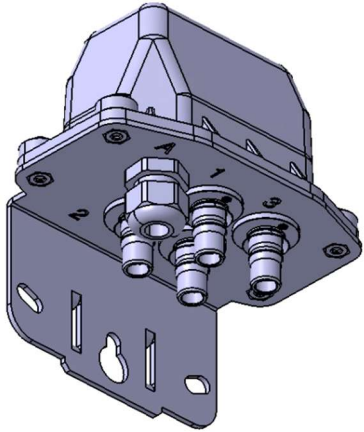


**Technical drawing, outer dimensions with Q-ODC-12**

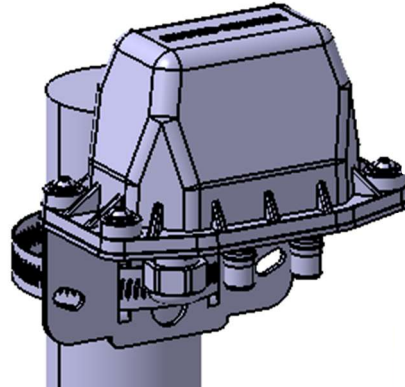


**Different views of MLUM**

---



Bottom up view



Top down

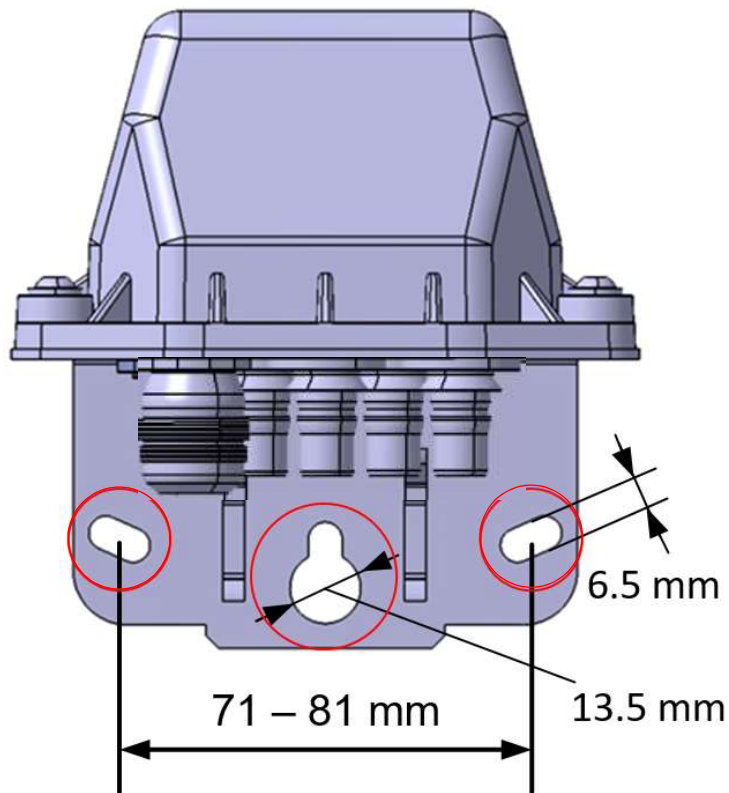
# Data Sheet

## Masterline Ultimate Micro (MLUM)

### Wall mounting

- Fixing on wood, stone or metal wall with screws
- 2 options for fixing

Description	Size
Metric screw	M4 – M6
UNC screw	24
UNF screw	32
Inch screw	3/16 – 7/32



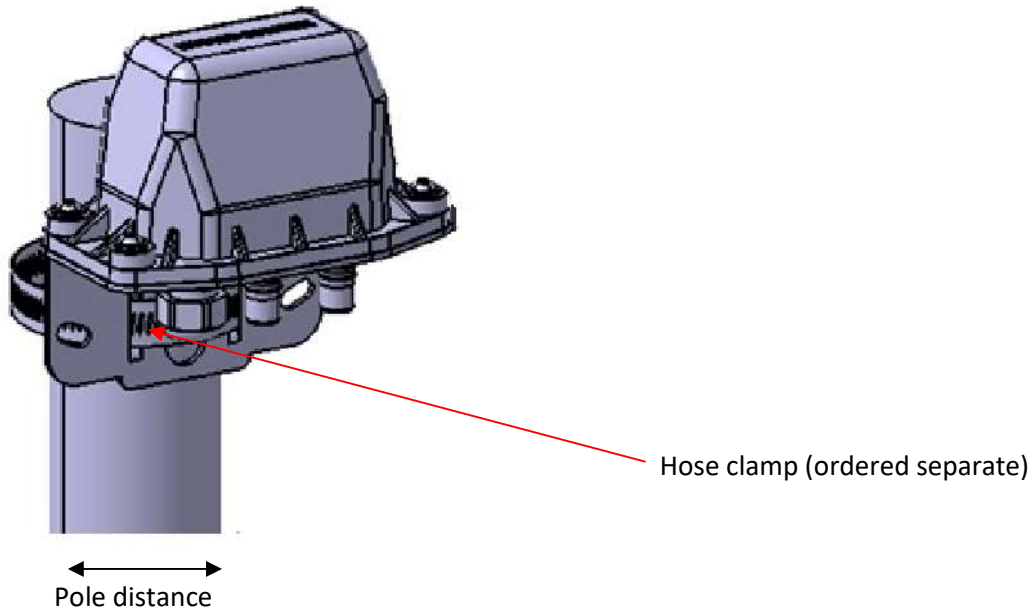
# Data Sheet

## Masterline Ultimate Micro (MLUM)

### Pole mounting

- Fixing with hose clamps on metal, wood, plastic- or stone poles
- Easy and fast installing and removing

Pole	Hose clamp Item number
Poles with diameter 30 – 155 mm (1.2 in – 6. in)	84076411
Poles with diameter 60 – 500 mm (2.4 in – 19.6 in)	84076412



# Data Sheet

## Masterline Ultimate Micro (MLUM)

### Ordering information

Description	Entry port	Exit port	Cable length [m]	Cable connector type	Item number
MLUM-J1060-LCAUGLND3QOU1006-SS	Gland	3 x Q-ODC-2	6	3 x LCD	85142312
MLUM-J1060-LCAUGLND3QOU1008-SS	Gland	3 x Q-ODC-2	8	3 x LCD	85142311
MLUM-J1060-LCAUGLND3QOU1010-SS	Gland	3 x Q-ODC-2	10	3 x LCD	85142307
MLUM-J1060-LCAUGLND3QOU1012-SS	Gland	3 x Q-ODC-2	12	3 x LCD	85142308
MLUM-J1060-LCAUGLND3QOU1016-SS	Gland	3 x Q-ODC-2	16	3 x LCD	85142309
MLUM-J1060-LCAUGLND3QOU1020-SS	Gland	3 x Q-ODC-2	20	3 x LCD	85142310
MLUM-J1080-LCAUGLND4QOU1006-SS	Gland	4 x Q-ODC-2	6	4 x LCD	85142301
MLUM-J1080-LCAUGLND4QOU1008-SS	Gland	4 x Q-ODC-2	8	4 x LCD	85142302
MLUM-J1080-LCAUGLND4QOU1010-SS	Gland	4 x Q-ODC-2	10	4 x LCD	85126074
MLUM-J1080-LCAUGLND4QOU1012-SS	Gland	4 x Q-ODC-2	12	4 x LCD	85142303
MLUM-J1080-LCAUGLND4QOU1016-SS	Gland	4 x Q-ODC-2	16	4 x LCD	85142304
MLUM-J1080-LCAUGLND4QOU1020-SS	Gland	4 x Q-ODC-2	20	4 x LCD	85142305
MLUM-J1060-NNNNQOP93QOU1000-SS	Q-ODC-12	3 x Q-ODC-2	N/A	N/A	85135496
MLUM-J1080-NNNNQOP94QOU1000-SS	Q-ODC-12	4 x Q-ODC-2	N/A	N/A	85142329

### Related documents

Wireless infrastructure catalog:

### Document number

DOC-0000869072