

LAN-over-Fiber LANoF6 – 1 Gbps

Description

The LAN-over-Fiber media converter module (LANoF6 – 1 Gbps) supports the IEEE 802.3 Standard 1000 Base-SX fiber. It enables existing copper connections to interface with fiber connections over a distance up to 20 km. It does so by converting 1000 Base-T (copper) media into 1000 Base-SX (fiber) media; and allows the media to be converted back from fiber to copper. The 10/100/1000 Base-T port supports full duplex connectivity at wire speed using RJ45 connectors.



Features

- 1 Gigabit bit rate (1 channel)
- IEEE 802.3 (u/ab/z/x) compliant.
- Half / full duplex
- Auto-MDI/MDI-X and auto-negotiation
- Single Mode

Applications

- Where superior performance, distance and security are required.
- Where form factor is a key constraint.

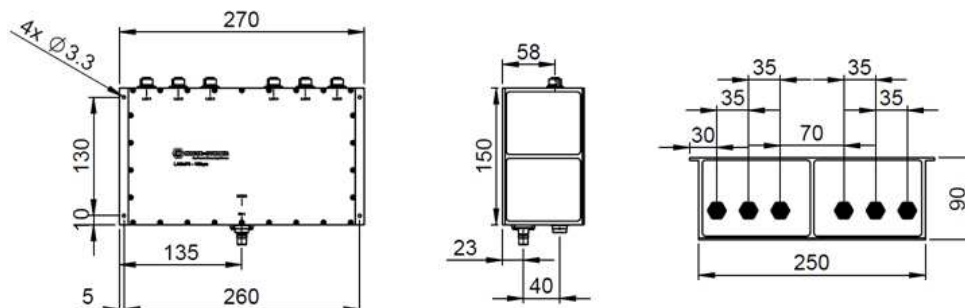
Order Information

Item Description	Item Number
LANoF6 – 1 Gbps	85065410

Electrical Data

Parameters		Value			Remarks
		Min.	Typ.	Max.	
All specifications at 25°C case Temperature T _c , unless otherwise specified					
Bit Rate	Mbps	10		1000	
Operating Distances (TP)	km			0.1	10/100/1000BaseT Cat. 5, 5E, 6 UTP/STP
Operating Distances (1000Base LX)	km			20	8.3/125 um LWL, 8.7/125 um LWL, 9/125 um LWL, 10/125 um LWL
Supply voltage VS	VDC	+5		+5	2A
Power Consumption	W			3	
Temperature range (OTR)	Operating	°C	-0	+50	
	Storage	°C	-20	+70	
Module mass	kg	0.25			
Module dimensions	mm	92.5 x 65.0 x 42.0			L x B x H
Fiber type		9/125 um single mode LWL			
Fiber connector		Q-ODC-12			
LAN connectors		RJ45			Alternatives available upon request.

Dimensions (mm)



LAN-over-Fiber LANoF6 – 1 Gbps

Additional Information

- All modules are RoHS Compliant
- All modules are EMC protected
- MIL and other certifications are possible upon request .
- All modules are single packaged

Important catalogue links

RF Cables: <http://literature.hubersuhner.com/Technologies/Radiofrequency/RFCablesEN/>

RF Connectors: <http://literature.hubersuhner.com/Technologies/Radiofrequency/RFCconnectorsEN/>

FO Standard Assemblies: <http://literature.hubersuhner.com/Technologies/Fiberoptics/FOcableassembliesEN/>

Application Notes

Potential Applications

- SATCOM
- Laboratories / Test Environments
- Shelters
- Aircraft
- Vehicles